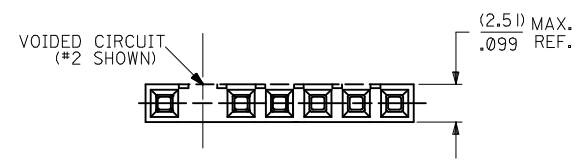
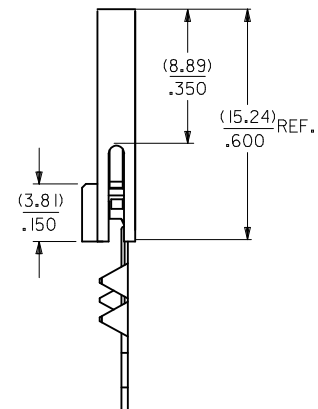
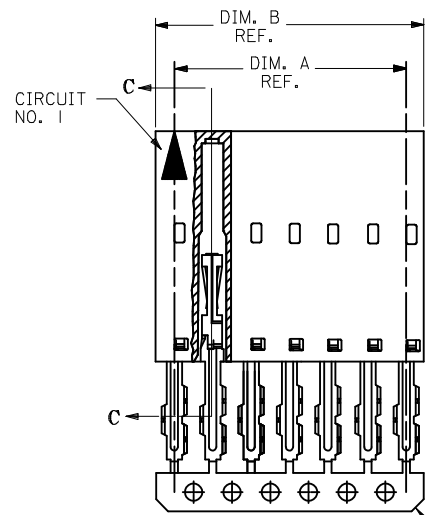


"A" - OPTION

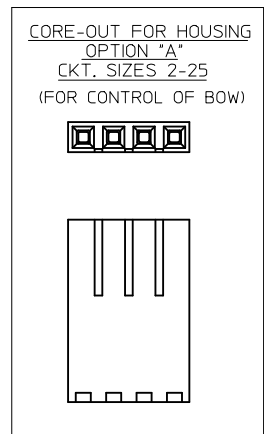
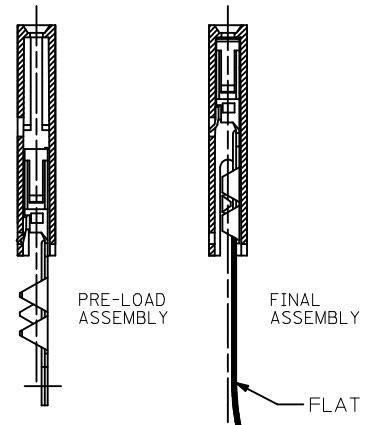
CKT. SIZE	VOID. CKT.	EDP. NO.	A	B
7	2	015-47-9079	(15.24) .600	(17.75) .699
16	2	015-47-9169	(38.10) 1.500	(40.61) 1.599



7 CIRCUIT SHOWN



SECTION C-C



PLATING CODE (STRIPE ON CARRIER STRIP)	
PLATING	COLOR
TIN	NONE

- HOUSING MATERIAL: GLASS FILLED POLYESTER, UL94V-0, COLOR: BLACK.
TERMINAL MATERIAL: PHOSPHOR BRONZE.
PLATING TIN- 3.81 MICROMETERS/150 MICROINCHES MINIMUM TIN OVER
1.27 MICROMETERS/50 MICROINCHES MINIMUM NICKEL PLATE.
- PRE LOADED ASSEMBLY TO BE USED WITH (0.30)/.012 MAX. THICK FLAT CABLE WITH (1.57)/.062 WIDE COPPER CONDUCTORS ON (2.54)/.100 CENTERS OR, (0.13)/.005-(0.28)/.011 THICK MYLAR WITH (1.02)/.040 - (1.65)/.065 WIDE SILVER INK CONDUCTORS ON (2.54)/.100 CENTERS.
- PRODUCT SPECIFICATION: PS-70430.
- STANDARD PACKING PER PK70873-0001 SHALL BE USED.
- SEE CHART FOR CIRCUIT SIZES, "A" AND "B" DIMENSIONS.
- TWO (2) CIRCUIT ASSEMBLIES SUPPLIED AS GROUPED PAIRS.
- PART MATES WITH (0.64)/.025 SQ. PINS, (8.13)/.320 TO (5.08)/.200 LONG ON (2.54)/.100 CENTERS.
- PARTS CONFORM TO CLASS B COSMETIC SPECIFICATION PS-45499-002.

THE PRIMARY CARTON WITH A LABEL STATING "ELV AND RoHS COMPLIANT" IS LEAD FREE. CARTONS WITHOUT THIS LABEL MAY CONTAIN LEAD.

STANDARDIZE EC NO: UCP2013-2452 DRWNR:WHIPPLE 2012/12/18 CHKD:JMORGAN 2012/12/18 APPR:SMILLER 2013/01/31	DESCRIPTION REV	QUALITY SYMBOLS ▽=0 ▽=0 ▽=0	GENERAL TOLERANCES (UNLESS SPECIFIED) mm INCH 4 PLACES ± --- ± --- 3 PLACES ± --- ± .010 2 PLACES ± 0.25 ± .015 1 PLACE ± 0.38 ± --- 0 PLACE ± --- ± ---	DIMENSION STYLE MM/IN DRAWN BY DATE JWG 1986/07/21 CHECKED BY DATE RSF 1986/07/21 APPROVED BY DATE SMILLER 2013/01/31	SCALE DESIGN UNITS INCH	THIRD ANGLE PROJECTION
		ANGULAR ±1/2° DRAFT WHERE APPLICABLE MUST REMAIN WITHIN DIMENSIONS	MATERIAL NO. SEE TABLE	TITLE VOIDED CIRCUIT ASSEMBLY CONNECTOR, F.F.C. FEMALE SINGLE ROW, (2.54)/.100		
		SIZE THIS DRAWING CONTAINS INFORMATION THAT IS PROPRIETARY TO MOLEX INCORPORATED AND SHOULD NOT BE USED WITHOUT WRITTEN PERMISSION	DOCUMENT NO. SDA-70430-9001	SHEET NO. 1 OF 1		
		MOLEX				