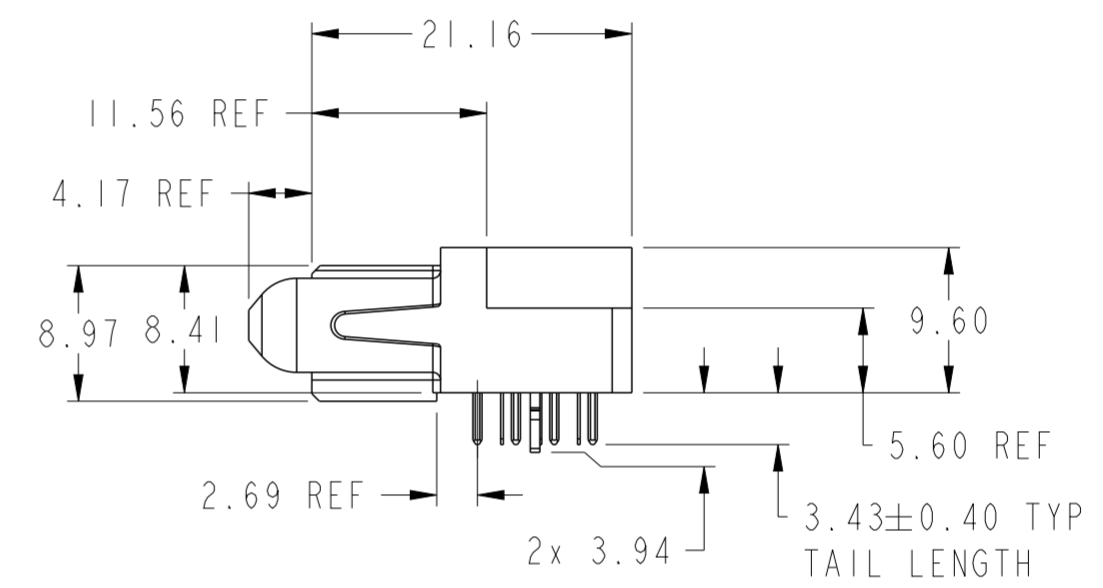
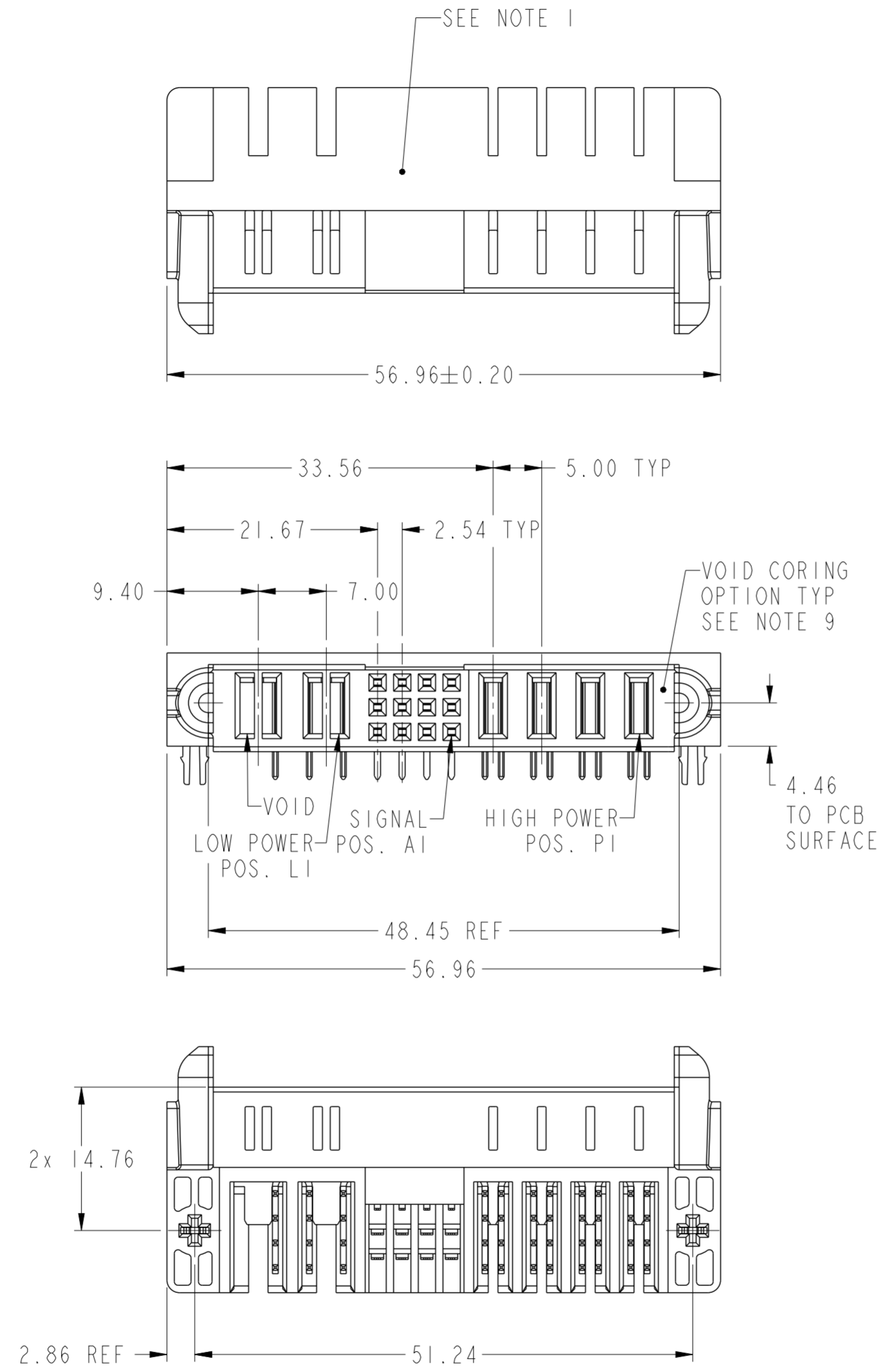


PRODUCT NUMBER
10127401-00HI420LF



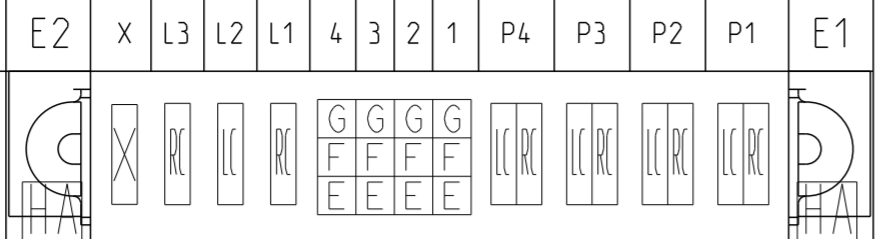
spec ref	-	dr	T Brungard	2014/04/10	projection	mm	size	A2	scale	2:1	
tolerance std	ASME Y14.5	eng	De-Ming Lu	2015/12/29		mm	ecn no	-	rel level	Released	
TOLERANCES UNLESS OTHERWISE SPECIFIED		chr	Fancy Zhang	2015/12/29							
		appr	Pei-Ming Zheng	2015/12/29							
surface	ASME Y14.5	linear	0.X	±0.5	0.XX	±0.25	0.XXX	±0.130	angular	0°	±2°
				4HP+12S+3LP, SOLDER-TO-BOARD R/A RECEPTACLE, PwrBlade ULTRA		cat. no.	10127401-00HI420	rev	A	Product - Customer Drw	sheet 1 of 3

Copyright FCI.
FCI

PRODUCT NO.

ROWS

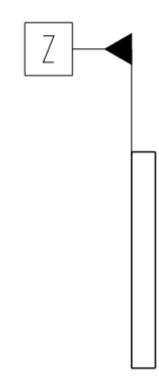
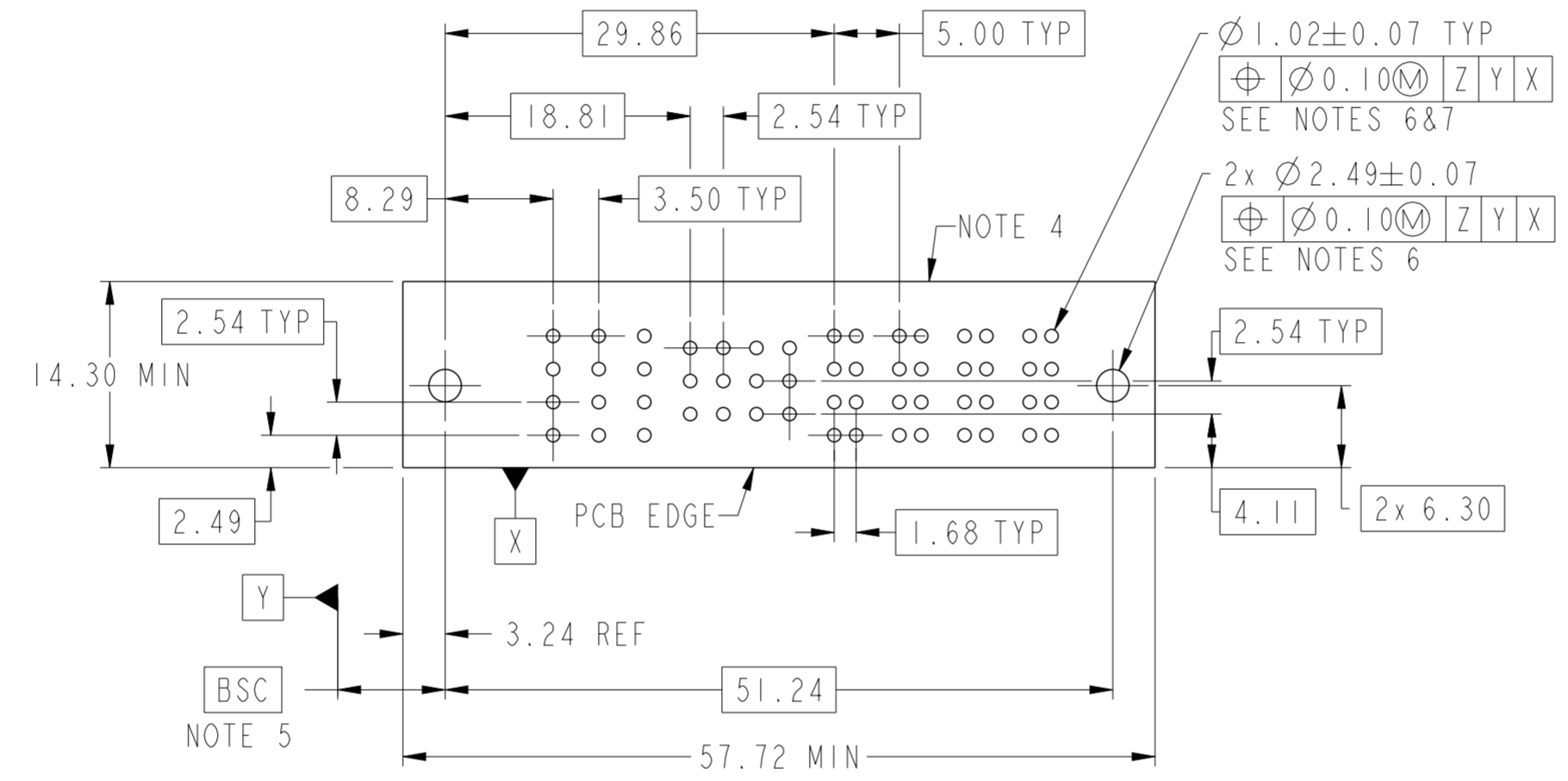
LOW POWER SIGNAL HIGH POWER



10127401-00H1420LF

C
B
A

CODE	DESCRIPTION
RC	RIGHT POWER CONTACT
LC	LEFT POWER CONTACT
E	SIGNAL CONTACT
F	SIGNAL CONTACT
G	SIGNAL CONTACT
HA	HOLD DOWN
X	OMITTED



spec ref	-	dr	T Brungard	2014/04/10	projection	mm	size	A2	scale	2:1	
tolerance std	ASME Y14.5	eng	De-Ming Lu	2015/12/29			ecn no	-	rel level	Released	
TOLERANCES UNLESS OTHERWISE SPECIFIED		chr	Fancy Zhang	2015/12/29							
		appr	Pei-Ming Zheng	2015/12/29							
surface	ASME Y14.5	linear	0.X	±0.5	0.XX	±0.25	0.XXX	±0.130	angular	0°	±2°
www.fci.com				4HP+12S+3LP, SOLDER-TO-BOARD R/A RECEPTACLE, PwrBlade ULTRA		10127401-00H1420		rev A			
cat. no.		-		Product - Customer Drw		sheet 2 of 3					

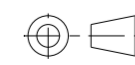
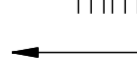

Copyright FCI. FCI

PRODUCT NUMBER
10127401-00H1420LF

NOTES:

1. "FCI", PART NUMBER AND DATE CODE TO BE MARKED ON THIS SURFACE. THE P/N CAN BE OMITTED IF THERE IS NOT ENOUGH SPACE ON THIS SURFACE.
2. MATERIALS:
HOUSING: GLASS FILLED WITH HIGH TEMP POLYAMIDE, UL94V-0.
POWER CONTACTS: COPPER ALLOY.
SIGNAL CONTACTS: COPPER ALLOY.
HOLD DOWN: COPPER ALLOY.
3. PLATING SPECIFICATION: FCI 10135186.
4. DENOTES CONNECTOR KEEP OUT ZONE.
5. DATUM AND BASIC DIMENSION ARE ESTABLISHED BY CUSTOMER.
6. ALL HOLE DIAMETERS ARE FINISHED HOLE SIZES.
7. 1.150±0.025mm DRILLED HOLE PLATED WITH 7.62µm MIN Sn OVER 25.4µm-76.2µm Cu PLATING TO ACHIEVE A 1.02±0.07mm FINISHED HOLE.
8. PRODUCT SPECIFICATION: FCI GS-12-1176.
APPLICATION SPECIFICATION: FCI GS-20-0389.
PRODUCT PACKAGE SPECIFICATION: FCI GS-14-2354.
9. THE VOID CORING BETWEEN POWER MODULES, SIGNAL MODULES AND END MODULES ARE OPTIONAL AND THE SHAPE MAY BE DIFFERENT TO OPTIMIZE THE MOLDING PROCESS. THE VOID CORING WILL NOT EFFECT THE PRODUCT FUNCTION.

Copyright FCI. FCI

spec ref	-	dr	T Brungard	2014/04/10	projection	mm	size	A2	scale	2:1	
tolerance std	-	eng	De-Ming Lu	2015/12/29			ecn no	-	rel level	Released	
ASME Y14.5	TOLERANCES UNLESS OTHERWISE SPECIFIED	chr	Fancy Zhang	2015/12/29							
		appr	Pei-Ming Zheng	2015/12/29							
surface	✓	linear	0.X	±0.5		title 4HP+12S+3LP, SOLDER-TO-BOARD R/A RECEPTACLE, PwrBlade ULTRA	dwg no 10127401-00H1420	rev A	cat. no. -	Product - Customer Drw	sheet 3 of 3
			0.XX	±0.25							
			0.XXX	±0.130							
ASME Y14.5		angular	0°	±2°	www.fci.com						