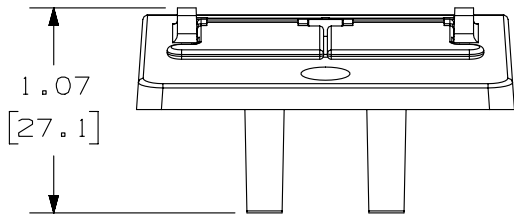
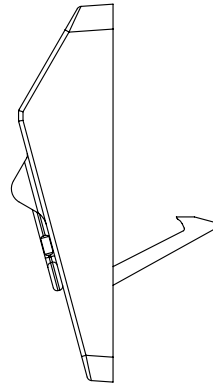
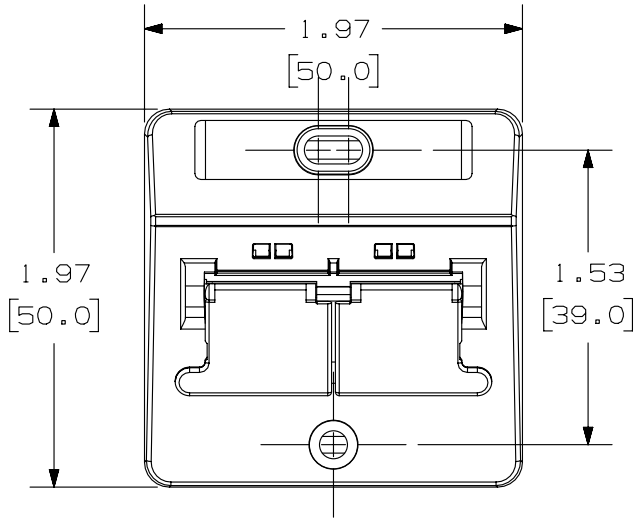


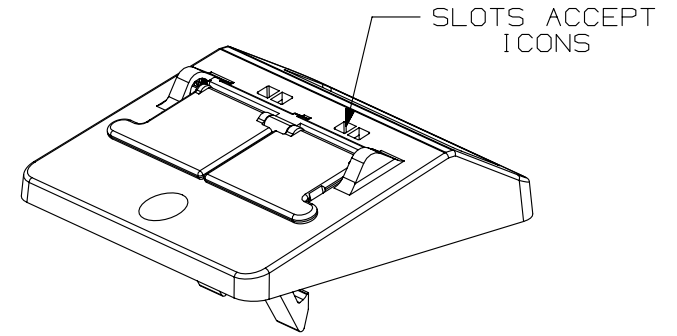
THIS COPY IS PROVIDED ON A RESTRICTED BASIS AND IS NOT TO BE USED IN ANY WAY DETRIMENTAL TO THE INTERESTS OF PANDUIT CORP.



| | |
|-------------|----------------------------------|
| PANDUIT P/N | WEIGHT |
| CHES2S**Y | .79 LB/10 PCS (356.5g/10 PCS) |

NOTES:

- SEE CURRENT CATALOG FOR ADDITIONAL PART NUMBER SUFFIXES TO INDICATE COLOR AND OR PACKAGE QUANTITY.
- SEE CATALOG FOR COMPLETE LIST OF PARTS APPLICABLE FOR USE WITH THIS PART.
- PART INCLUDES:
 - 1- FACEPLATE
 - 1- LABEL
 - 1- LABEL COVER
 - 2- MOUNTING SCREW
 - 1- SUPPORT RING
- DIMENSIONS IN PARENTHESES ARE IN METRIC.



| | | | |
|---|---------|-----------------|-------|
| PART NUMBER | | CHES2S**Y | |
| TITLE | | | |
| MINI-COM 2 POSITION SLOPED SHUTTERED 50mm X 50mm FACEPLATE | | | |
| CUSTOMER DRAWING | | | |
| ITEM REVISION NAME | | M00764AA/02 | |
| DATASET FILE NAME | | M00764AA_DC/02A | |
| UNLESS OTHERWISE SPECIFIED, DIMENSIONAL TOLERANCES ARE: IN [mm] | | MATERIAL: | |
| .x ± .xxx ± .010 [.3] | | ABS | |
| .xx ± .03 [.8] ANGLES ± | | DRAWING NUMBER: | |
| THIRD ANGLE PROJECTION | | 00764-06 | |
| DRAWN BY | DATE | CHK | SCALE |
| JSP | 5-4-00 | SEZ | NONE |
| REV | DATE | BY | CHK |
| | | | |
| 1 | 4/23/14 | JSP | REFR |
| R | 5-4-00 | JSP | SEZ |
| DESCRIPTION | | ECN | |
| A. REVISED DRAWING TITLE BLOCK. | | 00764-06 | |
| RELEASED TO PRODUCTION | | 00764-06 | |
| SHT 1 OF 1 | | A | |

D10100DA/14

2

1

2

1