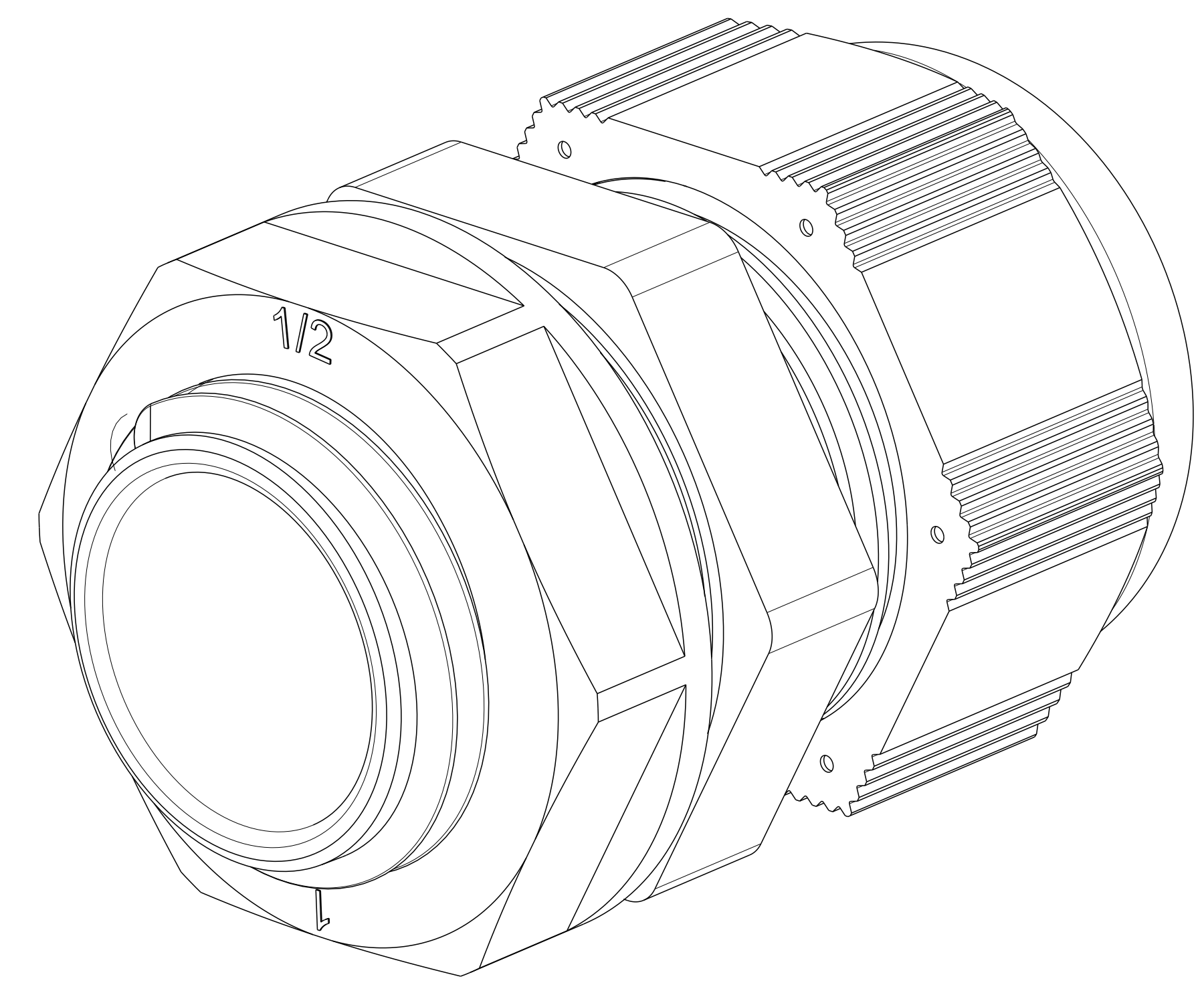
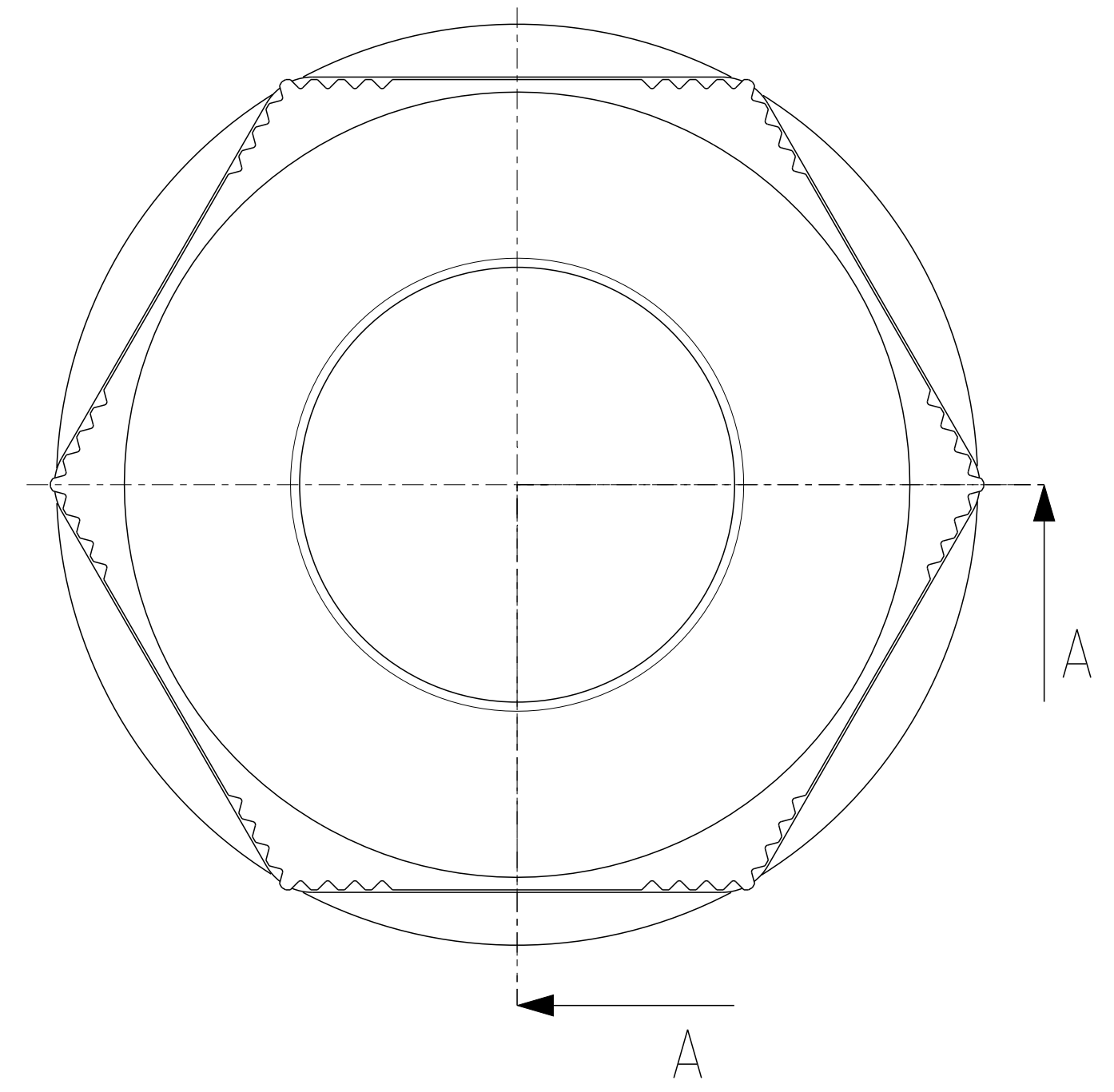
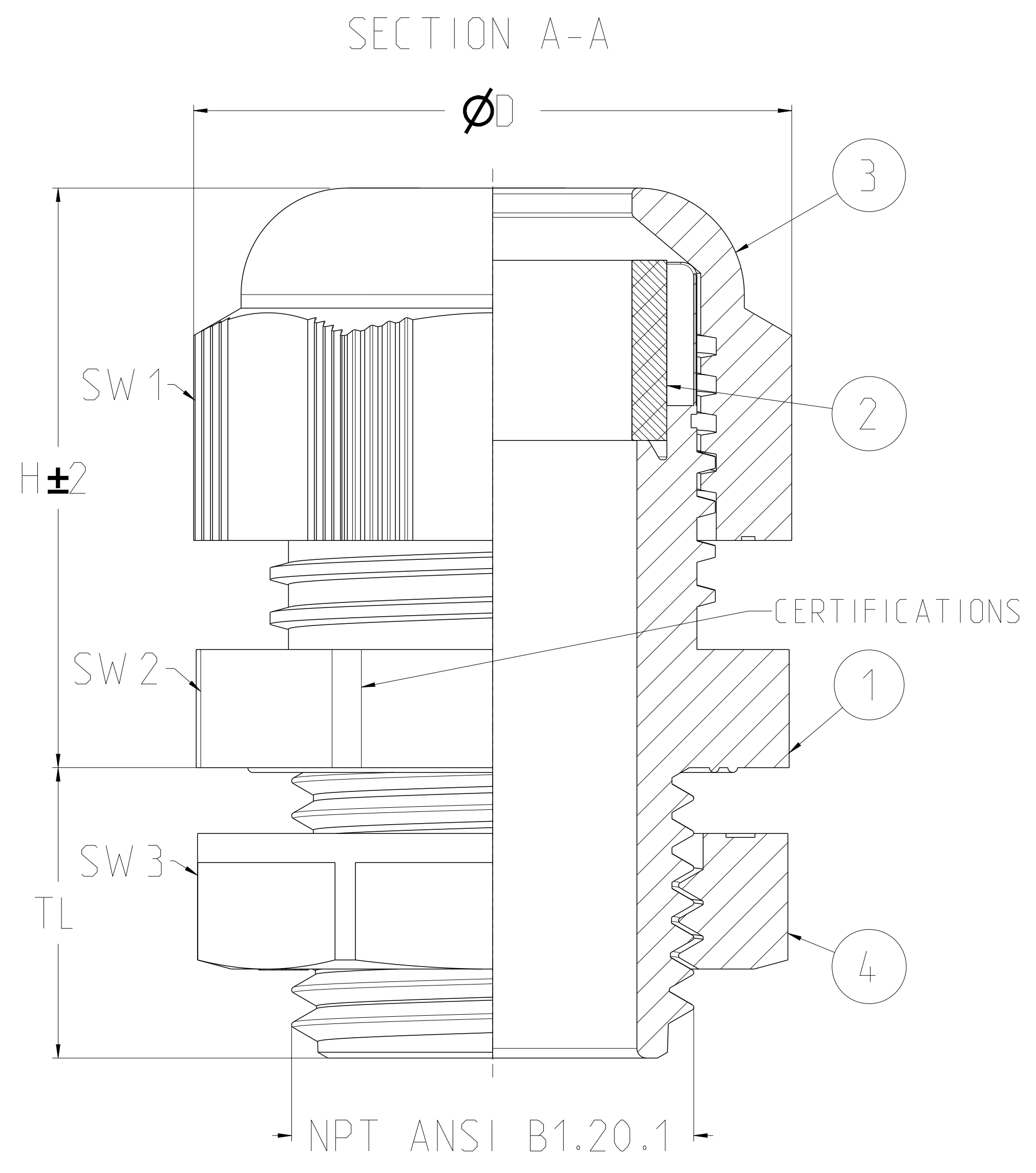


REVISIONS			
REV	DESCRIPTION	DATE	BY
A	INITIAL REVISION	09FEB2022	KR



TCPN	TE Product Type (Entrelec)	RAL NUMBER	COLOR	UL RATING	CERTIFICATIONS	NPT ANSI B1.20.1	TL	H	ØD	SW 1	SW 2	SW 3	Clamping Range
													Ø min - max
1SNG626118R0000	EP-SGL-NPT12-LGR-A	7035	L.Grey	TYPE 4X	cURus - cCSAus	NPT 1/2"	15.0	30.4	27.0	24	24	27	5.0 - 9.0
1SNG626119R0000	EP-SGL-NPT12-GR-A	7001	Grey	TYPE 4X	cURus - cCSAus	NPT 1/2"	15.0	30.4	27.0	24	24	27	5.0 - 9.0
1SNG626120R0000	EP-SGL-NPT12-BL-A	9005	Black	TYPE 4X	cURus - cCSAus	NPT 1/2"	15.0	30.4	27.0	24	24	27	5.0 - 9.0
1SNG626121R0000	EP-SGL-NPT12-LGR-B	7035	L.Grey	TYPE 4X	cURus - cCSAus	NPT 1/2"	15.0	30.4	27.0	24	24	27	6.0 - 12.0
1SNG626122R0000	EP-SGL-NPT12-GR-B	7035	L.Grey	TYPE 4X	cURus - cCSAus	NPT 1/2"	15.0	30.4	27.0	24	24	27	6.0 - 12.0
1SNG626123R0000	EP-SGL-NPT12-BL-B	7001	Grey	TYPE 4X	cURus - cCSAus	NPT 1/2"	15.0	30.4	27.0	24	24	27	6.0 - 12.0
1SNG626124R0000	EP-SGL-NPT12-LGR-C	9005	Black	TYPE 4X	cURus - cCSAus	NPT 1/2"	15.0	29.9	30.9	27	27	27	7.0 - 12.0
1SNG626125R0000	EP-SGL-NPT12-GR-C	7035	L.Grey	TYPE 4X	cURus - cCSAus	NPT 1/2"	15.0	29.9	30.9	27	27	27	7.0 - 12.0
1SNG626126R0000	EP-SGL-NPT12-BL-C	7035	L.Grey	TYPE 4X	cURus - cCSAus	NPT 1/2"	15.0	29.9	30.9	27	27	27	7.0 - 12.0
1SNG626127R0000	EP-SGL-NPT12-LGR-D	7001	Grey	TYPE 4X	cURus - cCSAus	NPT 1/2"	15.0	29.9	30.9	27	27	27	10.0 - 14.0
1SNG626128R0000	EP-SGL-NPT12-GR-D	9005	Black	TYPE 4X	cURus - cCSAus	NPT 1/2"	15.0	29.9	30.9	27	27	27	10.0 - 14.0
1SNG626129R0000	EP-SGL-NPT12-BL-D	7035	L.Grey	TYPE 4X	cURus - cCSAus	NPT 1/2"	15.0	29.9	30.9	27	27	27	10.0 - 14.0
1SNG626130R0000	EP-SGL-NPT34-LGR-A	7035	L.Grey	TYPE 4X	cURus - cCSAus	NPT 3/4"	15.0	36.4	37.2	33	33	33	9.0 - 16.0
1SNG626131R0000	EP-SGL-NPT34-GR-A	7001	Grey	TYPE 4X	cURus - cCSAus	NPT 3/4"	15.0	36.4	37.2	33	33	33	9.0 - 16.0
1SNG626132R0000	EP-SGL-NPT34-BL-A	9005	Black	TYPE 4X	cURus - cCSAus	NPT 3/4"	15.0	36.4	37.2	33	33	33	9.0 - 16.0
1SNG626133R0000	EP-SGL-NPT34-LGR-B	7035	L.Grey	TYPE 4X	cURus - cCSAus	NPT 3/4"	15.0	36.4	37.2	33	33	33	13.0 - 18.0
1SNG626134R0000	EP-SGL-NPT34-GR-B	7035	L.Grey	TYPE 4X	cURus - cCSAus	NPT 3/4"	15.0	36.4	37.2	33	33	33	13.0 - 18.0
1SNG626135R0000	EP-SGL-NPT34-BL-B	7001	Grey	TYPE 4X	cURus - cCSAus	NPT 3/4"	15.0	36.4	37.2	33	33	33	13.0 - 18.0
1SNG626136R0000	EP-SGL-NPT1-LGR-A	9005	Black	TYPE 4X	cURus - cCSAus	NPT 1"	18.0	41.3	47.1	42	42	41	12.0 - 20.0
1SNG626137R0000	EP-SGL-NPT1-GR-A	7035	L.Grey	TYPE 4X	cURus - cCSAus	NPT 1"	18.0	41.3	47.1	42	42	41	12.0 - 20.0
1SNG626138R0000	EP-SGL-NPT1-BL-A	7035	L.Grey	TYPE 4X	cURus - cCSAus	NPT 1"	18.0	41.3	47.1	42	42	41	12.0 - 20.0
1SNG626139R0000	EP-SGL-NPT1-LGR-B	7001	Grey	TYPE 4X	cURus - cCSAus	NPT 1"	18.0	41.3	47.1	42	42	41	18.0 - 25.0
1SNG626140R0000	EP-SGL-NPT1-GR-B	9005	Black	TYPE 4X	cURus - cCSAus	NPT 1"	18.0	41.3	47.1	42	42	41	18.0 - 25.0
1SNG626141R0000	EP-SGL-NPT1-BL-B	7035	L.Grey	TYPE 4X	cURus - cCSAus	NPT 1"	18.0	41.3	47.1	42	42	41	18.0 - 25.0

4	1	LOCK NUT	-	PA 6 %30 GF	-
3	1	CAP	-	PA6 V2 (F1 Listed)	-
2	1	SEAL	-	CR	-
1	1	BODY	-	PA6 V2 (F1 Listed)	-
RPT QTY	DOC TITLE	DRAWING NUMBER	MATERIAL	COMMENTS	
THIS DRAWING IS A CONTROLLED DOCUMENT.					
DIMENSIONS:		UNLESS OTHERWISE SPECIFIED:			
DIM:		DRAWN: 09FEB2022			
0 PLC		CHK: Stefan D. Hagi			
1 PLC		APP: Stefan Hagi			
2 PLC		DATE: 09FEB2022			
3 PLC		SCALE: 1:1			
4 PLC		PRODUCT SPEC: NPT-STD-GLAND-PA-LN			
5 PLC		APPLICATION SPEC: NPT-STD-GLAND-PA-LN			
FINISH:		SITE: CASE CODE: DRAWING NO: 00779			
REF. TABLE:		SCALE: 5:1 SHEET 1 OF 1 REV A			
		CUSTOMER DRAWING			