

Customer Information Sheet

DRAWING No.: R6405-00 - R6436-00

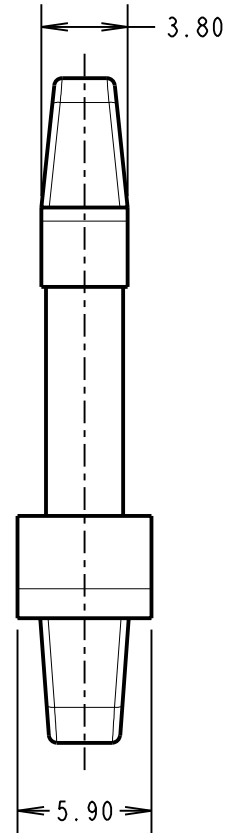
IF IN DOUBT - ASK



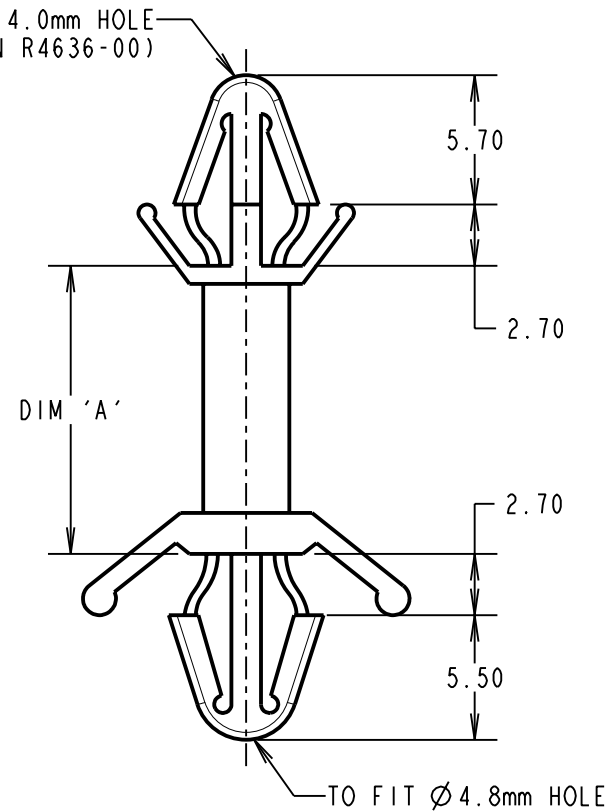
NOT TO SCALE

THIRD ANGLE PROJECTION

ALL DIMENSIONS IN mm



TO FIT \varnothing 4.0mm HOLE
(\varnothing 4.8mm ON R4636-00)



PART No.	DIM 'A'
R6405-00	4.80
R6406-00	6.40
R6410-00	9.60
R6413-00	12.70
R6416-00	15.90
R6419-00	19.10
R6422-00	22.20
R6425-00	25.40
R6428-00	28.50
R6435-00	35.00
R6436-00	35.00

ORDER CODE:

R64XX-00

SIZE CODE
(SEE TABLE)

NOTES:

1. ALL TOLERANCES ARE ± 0.50 UNLESS OTHERWISE STATED.
2. TEMPERATURE RANGE = -40°C TO $+85^{\circ}\text{C}$.

CP	5	08.03.10	10702
NAME	ISS.	DATE	C/NOTE
APPROVED: C.PENROSE			
CHECKED:		R.ADDE	
DRAWN:		D.BECK	
CUSTOMER REF.:			
ASSEMBLY DRG:			

HARWIN

HARWIN USA
TEL: 603 893 5376
FAX: 603 893 5396
mis@harwin.com

HARWIN Europe (UK)
TEL: 023 9231 4545
FAX: 023 9231 4590
mis@harwin.co.uk

HARWIN Asia
TEL: +65 6 779 4909
FAX: +65 6 779 3868
mis@harwin.com.sg

THIS DRAWING AND ANY INFORMATION OR DESCRIPTIVE MATTER SET OUT HEREON ARE CONFIDENTIAL AND COPYRIGHT PROPERTY OF THE HARWIN GROUP AND MUST NOT BE DISCLOSED, LOANED, COPIED OR USED FOR MANUFACTURING, TENDERING OR FOR ANY OTHER PURPOSE WITHOUT THEIR WRITTEN PERMISSION.

TOLERANCES
X = $\pm 1\text{mm}$
X.X = $\pm 0.25\text{mm}$
X.XX = $\pm 0.10\text{mm}$
X.XXX = $\pm 0.01\text{mm}$
ANGLES = $\pm 5^{\circ}$
UNLESS STATED

MATERIAL:
NYLON 66 NATURAL UL94V-2
FINISH: CLEAN
S/AREA: mm²

TITLE:
SELF LOCKING
SUPPORT SPACER
DRAWING NUMBER:
R6405-00 - R6436-00