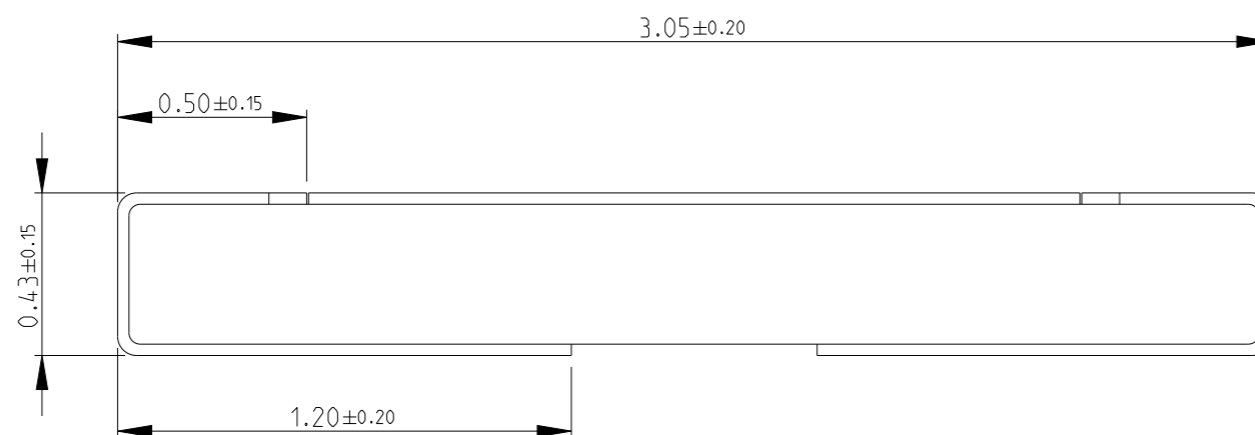


REVISIONS

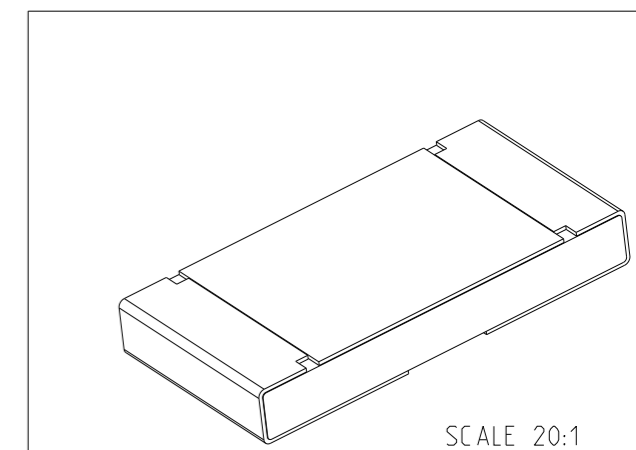
P	LTR	DESCRIPTION	DATE	DWN	APVD
	A	NEW DRAWING	01JUL2022	KS	AP

NOTES:

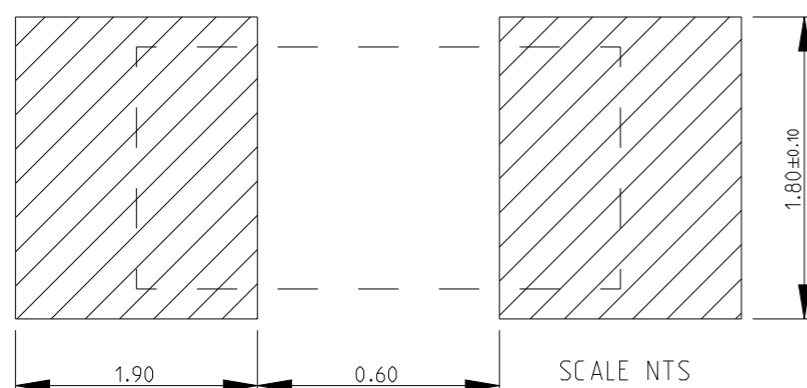
1. PCB WITH A COPPER THICKNESS OF TWO OUNCES SHOULD BE USED.
2. FOR FURTHER INFORMATION SEE DATA SHEET FOR 3503 SERIES ALUMINUM NITRIDE THIN FILM POWER RESISTORS.



RoHS Compliant

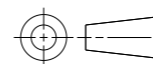


RECOMMENDED LAND PATTERN



THIS DRAWING IS A CONTROLLED DOCUMENT.

DIMENSIONS:  
mm



TOLERANCES UNLESS OTHERWISE SPECIFIED:

0 PLC	±0.5
1 PLC	±0.2
2 PLC	±0.1
3 PLC	±
4 PLC	±
ANGLES	±5°

MATERIAL

FINISH

DWN 01JUL2022

KARTHIK. S

CHK 01JUL2022

ALLAN. P

APVD 01JUL2022

ALLAN. P

PRODUCT SPEC

APPLICATION SPEC

WEIGHT

NAME  
ALUMINIUM NITRIDE THIN FILM POWER RESISTOR TYPE 3503 SERIES



TE Connectivity

SIZE CAGE CODE DRAWING NO RESTRICTED TO

A3 00779 C=2176525


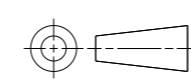
CUSTOMER DRAWING SCALE 50:1 SHEET 1 OF 2 REV A

REVISIONS

P	LTR	DESCRIPTION	DATE	DWN	APVD
	-	SEE SHEET 1	-	-	-

SCHEDULE			
TCPN	CATALOGUE NUMBER	PART DESCRIPTION	PART STATUS
2176525-1	3503G2B5K9FTDF	3503G 2B 5K9 1% 1K RL	PRODUCTION
2176525-2	3503G2B6K04FTDF	3503G 2B 6K04 1% 1K RL	PRODUCTION
2176525-3	3503G2B6K19FTDF	3503G 2B 6K19 1% 1K RL	PRODUCTION
2176525-4	3503G2B6K34FTDF	3503G 2B 6K34 1% 1K RL	PRODUCTION
2176525-5	3503G2B6K49FTDF	3503G 2B 6K49 1% 1K RL	PRODUCTION
2176525-6	3503G2B6K65FTDF	3503G 2B 6K65 1% 1K RL	PRODUCTION
2176525-7	3503G2B6K81FTDF	3503G 2B 6K81 1% 1K RL	PRODUCTION
2176525-8	3503G2B6K98FTDF	3503G 2B 6K98 1% 1K RL	PRODUCTION
2176525-9	3503G2B7K15FTDF	3503G 2B 7K15 1% 1K RL	PRODUCTION
1-2176525-0	3503G2B7K32FTDF	3503G 2B 7K32 1% 1K RL	PRODUCTION
1-2176525-1	3503G2B7K5FTDF	3503G 2B 7K5 1% 1K RL	PRODUCTION
1-2176525-2	3503G2B7K68FTDF	3503G 2B 7K68 1% 1K RL	PRODUCTION
1-2176525-3	3503G2B7K87FTDF	3503G 2B 7K87 1% 1K RL	PRODUCTION
1-2176525-4	3503G2B8K06FTDF	3503G 2B 8K06 1% 1K RL	PRODUCTION
1-2176525-5	3503G2B8K25FTDF	3503G 2B 8K25 1% 1K RL	PRODUCTION
1-2176525-6	3503G2B8K45FTDF	3503G 2B 8K45 1% 1K RL	PRODUCTION
1-2176525-7	3503G2B8K66FTDF	3503G 2B 8K66 1% 1K RL	PRODUCTION
1-2176525-8	3503G2B8K87FTDF	3503G 2B 8K87 1% 1K RL	PRODUCTION
1-2176525-9	3503G2B9K09FTDF	3503G 2B 9K09 1% 1K RL	PRODUCTION
2-2176525-0	3503G2B9K31FTDF	3503G 2B 9K31 1% 1K RL	PRODUCTION
2-2176525-1	3503G2B9K53FTDF	3503G 2B 9K53 1% 1K RL	PRODUCTION
2-2176525-2	3503G2B9K76FTDF	3503G 2B 9K76 1% 1K RL	PRODUCTION
2-2176525-3	3503G2B10KFTDF	3503G 2B 10K 1% 1K RL	PRODUCTION
2-2176525-4	3503G2B10K2FTDF	3503G 2B 10K2 1% 1K RL	PRODUCTION
2-2176525-5	3503G2B10K5FTDF	3503G 2B 10K5 1% 1K RL	PRODUCTION
2-2176525-6	3503G2B10K7FTDF	3503G 2B 10K7 1% 1K RL	PRODUCTION
2-2176525-7	3503G2B11KFTDF	3503G 2B 11K 1% 1K RL	PRODUCTION
2-2176525-8	3503G2B11K3FTDF	3503G 2B 11K3 1% 1K RL	PRODUCTION
2-2176525-9	3503G2B11K5FTDF	3503G 2B 11K5 1% 1K RL	PRODUCTION
3-2176525-0	3503G2B11K8FTDF	3503G 2B 11K8 1% 1K RL	PRODUCTION
3-2176525-1	3503G2B12K1FTDF	3503G 2B 12K1 1% 1K RL	PRODUCTION
3-2176525-2	3503G2B12K4FTDF	3503G 2B 12K4 1% 1K RL	PRODUCTION
3-2176525-3	3503G2B12K7FTDF	3503G 2B 12K7 1% 1K RL	PRODUCTION
3-2176525-4	3503G2B13KFTDF	3503G 2B 13K 1% 1K RL	PRODUCTION
3-2176525-5	3503G2B13K3FTDF	3503G 2B 13K3 1% 1K RL	PRODUCTION

SCHEDULE			
TCPN	CATALOGUE NUMBER	PART DESCRIPTION	PART STATUS
3-2176525-6	3503G2B13K7FTDF	3503G 2B 13K7 1% 1K RL	PRODUCTION
3-2176525-7	3503G2B14KFTDF	3503G 2B 14K 1% 1K RL	PRODUCTION
3-2176525-8	3503G2B14K3FTDF	3503G 2B 14K3 1% 1K RL	PRODUCTION
3-2176525-9	3503G2B14K7FTDF	3503G 2B 14K7 1% 1K RL	PRODUCTION
4-2176525-0	3503G2B15KFTDF	3503G 2B 15K 1% 1K RL	PRODUCTION
4-2176525-1	3503G2B15K4FTDF	3503G 2B 15K4 1% 1K RL	PRODUCTION
4-2176525-2	3503G2B15K8FTDF	3503G 2B 15K8 1% 1K RL	PRODUCTION
4-2176525-3	3503G2B16K2FTDF	3503G 2B 16K2 1% 1K RL	PRODUCTION
4-2176525-4	3503G2B16K5FTDF	3503G 2B 16K5 1% 1K RL	PRODUCTION
4-2176525-5	3503G2B16K9FTDF	3503G 2B 16K9 1% 1K RL	PRODUCTION
4-2176525-6	3503G2B17K4FTDF	3503G 2B 17K4 1% 1K RL	PRODUCTION
4-2176525-7	3503G2B17K8FTDF	3503G 2B 17K8 1% 1K RL	PRODUCTION
4-2176525-8	3503G2B18K2FTDF	3503G 2B 18K2 1% 1K RL	PRODUCTION
4-2176525-9	3503G2B18K7FTDF	3503G 2B 18K7 1% 1K RL	PRODUCTION
5-2176525-0	3503G2B19K1FTDF	3503G 2B 19K1 1% 1K RL	PRODUCTION
5-2176525-1	3503G2B19K6FTDF	3503G 2B 19K6 1% 1K RL	PRODUCTION
5-2176525-2	3503G2B20KFTDF	3503G 2B 20K 1% 1K RL	PRODUCTION
5-2176525-3	3503G2B20K5FTDF	3503G 2B 20K5 1% 1K RL	PRODUCTION
5-2176525-4	3503G2B21KFTDF	3503G 2B 21K 1% 1K RL	PRODUCTION
5-2176525-5	3503G2B21K5FTDF	3503G 2B 21K5 1% 1K RL	PRODUCTION
5-2176525-6	3503G2B22K1FTDF	3503G 2B 22K1 1% 1K RL	PRODUCTION
5-2176525-7	3503G2B22K6FTDF	3503G 2B 22K6 1% 1K RL	PRODUCTION
5-2176525-8	3503G2B23K2FTDF	3503G 2B 23K2 1% 1K RL	PRODUCTION
5-2176525-9	3503G2B23K7FTDF	3503G 2B 23K7 1% 1K RL	PRODUCTION
6-2176525-0	3503G2B24K3FTDF	3503G 2B 24K3 1% 1K RL	PRODUCTION
6-2176525-1	3503G2B24K9FTDF	3503G 2B 24K9 1% 1K RL	PRODUCTION
6-2176525-2	3503G2B25K5FTDF	3503G 2B 25K5 1% 1K RL	PRODUCTION
6-2176525-3	3503G2B26K1FTDF	3503G 2B 26K1 1% 1K RL	PRODUCTION
6-2176525-4	3503G2B26K7FTDF	3503G 2B 26K7 1% 1K RL	PRODUCTION
6-2176525-5	3503G2B27K4FTDF	3503G 2B 27K4 1% 1K RL	PRODUCTION
6-2176525-6	3503G2B28KFTDF	3503G 2B 28K 1% 1K RL	PRODUCTION
6-2176525-7	3503G2B28K7FTDF	3503G 2B 28K7 1% 1K RL	PRODUCTION
6-2176525-8	3503G2B29K4FTDF	3503G 2B 29K4 1% 1K RL	PRODUCTION
6-2176525-9	3503G2B30K1FTDF	3503G 2B 30K1 1% 1K RL	PRODUCTION

THIS DRAWING IS A CONTROLLED DOCUMENT.		DWN KARTHIK. S 01JUL2022	 TE Connectivity NAME ALUMINIUM NITRIDE THIN FILM POWER RESISTOR TYPE 3503 SERIES	
DIMENSIONS: mm		CHK ALLAN. P 01JUL2022		
		APVD ALLAN. P 01JUL2022		
TOLERANCES UNLESS OTHERWISE SPECIFIED:		PRODUCT SPEC	SIZE	
0 PLC ±0.5		APPLICATION SPEC	CAGE CODE	
1 PLC ±0.2		WEIGHT	DRAWING NO	
2 PLC ±0.1		CUSTOMER DRAWING	RESTRICTED TO	
3 PLC ±		SCALE 50:1	SHEET 2 OF 2	
4 PLC ±		REV A		
ANGLES ±5°				
FINISH				
MATERIAL				