



TE Internal #: 2301843-2
 PCB D-Sub Connectors, Plug, Cable-to-Board, 9 Position, 2.77 mm [.109 in] Centerline, 2 Row, 1 Connector Shell Size, Straight, Right Angle

[View on TE.com >](#)

Connectors > D-Shaped Connectors > D-Sub Connectors > PCB D-Sub Connectors



Connector & Housing Type: **Plug**
 Connector System: **Cable-to-Board**
 Number of Positions: **9**
 Centerline (Pitch): **2.77 mm [.109 in]**
 Number of Rows: **2**

Features

Product Type Features

Connector & Housing Type	Plug
Connector System	Cable-to-Board
Connector Shell Size	1
Connector & Contact Terminates To	Printed Circuit Board

Configuration Features

Number of Positions	9
Number of Rows	2
PCB Mount Orientation	Right Angle

Contact Features

Contact Shape & Form	Straight
Contact Current Rating (Max)	2 A

Termination Features

Termination Method to Printed Circuit Board	Through Hole - Solder
---	-----------------------

Mechanical Attachment



PCB Mount Retention	With
PCB Mount Retention Type	Boardlock
Mating Retention	With
Mating Retention Type	4-40 Screwlock
Connector Mounting Type	Board Mount

Housing Features

Centerline (Pitch)	2.77 mm [.109 in]
--------------------	-------------------

Dimensions

Row-to-Row Spacing	2.84 mm [.112 in]
--------------------	-------------------

Usage Conditions

Operating Temperature Range	-55 – 105 °C [-67 – 221 °F]
-----------------------------	-----------------------------

Product Compliance

[For compliance documentation, visit the product page on TE.com>](#)

EU RoHS Directive 2011/65/EU	Compliant
EU ELV Directive 2000/53/EC	Compliant
China RoHS 2 Directive MIIT Order No 32, 2016	No Restricted Materials Above Threshold
EU REACH Regulation (EC) No. 1907/2006	Current ECHA Candidate List: JUNE 2023 (235) Candidate List Declared Against: JAN 2023 (233) Does not contain REACH SVHC
Halogen Content	Not Low Halogen - contains Br or Cl > 900 ppm.
Solder Process Capability	Wave solder capable to 265°C

Product Compliance Disclaimer

This information is provided based on reasonable inquiry of our suppliers and represents our current actual knowledge based on the information they provided. This information is subject to change. The part numbers that TE has identified as EU RoHS compliant have a maximum concentration of 0.1% by weight in homogenous materials for lead, hexavalent chromium, mercury, PBB, PBDE, DBP, BBP, DEHP, DIBP, and 0.01% for cadmium, or qualify for an exemption to these limits as defined in the Annexes of Directive 2011/65/EU (RoHS2). Finished electrical and electronic equipment products will be CE marked as required by Directive 2011/65/EU. Components may not be CE marked. Additionally, the part numbers that TE has identified as EU ELV compliant have a maximum concentration of 0.1% by weight in homogenous materials for lead, hexavalent chromium, and mercury, and 0.01% for cadmium, or qualify for an exemption to these limits as defined in the Annexes of Directive 2000/53/EC (ELV). Regarding the REACH Regulation, the information TE provides on SVHC in articles for this part number is based on the latest European Chemicals Agency (ECHA) 'Guidance on requirements for substances in articles' posted at this URL: <https://echa.europa.eu/guidance-documents/guidance-on-reach>

Compatible Parts



TE Part # 2301844-2
AMPL REC HD20, R/A, 9P, B/L,4-40 S /LOCK

Customers Also Bought



TE Part #9-1625971-4
HSA25 6K8 5%



TE Part #3-2176087-9
RP 1J 0.166W 169R 0.1% 25PPM 1K RL



TE Part #3-2176089-4
RP 1J 0.166W 24K9 0.1% 25PPM 1K RL



TE Part #7-2176088-3
RP 1J 0.166W 5K11 0.1% 25PPM 1K RL



TE Part #5-2176371-4
RQ 0603 16K5 0.1% 10PPM 5K RL



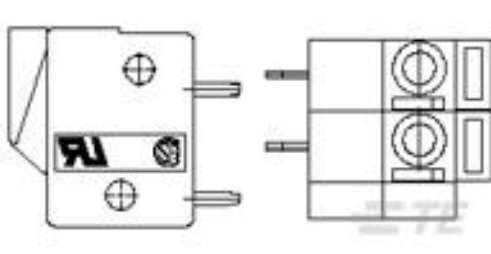
TE Part #8-2176370-5
RQ 0603 3K24 0.1% 10PPM 5K RL



TE Part #9-2176391-6
RQ 1206 121K 0.1% 10PPM 5K RL



TE Part #6-2176392-5
RQ 1206 619K 0.1% 10PPM 5K RL



TE Part #1776261-4
Bd Mt Screwless, 5.0mm, Side W

Documents

Product Drawings

[AMPL PLUG HD20, R/A, 9P, B/L,4-40 S/LOCK](#)

English

CAD Files

[3D PDF](#)

[3D](#)



Customer View Model

[ENG_CVM_CVM_2301843-2_B.2d_dxf.zip](#)

English

Customer View Model

[ENG_CVM_CVM_2301843-2_B.3d_igs.zip](#)

English

Customer View Model

[ENG_CVM_CVM_2301843-2_B.3d_stp.zip](#)

English

By downloading the CAD file I accept and agree to the [Terms and Conditions](#) of use.

Product Specifications

[Application Specification](#)

English

Product Environmental Compliance

[Product Compliance Document](#)

English

[Product Compliance Document](#)

English