

Temperature Compensated Directional Power Detector 10 - 30 GHz



MACP-010573

Rev. V2

Features

- Integrated Directional Coupler
- Low Insertion Loss: 0.40 dB @ 20 GHz
- Min. detectable power: -18 dBm @ 20 GHz
- Built-In Temperature Compensation
- Lead-Free 1.5 x 1.2 mm 6-Lead TDFN Plastic Package
- RoHS* Compliant

Applications

- Point-to-Point Radios
- IMS
- Radar
- VSAT
- EW
- Aerospace & Defense

Description

The MACP-010573 belongs to a series of small, easy-to-use, broadband, directional detectors. With integrated low loss directional couplers and built-in temperature compensation circuits, these detectors provide an easy way to monitor the power of a signal travelling in a specific direction along a transmission line. Detectors are housed in a miniature, surface mount, lead less plastic package. They require a small amount of bias for proper performance. The total bias current is less than 0.5 mA.

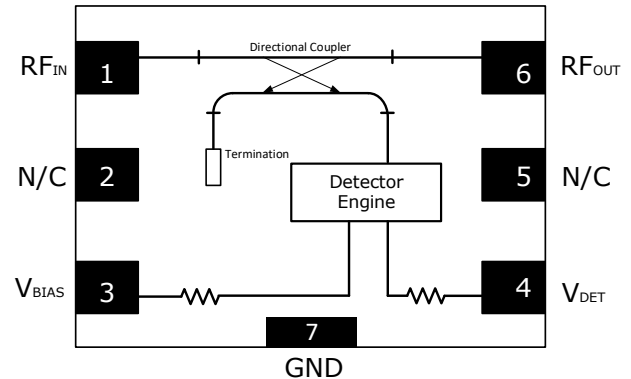
The surface mount package is small yet can be handled and placed with standard pick and place assembly equipment. Detectors are fabricated on a well established GaAs process featuring full passivation for performance and reliability.

Ordering Information^{1,2}

Part #	Package
MACP-010573-TR1000	1000 piece reel
MACP-010573-001SMB	Sample Board

1. Reference Application Note M513 for reel size information.
2. All sample boards include 5 loose parts.

Functional Schematic



Pin Configuration³

Pin #	Pin Name	Description
1	RF _{IN}	RF Input
2	N/C	No Connection ³
3	V _{BIAS}	Bias Voltage
4	V _{DET}	Detector Voltage
5	N/C	No Connection ³
6	RF _{OUT}	RF Output
7	GND	Ground

3. Pins 2 and 5 are not connected internally and should not be used for grounding. Package has exposed bottom metal paddle (Pin 7) which should be connected to the circuit ground. The parasitic inductance introduced by this connection should be as small as possible.

* Restrictions on Hazardous Substances, compliant to current RoHS EU directive.

Temperature Compensated Directional Power Detector 10 - 30 GHz



MACP-010573

Rev. V2

Electrical Specifications:

Freq. = 20 GHz, $T_A = 25^\circ\text{C}$, $V_B = +3.2\text{ V}$, $Z_0 = 50\ \Omega$ (unless otherwise specified)

Parameter	Test Conditions	Units	Min.	Typ.	Max.
Insertion Loss	10 GHz 20 GHz 30 GHz	dB	—	0.15 0.40 0.90	—
Detect Voltage	10 dBm applied to Input 10 GHz 20 GHz 30 GHz	mV	—	240 495 745	—
Directivity	Into 50 Ω load 10 GHz 20 GHz 30 GHz	dB	—	16.5 13.0 11.5	—
Sensitivity	Minimum recommended power level 10 GHz 20 GHz 30 GHz	dBm	—	-13 -18 -21	—
Maximum Power	Maximum recommended power level 10 - 30 GHz	dBm	—	30	—
Input Return Loss	10 - 30 GHz	dB	—	15	—
Output Return Loss	10 - 30 GHz	dB	—	18	—
DC Offset	Detect voltage with no RF input power	mV	50	100	150
Bias Current	$V_{\text{Bias}} = 3.2\text{ V}$	mA	—	0.3	0.35

Absolute Maximum Ratings^{4,5}

Parameter	Absolute Maximum
Input Power	40 dBm
Operating Voltage	8 V
Operating Temperature	-40°C to +85°C
Storage Temperature	-65°C to +150°C

- Exceeding any one or combination of these limits may cause permanent damage to this device.
- MACOM does not recommend sustained operation near these survivability limits.

Handling Procedures

Please observe the following precautions to avoid damage:

Static Sensitivity

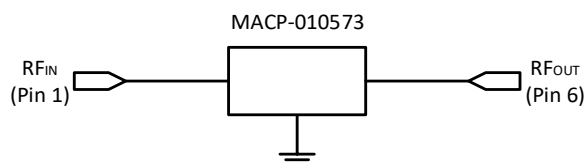
Gallium Arsenide Integrated Circuits are sensitive to electrostatic discharge (ESD) and can be damaged by static electricity. Proper ESD control techniques should be used when handling these HBM Class 0A devices.

Application Information

The MACP-010573 is designed to deliver high performance and to be easy to use.

No external components are needed. The RF connections required by the MACP-010573 are shown in a schematic below.

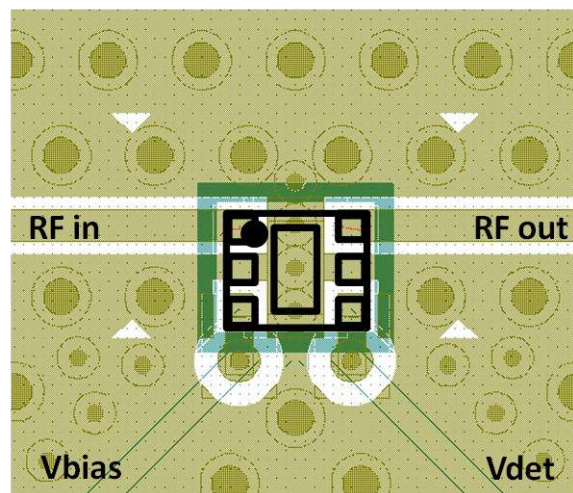
Pin 1 should be connected to the RF input signal. Pin 6 is the RF output. The third required connection is that to the RF ground. The exposed metal paddle on the back of the package must be connected to the RF ground of the board housing the detector. This can be accomplished by using conductive via holes. It is important to ensure that the parasitic inductance associated with the connection between the detector and the RF ground is as small as possible. The RF ground also provides the return path for the DC bias current.



DC Bias

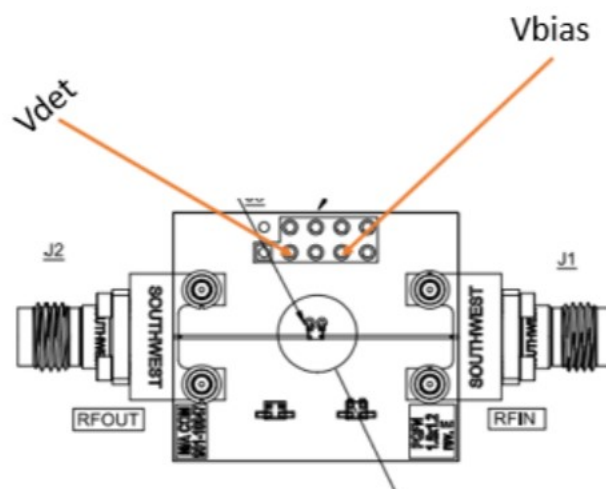
The MACP-010573 operates with a positive 3.2 V bias applied to pin 3. The output voltage is available on pin 4.

Recommended PCB Configuration



Evaluation Board

MACOM will supply an evaluation board and loose samples upon qualified request. The kit consists of a PCB and SMA connectors. MACOM suggests a Rogers 4350 dielectric of 0.008" (0.20 mm) with 1/2 ounce copper. Proper grounding is always important, we suggest 8 mil (0.20 mm) vias placed generously underneath the part.



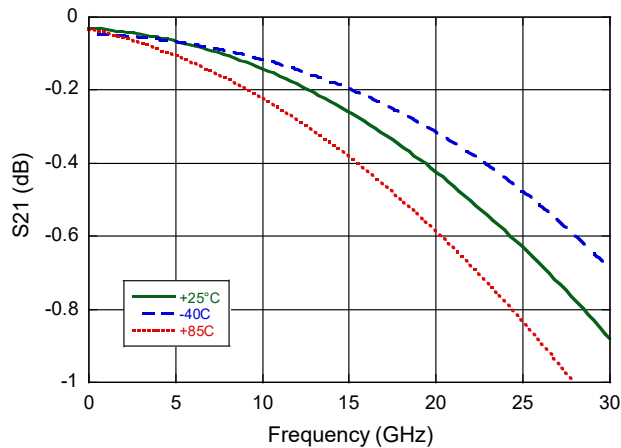
Temperature Compensated Directional Power Detector 10 - 30 GHz



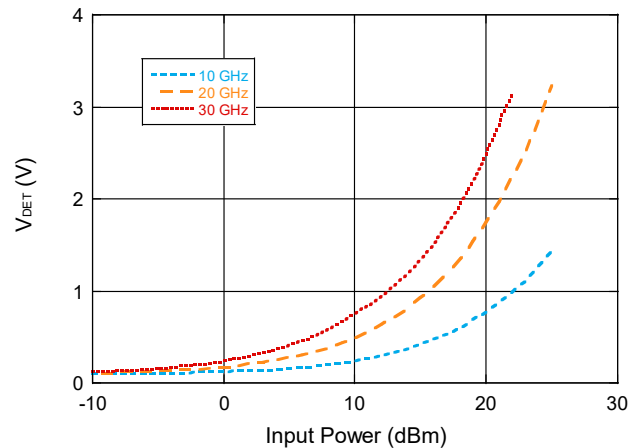
MACP-010573
Rev. V2

Typical Performance Curves:

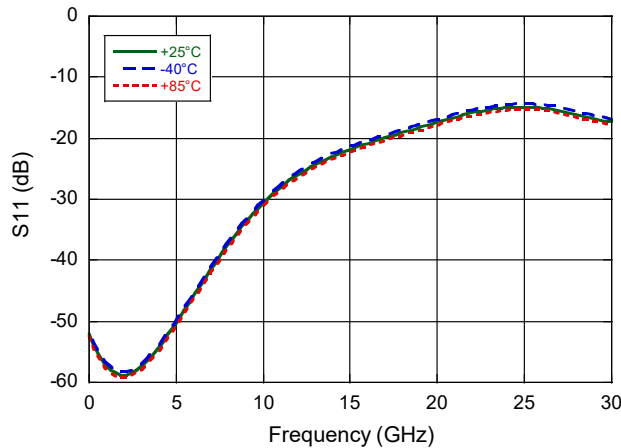
Insertion Loss



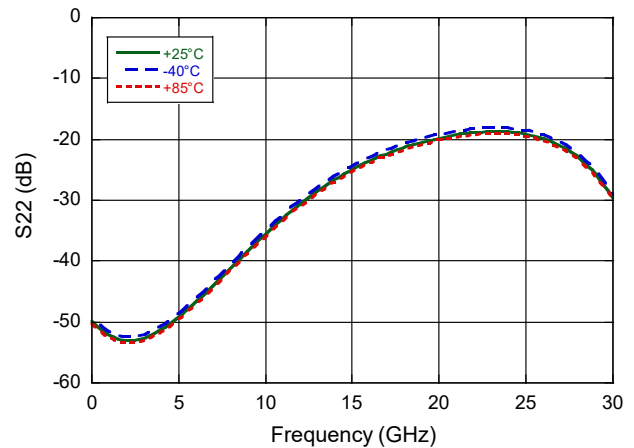
Detect Voltage vs. Input Power



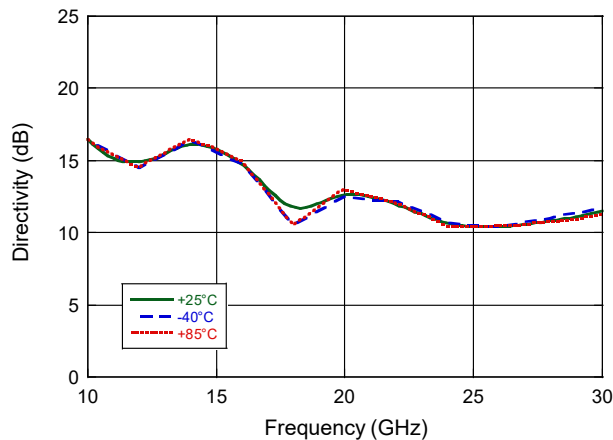
Input Return Loss



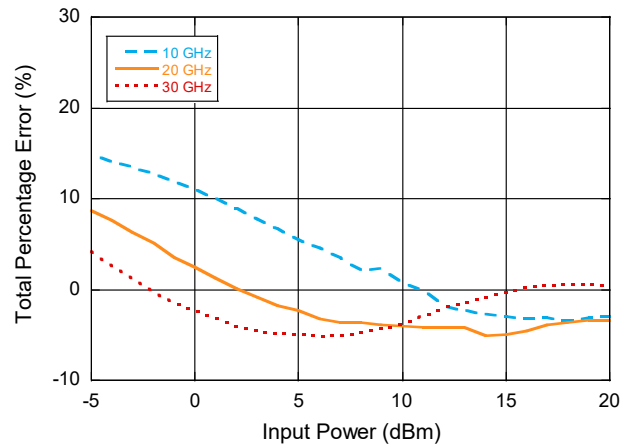
Output Return Loss



Directivity



Temperature Compensation Accuracy

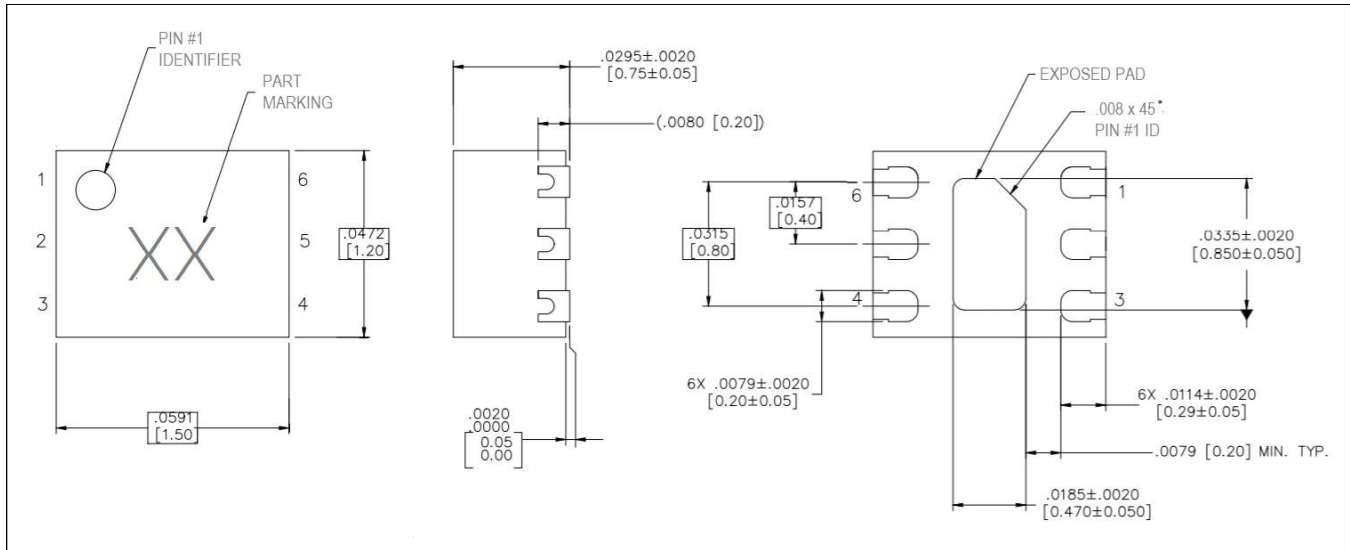


Temperature Compensated Directional Power Detector 10 - 30 GHz



MACP-010573
Rev. V2

Lead-Free 1.5 x 1.2 mm 6-Lead TDFN[†]



[†] Reference Application Note M538 for lead-free solder reflow recommendations.
Meets JEDEC moisture sensitivity level 1 requirements.
Plating is 100% matte tin over copper.

MACOM Technology Solutions Inc. ("MACOM"). All rights reserved.

These materials are provided in connection with MACOM's products as a service to its customers and may be used for informational purposes only. Except as provided in its Terms and Conditions of Sale or any separate agreement, MACOM assumes no liability or responsibility whatsoever, including for (i) errors or omissions in these materials; (ii) failure to update these materials; or (iii) conflicts or incompatibilities arising from future changes to specifications and product descriptions, which MACOM may make at any time, without notice. These materials grant no license, express or implied, to any intellectual property rights.

THESE MATERIALS ARE PROVIDED "AS IS" WITH NO WARRANTY OR LIABILITY, EXPRESS OR IMPLIED, RELATING TO SALE AND/OR USE OF MACOM PRODUCTS INCLUDING FITNESS FOR A PARTICULAR PURPOSE, MERCHANTABILITY, INFRINGEMENT OF INTELLECTUAL PROPERTY RIGHT, ACCURACY OR COMPLETENESS, OR SPECIAL, INDIRECT, INCIDENTAL, OR CONSEQUENTIAL DAMAGES WHICH MAY RESULT FROM USE OF THESE MATERIALS.

MACOM products are not intended for use in medical, lifesaving or life sustaining applications. MACOM customers using or selling MACOM products for use in such applications do so at their own risk and agree to fully indemnify MACOM for any damages resulting from such improper use or sale.