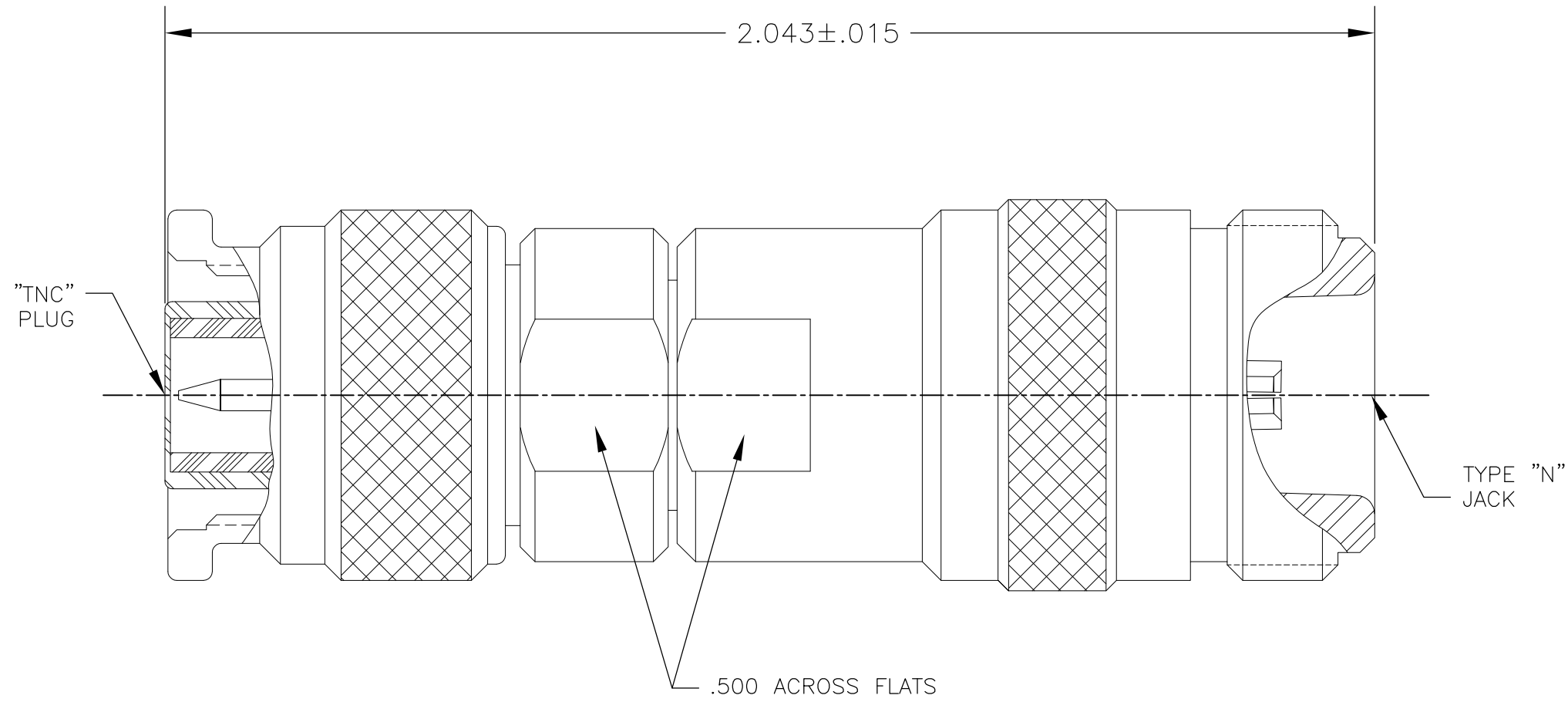


THIS DRAWING IS UNPUBLISHED. RELEASED FOR PUBLICATION
 © COPYRIGHT - By - ALL RIGHTS RESERVED.


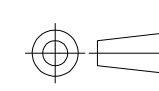
LOC HC	DIST 00	REVISIONS			
P	LTR	DESCRIPTION	DATE	DWN	APVD
	A1	ECR-12-005726	27MAR12	RK	MY



MATERIAL:
 CENTER CONDUCTOR- BERYLLIUM COPPER PER ASTM-B-196, ALLOY C17300 COND H.
 OUTER CONDUCTOR- STAINLESS STEEL PER ASTM-A-484 AND ASTM-A-582 TYPE 303.

DIELECTRIC- PTFE PER ASTM-D-1457

PLATING:
 INNER CONDUCTOR- GOLD PER MIL-G-45204
 OUTER CONDUCTOR- PASSIVATED PER QQ-P-35

THIS DRAWING IS A CONTROLLED DOCUMENT.		DWN G. VIERA 28APR03	 TE Connectivity		
DIMENSIONS: INCHES		CHK D. CAMELIO 29APR03			
		APVD D. CAMELIO 29APR03	N JACK TO TNC PLUG ADAPTER 3082-2311-00		
TOLERANCES UNLESS OTHERWISE SPECIFIED:		PRODUCT SPEC	RESTRICTED TO		
0 PLC ± -		APPLICATION SPEC	SIZE	CAGE CODE	DRAWING NO
1 PLC ± -		—	A3 00779		C-1057388-1
2 PLC ± -		—	SCALE 4:1 SHEET 1 OF 1 REV A1		
3 PLC ± .003		WEIGHT	—		
4 PLC ± -		CUSTOMER DRAWING	—		
ANGLES ± 1'0"					
FINISH					
MATERIAL					