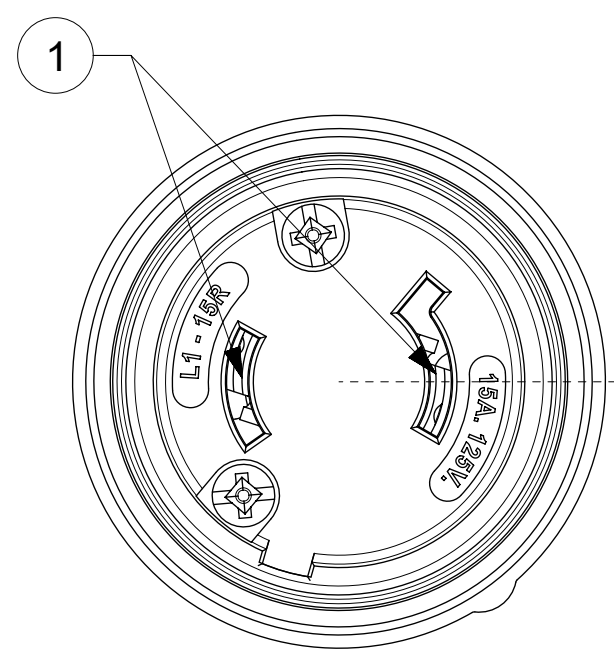
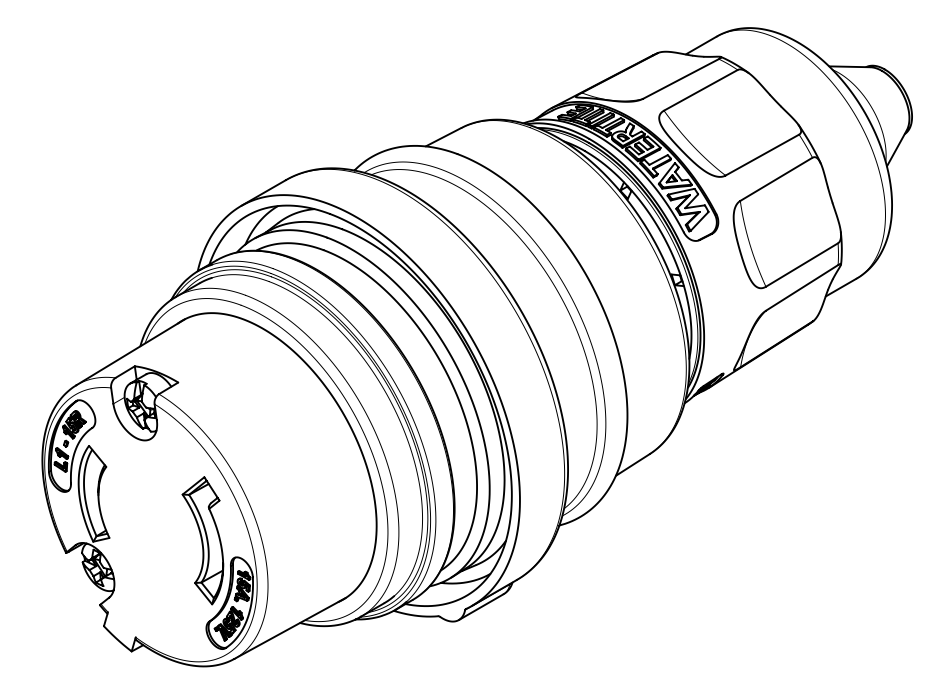
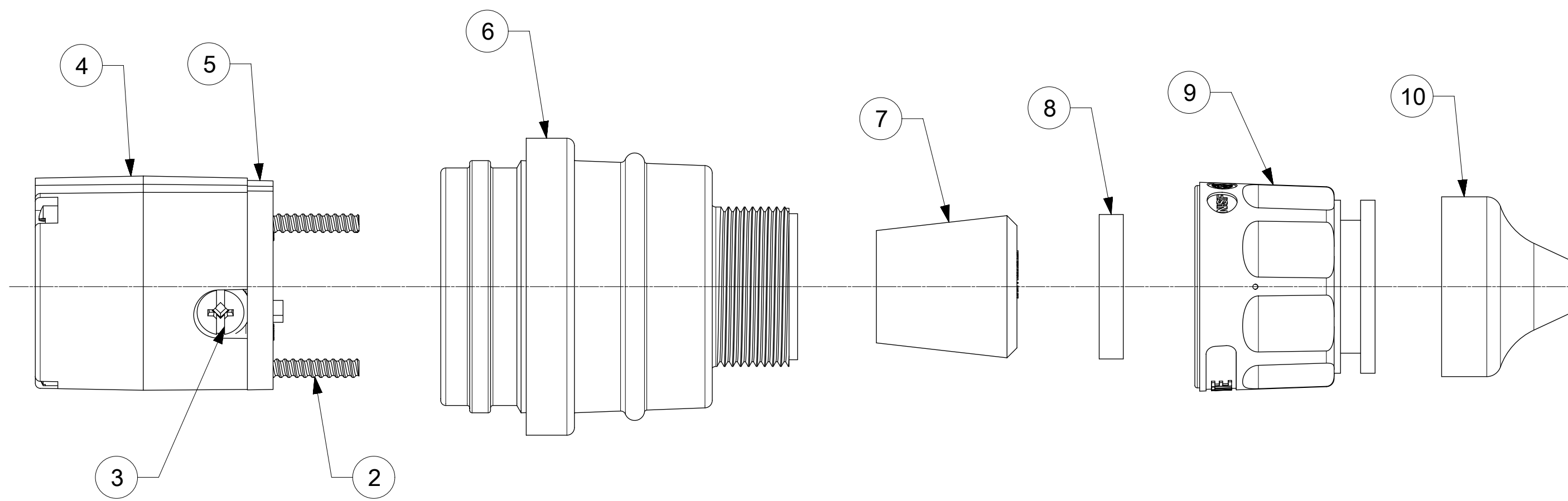
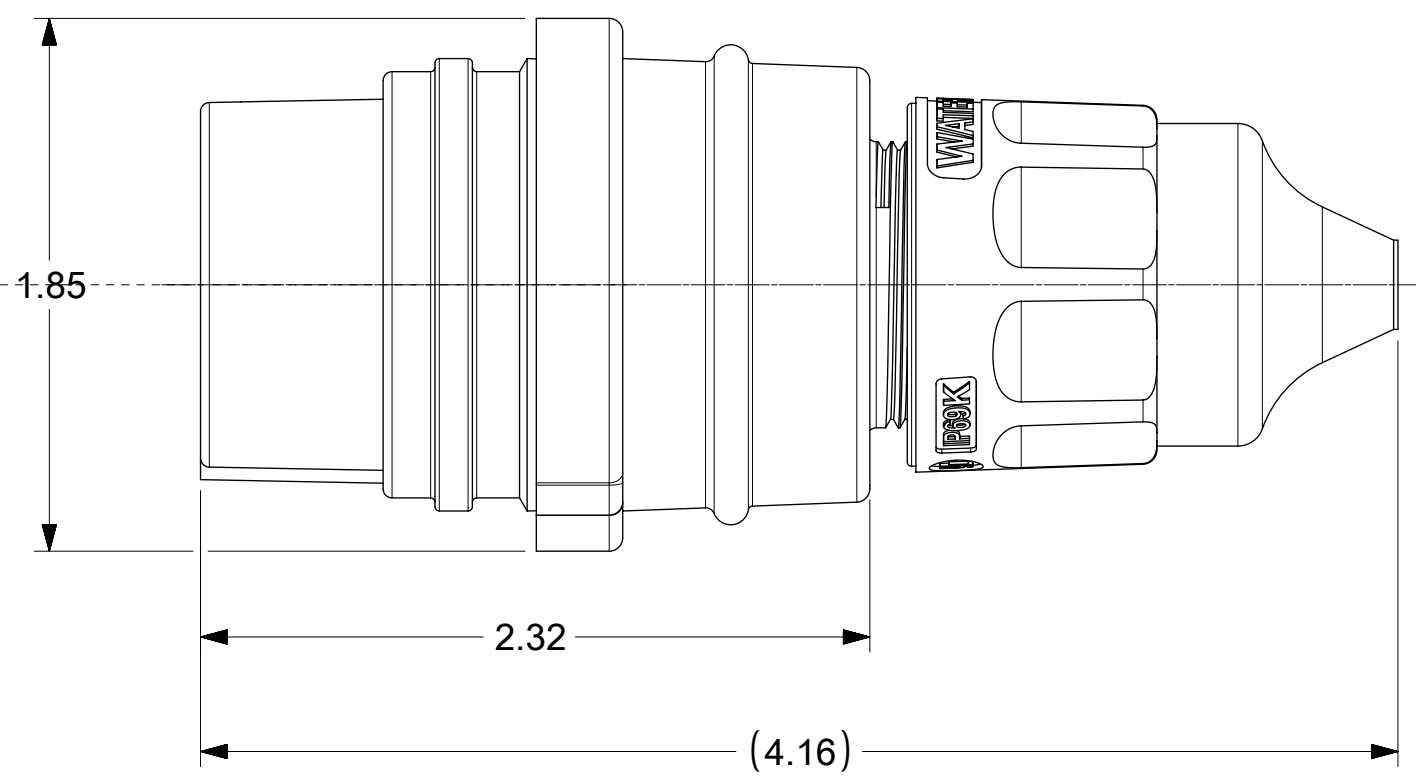


ORDER NO.	WOODHEAD NO.	COLOR
130146-0091	25W04MB	YELLOW



FACE VIEW



ITEM NO.	DESCRIPTIONS	MATERIAL	QTY.
1	BLADES	BRASS	2
2	RETAINING SCREWS	STAINLESS STEEL	2
3	TERMINAL SCREWS	BRASS, ZINC PLATED	2
4	INSERT	NYLON	1
5	TERMINAL COVER	POLYCARBONATE	1
6	HOUSING	SILICONE WITH NYLON THREAD	1
7	GROMMETS	RUBBER	5
8	FRICTION RING	NYLON	1
9	COMPRESSION NUT	NYLON	1
10	CABLE GLOVE	SILICONE	1

NOTES:
 1. SEE INSTRUCTION SHEET NUMBER 1301414770 FOR PRODUCT SPECIFICATION.
 2. CABLE RANGE FROM 0.375" TO 0.625"

SYMBOLS		THIS DRAWING CONTAINS INFORMATION THAT IS PROPRIETARY TO MOLEX ELECTRONIC TECHNOLOGIES, LLC AND SHOULD NOT BE USED WITHOUT WRITTEN PERMISSION		CURRENT REV DESC: RELEASED	
▽ = 0	DIMENSION UNITS	SCALE			
▽ = 0	INCH	NTS			
▽ = 0	GENERAL TOLERANCES (UNLESS SPECIFIED)				
▽ = 0	ANGULAR TOL	± 0.5°			
▽ = 0	4 PLACES	±	EC NO: 614930		
▽ = 0	3 PLACES	± 0.005	DRWN: VASUTHKARP 2019/04/04		
▽ = 0	2 PLACES	± 0.01	CHK'D: DNGUYEN62 2019/04/04		
▽ = 0	1 PLACE	± 0.02	APPR: HKNEELAND 2019/04/04		
▽ = 0	0 PLACES	±	INITIAL REVISION:		
▽ = 0	DRAFT WHERE APPLICABLE MUST REMAIN WITHIN DIMENSIONS		THIRD ANGLE PROJECTION		DRAWING SERIES
▽ = 0			C-SIZE		130146
DOCUMENT STATUS		P1	RELEASE DATE	2019/04/04	21:14:35
DOCUMENT NUMBER		CUSTOMER		DOC TYPE	DOC PART
1301460091		GENERAL MARKET		PSD	000
MATERIAL NUMBER		SHEET NUMBER		REVISION	
SEE TABLE		1 OF 1		A2	



WATERTITE CONNECTOR, L1-15R

PRODUCT CUSTOMER DRAWING

1301460091

GENERAL MARKET

A2

1 OF 1