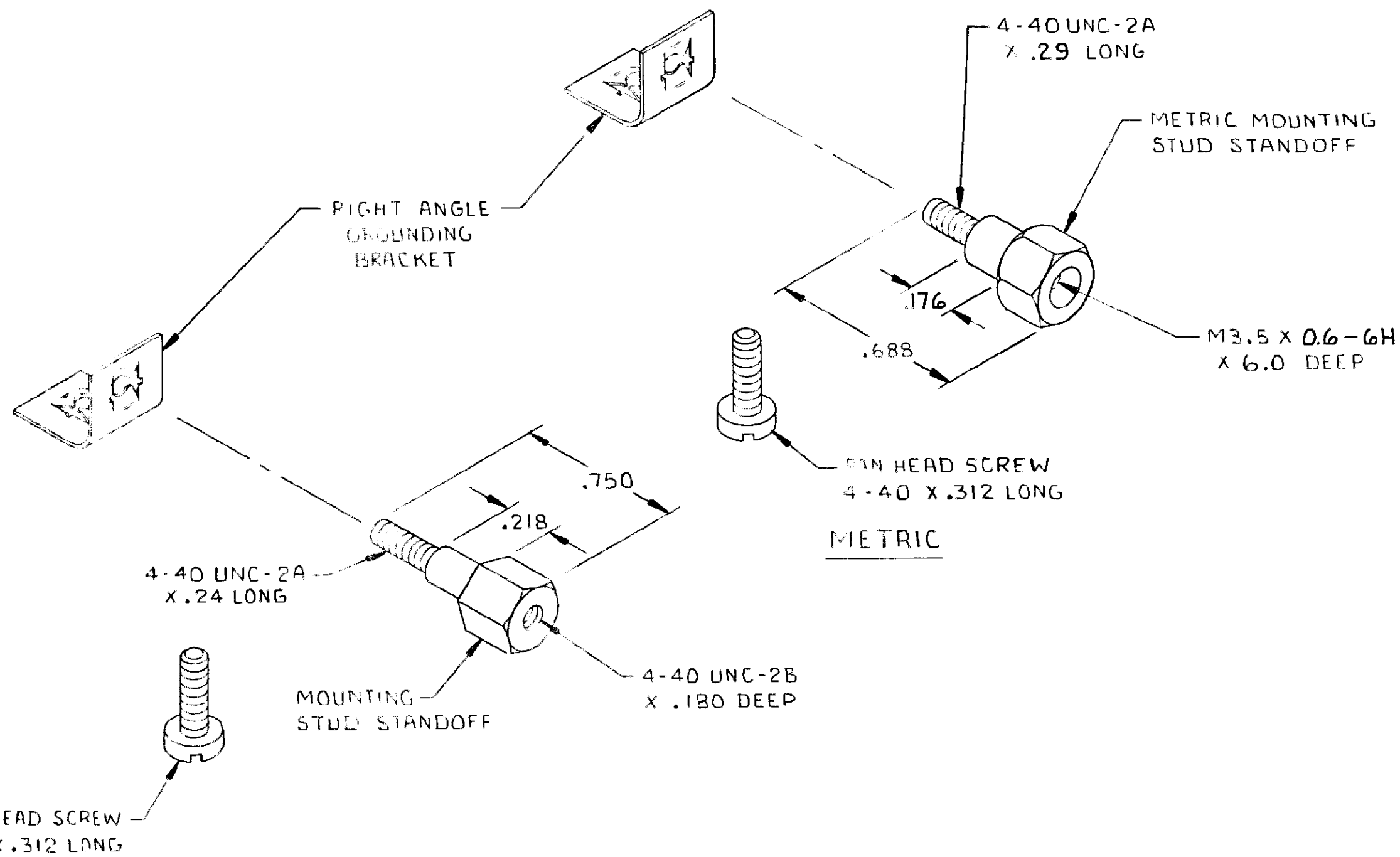


THIS DRAWING IS UNPUBLISHED. RELEASED FOR PUBLICATION . 19
 © COPYRIGHT 19 BY AMP INCORPORATED, HARRISBURG, PA. ALL INTERNATIONAL RIGHTS RESERVED. AMP PRODUCTS MAY BE COVERED BY U.S. AND FOREIGN PATENTS AND/OR PATENTS PENDING.

REVISIONS					
P	F	ZONE	DESCRIPTION	DATE	APPROVED
		C	OBS:-1; EC 0210-0373-95	11/14/78	DS PC



1. ALL DIMENSIONS SHOWN ARE FOR REFERENCE ONLY UNLESS OTHERWISE SPECIFIED.
 2. TWO PIECES OF EACH REQUIRED PER KIT.
 3. ALL HARDWARE SHIPPED UNASSEMBLED.
- △ MATERIAL: METRIC MOUNTING STUD - BLACK OXIDE COATED CARBON STEEL.
 MOUNTING STUD - ZINC PLATE WITH YELLOW CHROMATE OVER STEEL.
 PAN HEAD SCREW - PASSIVATED STAINLESS STEEL.
 BRACKET - ZINC PLATED STEEL.

553638

METRIC	553638-2
TYPE OF MOUNTING	PART NO

UNLESS OTHERWISE SPECIFIED DIMENSIONS ARE IN INCHES TOLERANCES ON: DECIMALS ± ANGLES ±	CONTRACT NO	AMP AMP INCORPORATED Harrisburg, Pa 17105		
	DR U Helt 11-12-81			
	MATERIAL	CHK MD Inlet 11-25-81	NAME KIT, HARDWARE, EMI, RIGHT ANGLE, STANDARD/METRIC (CHAMP)	
	FINISH	APPD APPD DSGN APPD OTHER APPD		
SIZE C		FSCM NO 00779	DRAWING NO 553638	
SCALE 2/1		SHEET 1 OF 1		