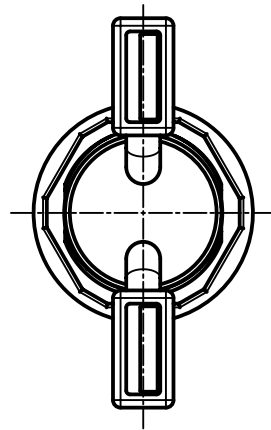
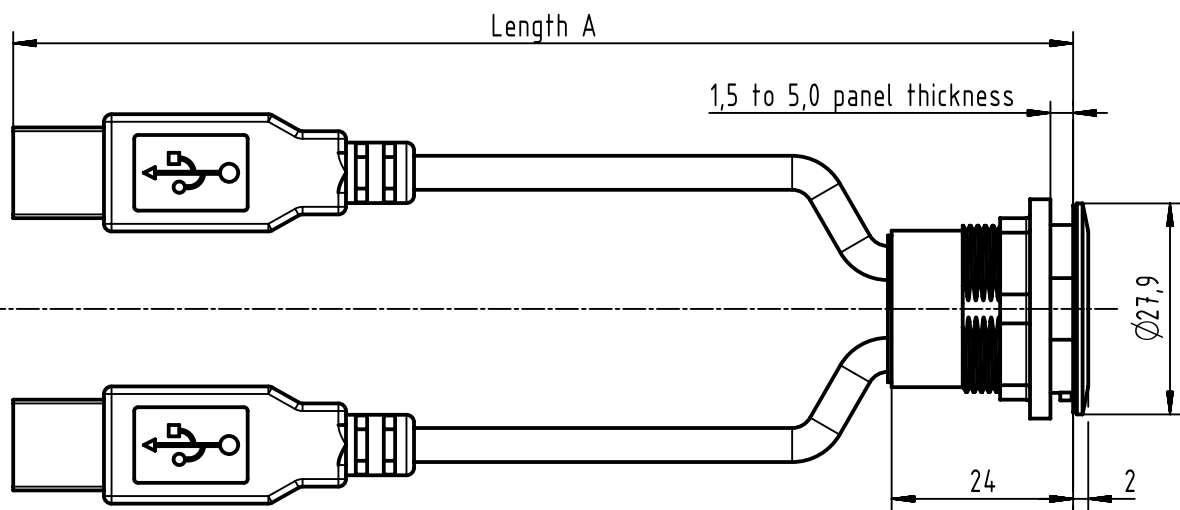


A

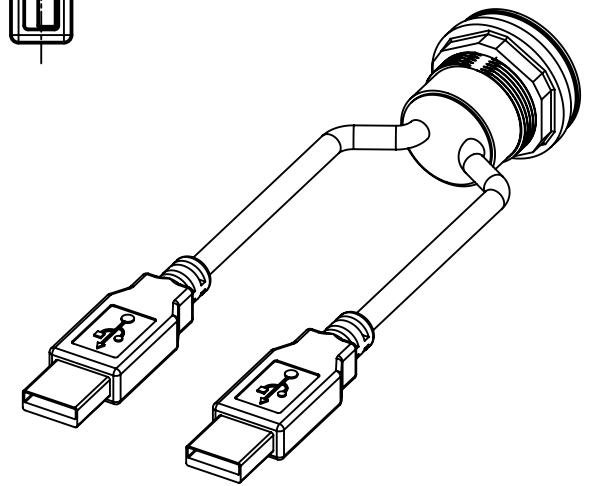
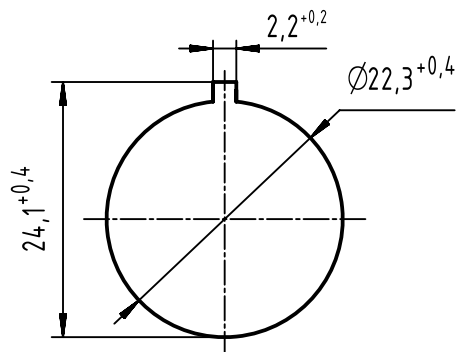
B

C

D



PANEL CUT DIMENSIONS



Length A	Part number
500mm	09 45 452 1950
1000mm	09 45 452 1951
1500mm	09 45 452 1952
2000mm	09 45 452 1953
3000mm	09 45 452 1954
5000mm	09 45 452 1955

	All rights reserved Department EL PD	All Dimensions in mm Original Size DIN A4		Scale 1:1	Free size tol.	Ref.
		Created by BALSAN	Inspected by PRIESTER	Standardisation HOFFMANN	Date 2019-08-26	State Final Release
HARTING Electronics GmbH D-32339 Espelkamp		Title har-port 2xUSB 2.0 A-A			Doc-Key / ECM-Nr. 100536556/UGD/001/C 500000154387	
		Type TB	Number 0945452195X		Rev. C	Page 1/1