

6

5

4

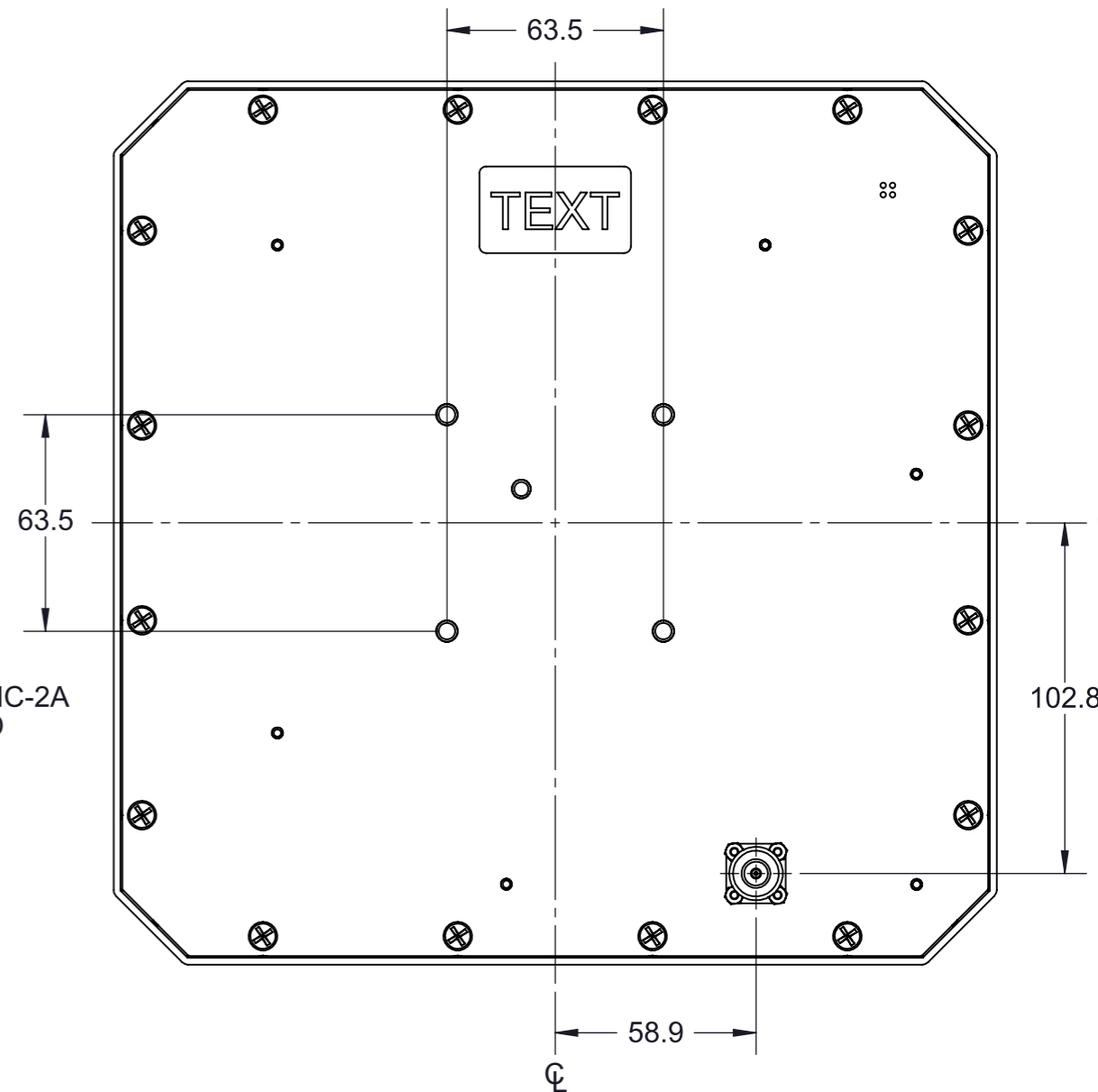
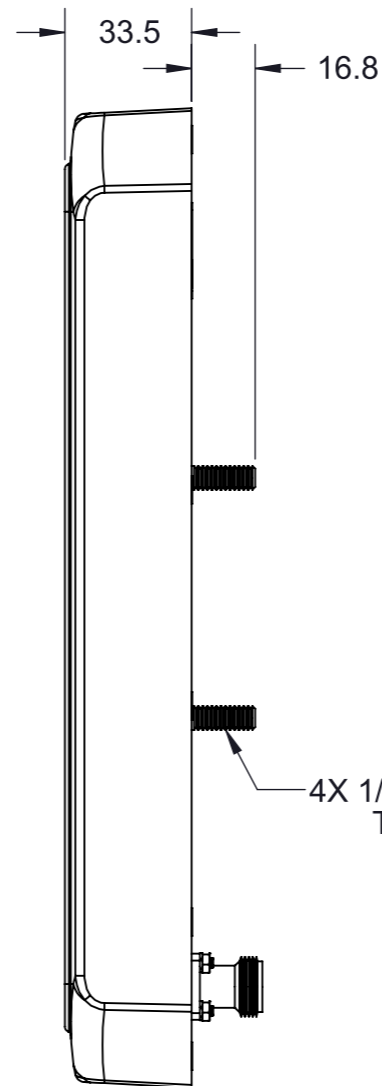
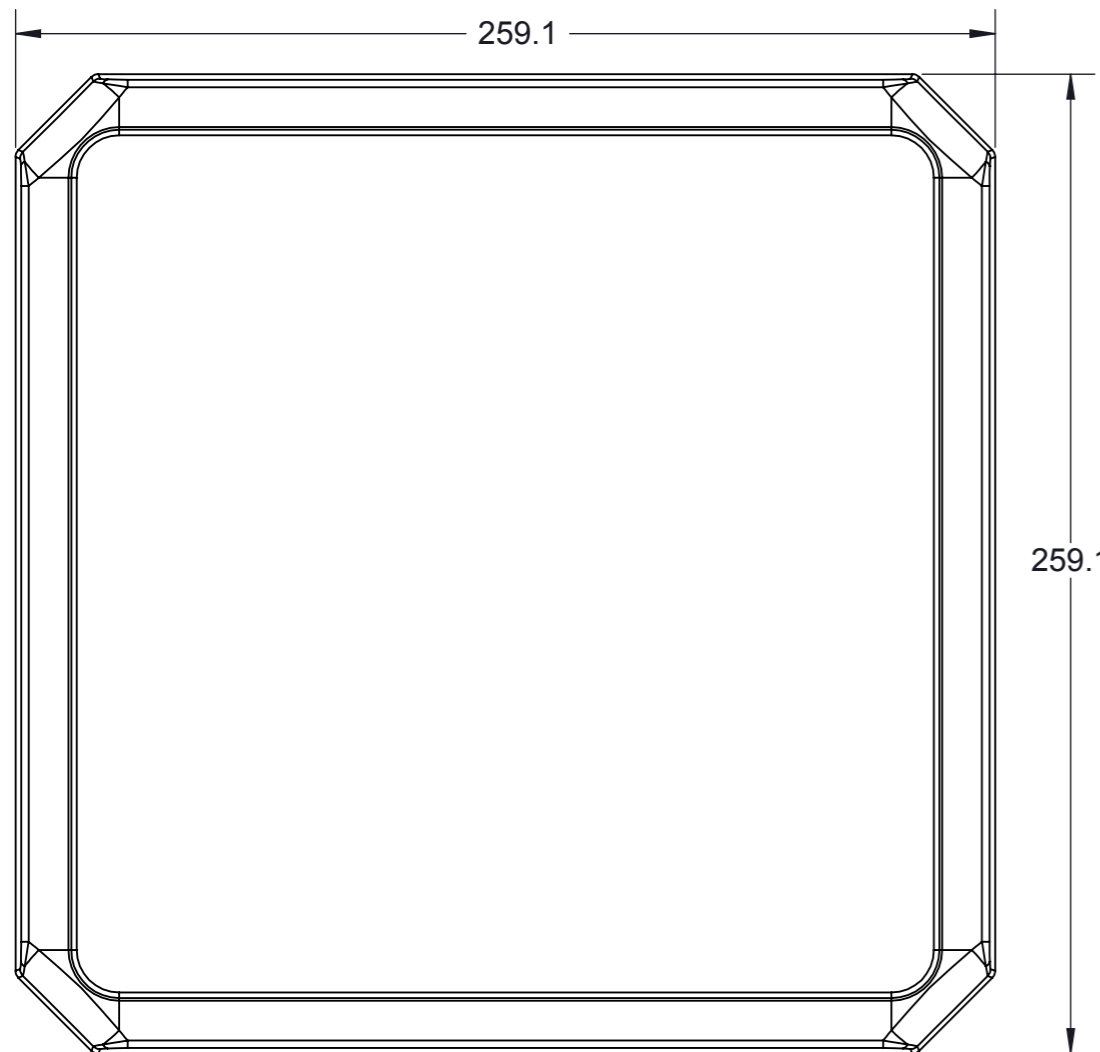
3

2

1

THIS DRAWING IS UNPUBLISHED.	RELEASED FOR PUBLICATION	- , - .
© Copyright 2022 TE Connectivity Ltd.	ALL RIGHTS RESERVED.	

REVISIONS					
REV.	ECR#	ZONE	DESCRIPTION	CHANGED BY/DATE	APPROVED BY/DATE
AA			PRODUCTION RELEASE	S.J. 7/9/2012	S.J. 7/9/2012



Parameter	Performance
Antenna Part Number	PAL90209H-FNF
Frequency	902-928 MHz
Gain	9dBic
Polarization	Left Hand Circular
VSWR	1.3:1
Beamwidth (3dB)	70° x 70°
Front to Back Ratio	20 dB
Axial Ratio	1 dB Typical
RF Connector	Fixed Type N-female
Power	10 Watts
Weight	1.0 kg

<b>MATERIAL:</b> N/A		THIRD ANGLE PROJECTION 
<b>FINISH:</b> N/A		
APPROVALS		DO NOT SCALE DRAWING
DRAWN BY	S. JOHNSON	DATE
PROJ. ENG.	T. PETROPOULOS	7/10/12
APPL. MECH.	K. SEARL	7/10/12
MFG.	B. THATCHER	7/10/12

INTERPRET DIMENSIONING AND TOLERANCING IN ACCORDANCE WITH ASME Y14.5M-2009

**TOLERANCES UNLESS OTHERWISE SPECIFIED**

DIMENSIONS ARE IN MILLIMETERS

ANGLE: ±30'  
 0 PLACE DECIMAL: ±0.5  
 1 PLACE DECIMAL: ±0.25  
 2 PLACE DECIMAL: ±0.13

SURFACE ROUGHNESS 1.6/√



TITLE:		
PAL90209H-FNF		
SIZE	DWG. NO.	REV
<b>A3</b>	PAL90209H-FNFMO	AA
SCALE: 1:2	PREVIOUS#	SHEET 1 OF 1

6

5

4

3

2

1