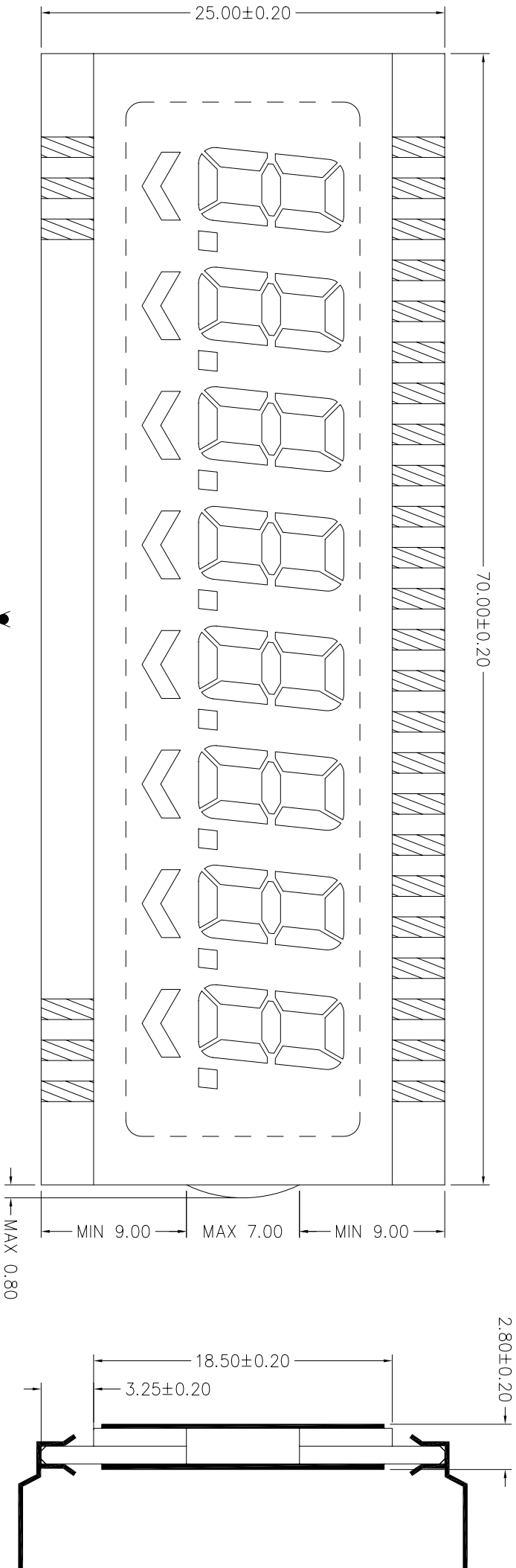


LAYOUT INSPECTION

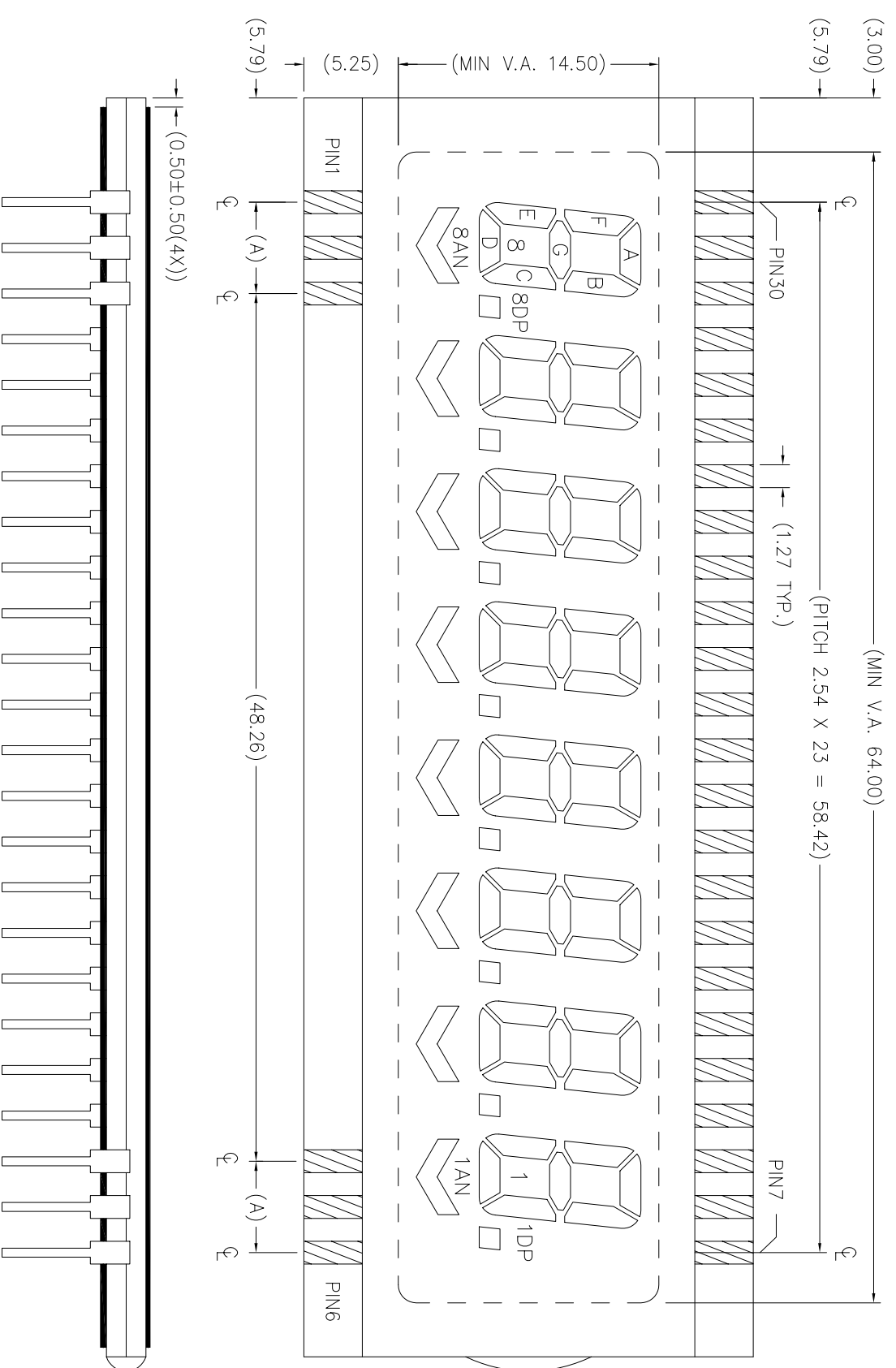
12



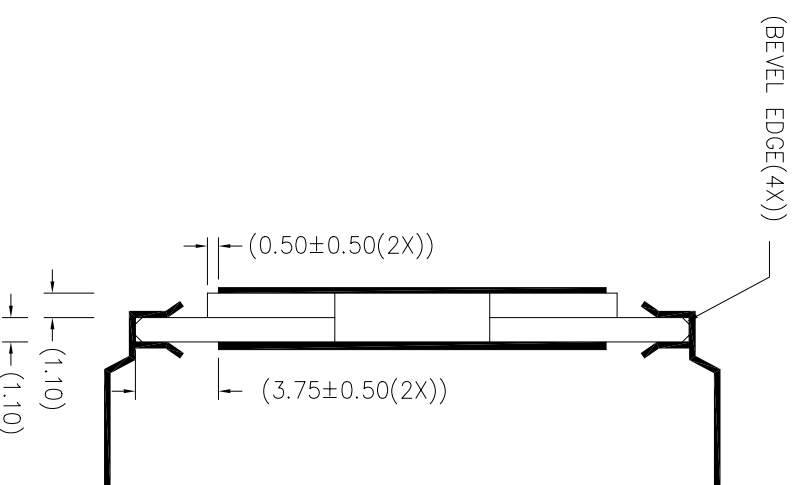
REMARKS: "◇" SPECIAL CHARACTERISTIC  
 "+" SAFETY CHARACTERISTIC  
 "()" REFERENCE ONLY  
 "▽" CUSTOMER CRITICAL DIMENSION

DWGNO. : <b>VIM-838-IP</b>		REV : <b>0</b>	
Dimension : mm		TDL : 4015 IF NOT SPECIFY	
Drawn by : QMZ		SIGN :	
Checked by : YIN		SIGN :	
DO NOT SCALE DRAWING		Date : 2003-06-13	
Date :		Date :	
3 <sup>rd</sup> ANGLE PROJECTION			

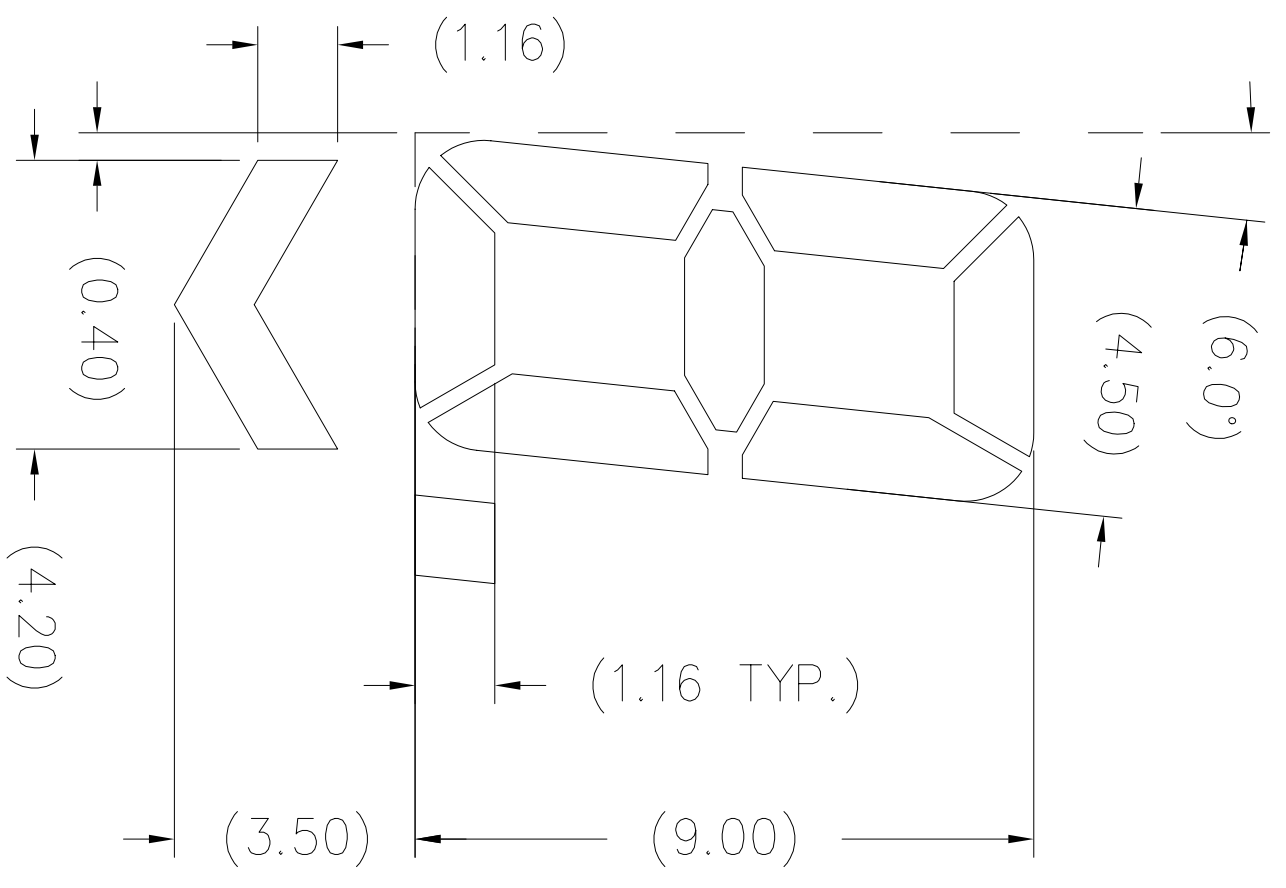
DWG.NO.: VM-838-DP (REV.0)



REMARKS : A = PITCH 2.54 X 2 = 5.08 & PAD WIDTH IS 1.27 mm

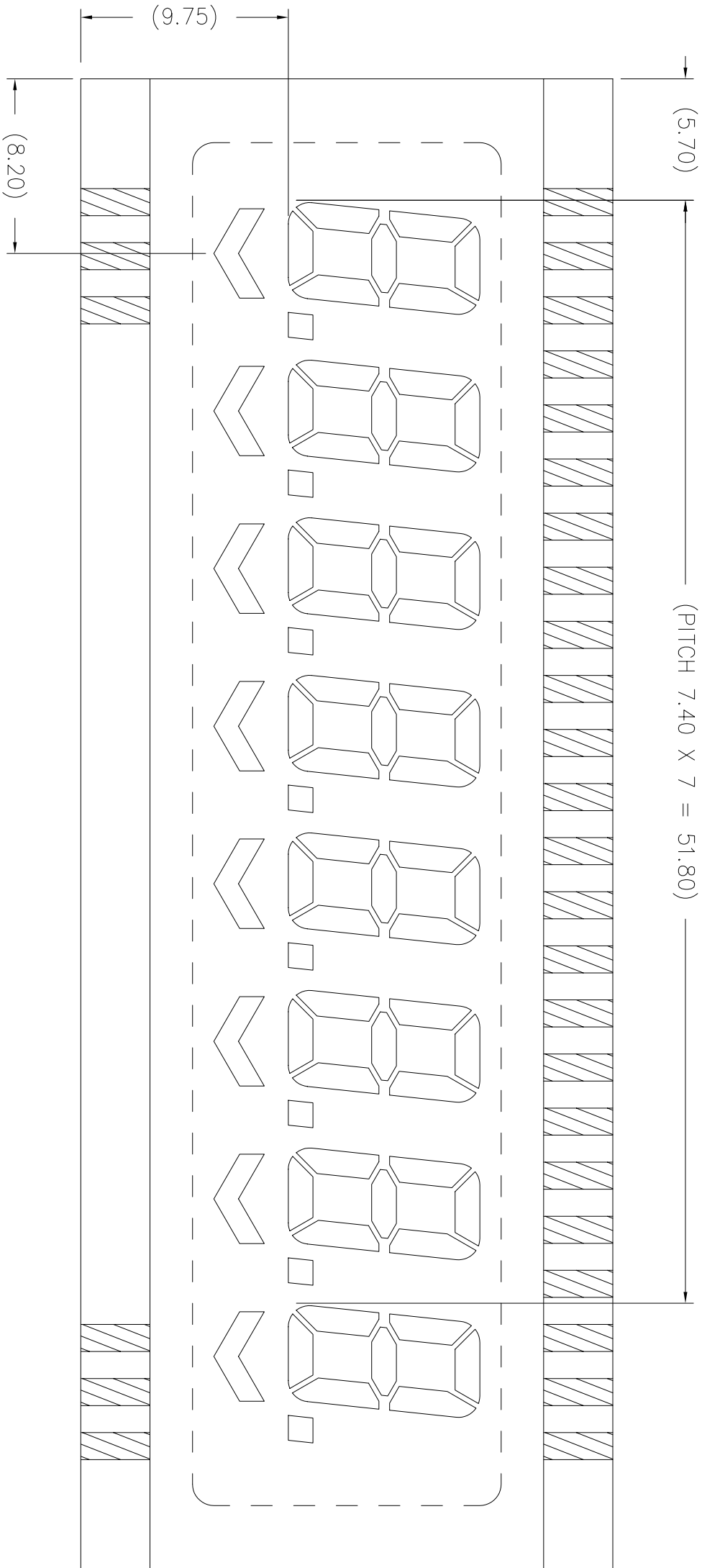


DWG. NO.: VIM-838-DP (REV.0)



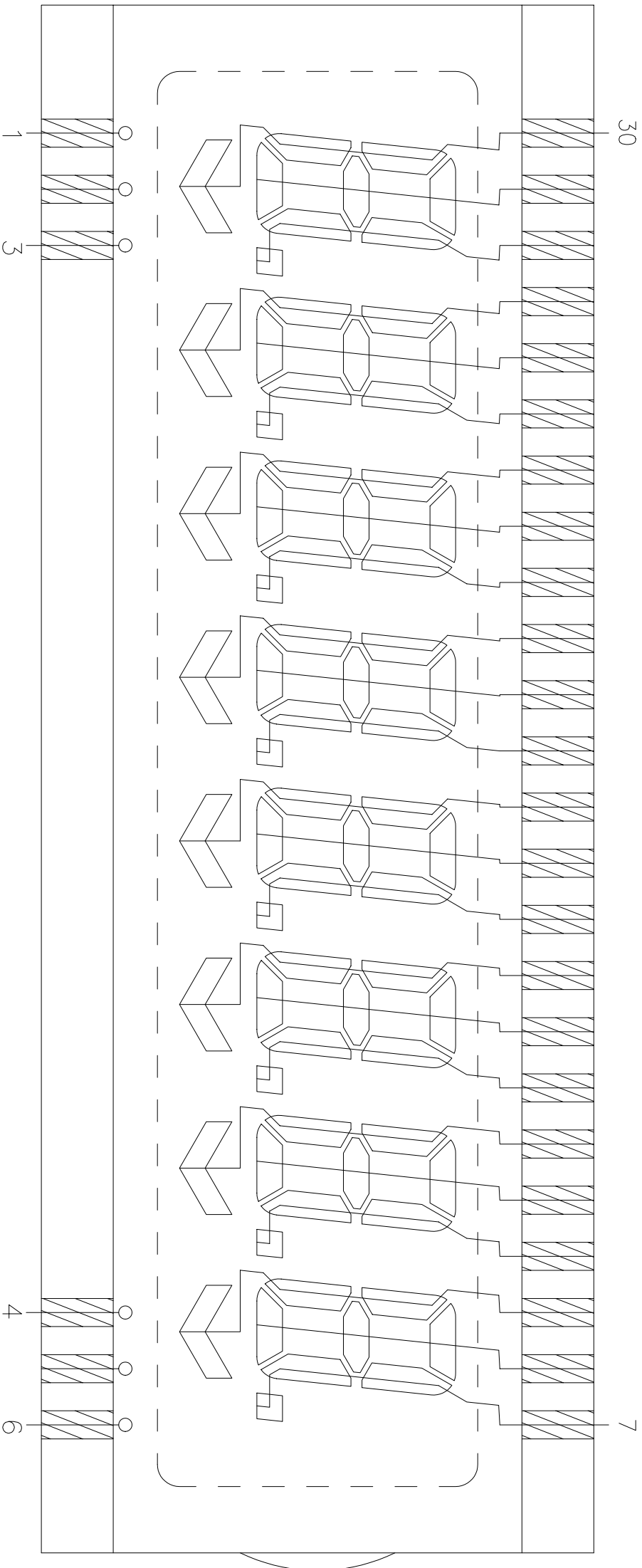
DIGIT 1-8

DWG.NO.: VM-838-DP (REV.0)



DWG.NO.: VIM-838-DP (REV.0)

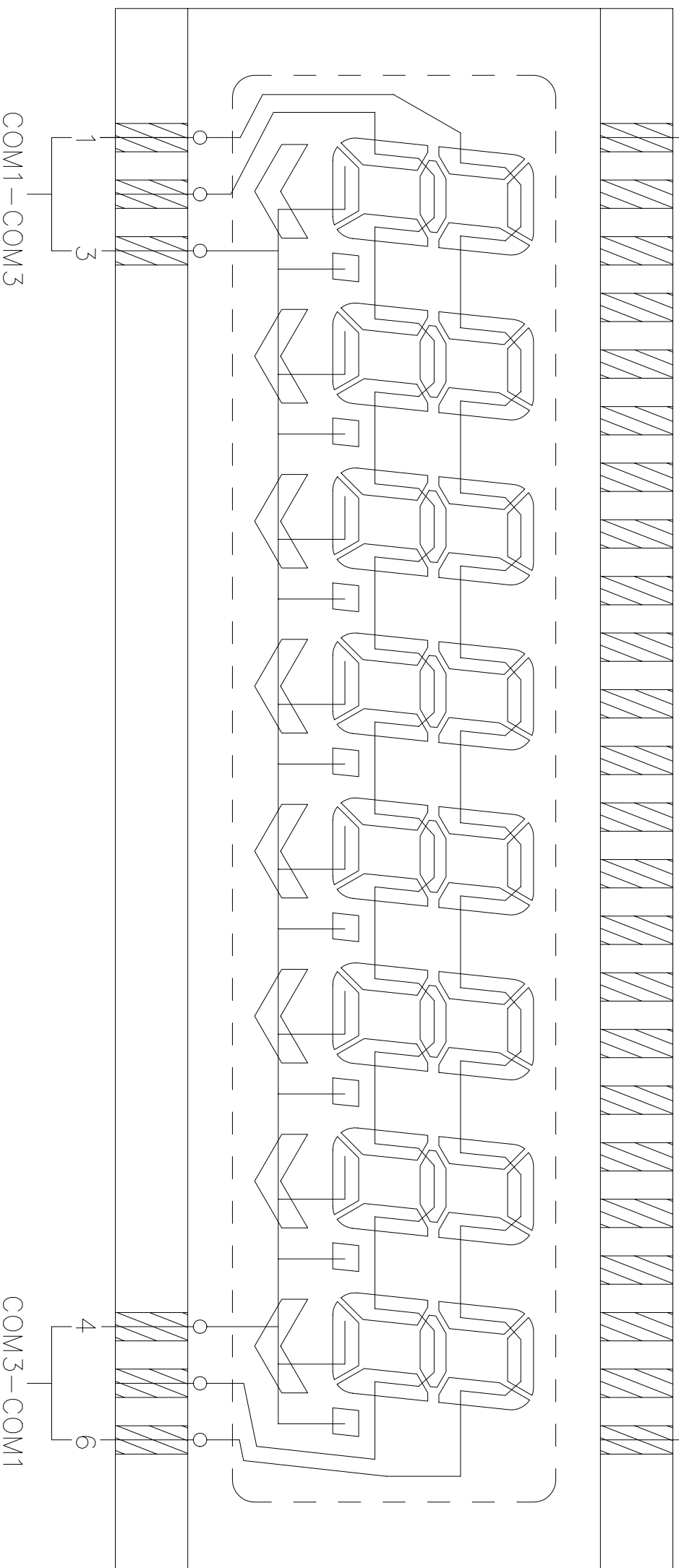
SEGMENT TRACKING



DWG.NO.: VM-838-DP (REV.0)  
COMMON TRACKING

30

7



COM1-COM3

COM3-COM1

REMARKS: SAME COMMON SHOULD BE CONNECTED TOGETHER ON P.C.B.

VARITRONIX LIMITED

**POLARIZER LOCATION DIAGRAM**

OPEN LAYER :

P

SCALE

Do not scale

Drawn by : QWZ

Date : 2003-06-13

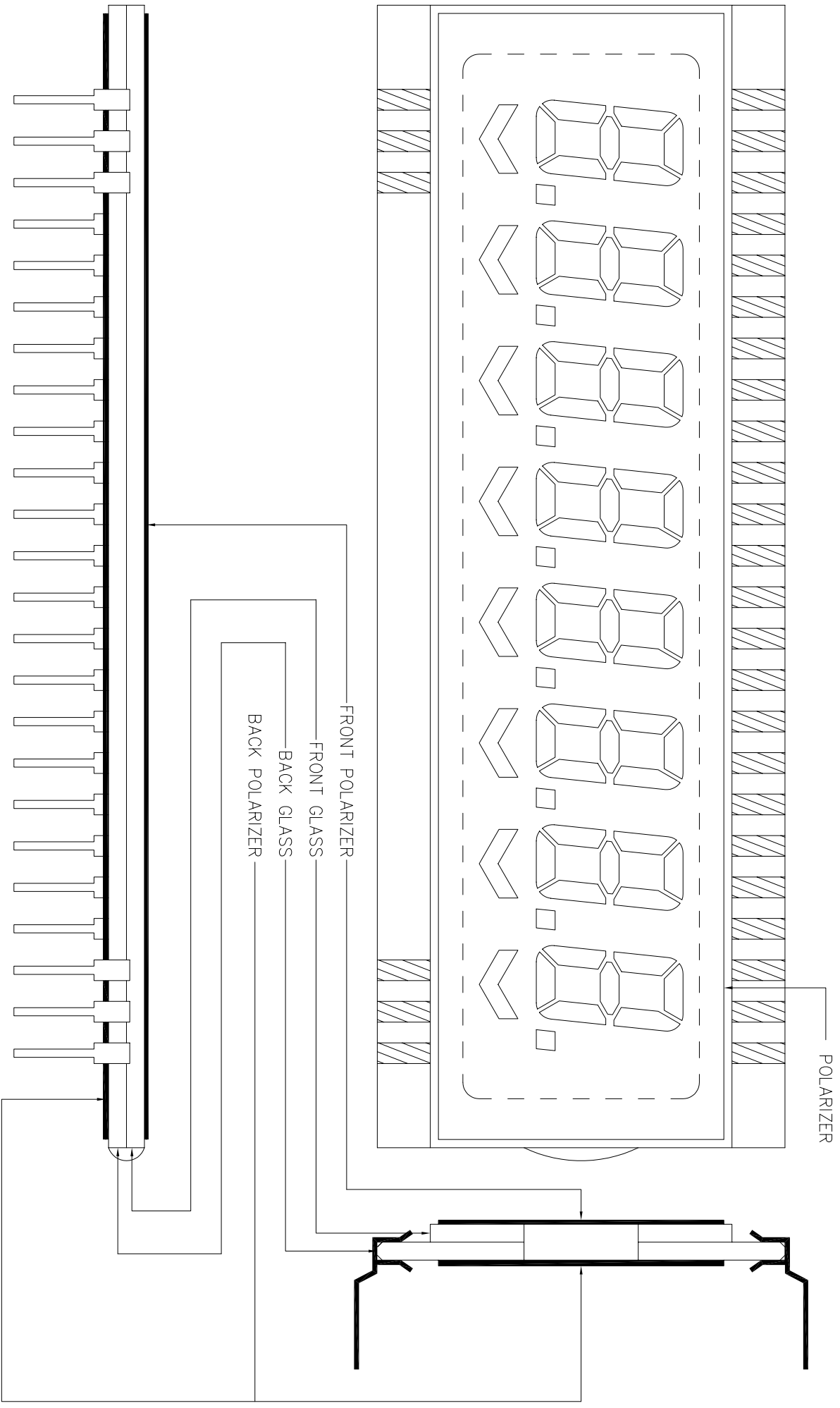
DOC. NO. : PL-VIM-838-DP-01

Checked by : INA

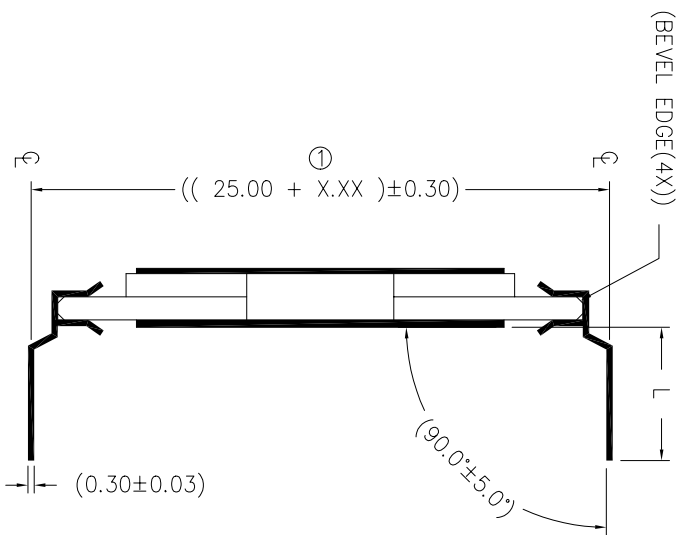
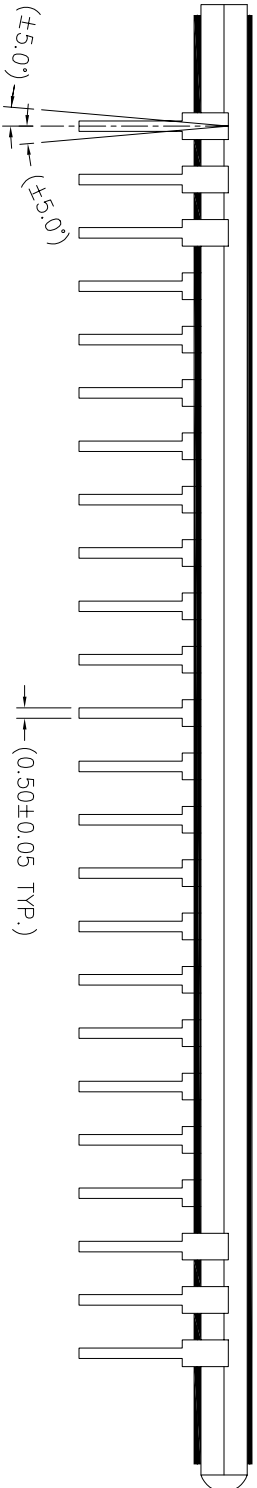
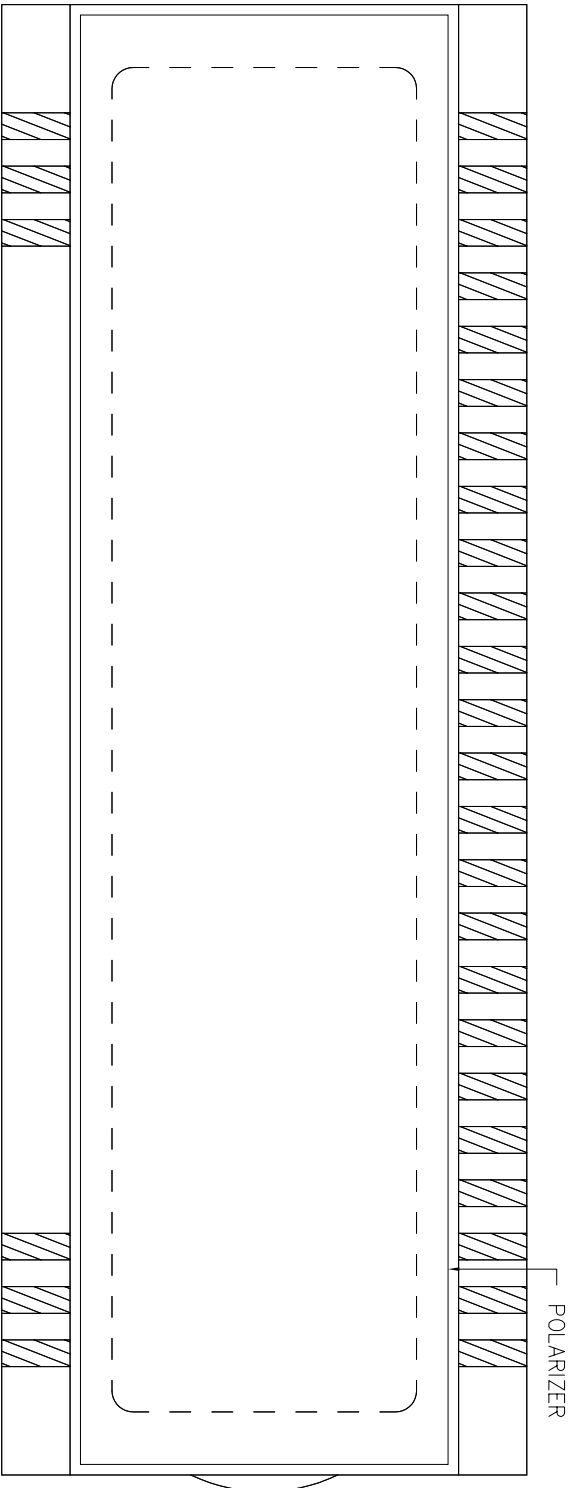
Date : 2003-06-16

Approval by :

Date : 2003-06-16



VARITRONIX LIMITED		OPEN LAYER :	SCALE
<b>DIL-PIN DETAILS LOCATION DIAGRAM</b>		DP-L0	Do not scale
DOC. NO. :	DP-V/IM-838-DP-01	Drawn by : QMZ	Date : 2003-06-13
		Checked by : INA	Date : 2003-06-16
ALL DIMENSIONS IN	mm	Approval by :	Date : 2003-06-16



REMARKS: PIN LENGTH (L) REFER TO COVER PAGE

- ① ----- X.XX=2.54 (FOR PIN LENGTH  $\geq$  3.20 &  $\leq$  10.00mm)
- X.XX=1.75 (FOR PIN LENGTH  $>$  10.00 &  $\leq$  19.50mm)



PIN	COM1	COM2	COM3
1	COM1	----	----
2	----	COM2	----
3	----	----	COM3
4	----	----	COM3
5	----	COM2	----
6	COM1	----	----
7	1B	1C	1DP
8	1A	1G	1D
9	1F	1E	1AN
10	2B	2C	2DP
11	2A	2G	2D
12	2F	2E	2AN
13	3B	3C	3DP
14	3A	3G	3D
15	3F	3E	3AN
16	4B	4C	4DP
17	4A	4G	4D
18	4F	4E	4AN
19	5B	5C	5DP
20	5A	5G	5D
21	5F	5E	5AN
22	6B	6C	6DP
23	6A	6G	6D
24	6F	6E	6AN
25	7B	7C	7DP
26	7A	7G	7D
27	7F	7E	7AN
28	8B	8C	8DP
29	8A	8G	8D
30	8F	8E	8AN

REMARK: SAME COMMON SHOULD BE CONNECTED TOGETHER ON P.C.B.