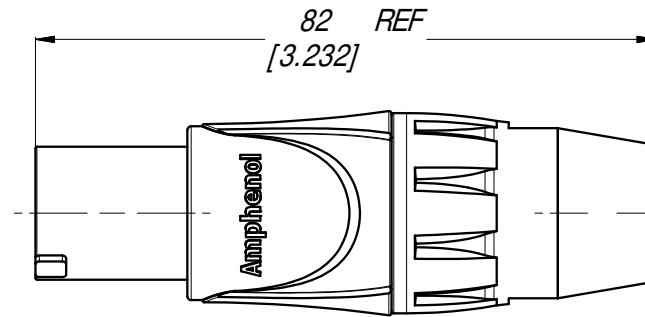


3D VIEW
1:1



UL CERTIFICATE 20140623-E339831

UNLESS OTHERWISE SPECIFIED TOLERANCE TO BE		THIS DOCUMENT IS THE PROPERTY OF AMPHENOL AUSTRALIA PTY. LTD. NO PART THEREOF MAY BE REPRODUCED AND USED WITHOUT THE PRIOR WRITTEN CONSENT OF THE OWNER.				Amphenol Amphenol Australia Pty.Ltd, 22 Industry Blvd Carrum Downs, VIC 3201	
LINEAR	ANGULAR	MATERIAL:	DRN: T.N	DATE: 21/01/14	TITLE:	PART No:	REV
X ±	X' ±	FINISH:	CKD: P.M	DATE: 22/01/14	CONNECTOR PLUG	HP-3-FG	1
X.X ±	X.X' ±		APPD: P.M	DATE: 22/01/14	POWER OUT 20A GREY	DRAWING No.	SHEET
X.XX ±	X.XX' ±		SCALE: 1:1	SIZE: A4	CUSTOMER DWG	55010926-000	2/2
BREAK ALL SHARP EDGES AND REMOVE ALL BURRS		DIMENSIONS IN MILLIMETRES		THIRD ANGLE PROJECTION		CB4.17.F1	
DO NOT SCALE							