

National Semiconductor is now part of  
Texas Instruments.

Search <http://www.ti.com/> for the latest technical  
information and details on our current products and services.

# DS1691A/DS3691 (RS-422/RS-423) Line Drivers with TRI-STATE® Outputs

## General Description

The DS1691A/DS3691 are low power Schottky TTL line drivers designed to meet the requirements of EIA standards RS-422 and RS-423. They feature 4 buffered outputs with high source and sink current capability with internal short circuit protection. A mode control input provides a choice of operation either as 4 single-ended line drivers or 2 differential line drivers. A rise time control pin allows the use of an external capacitor to slow the rise time for suppression of near end crosstalk to other receivers in the cable. Rise time capacitors are primarily intended for waveshaping output signals in the single-ended driver mode. Multipoint applications in differential mode with waveshaping capacitors is not allowed.

With the mode select pin low, the DS1691A/DS3691 are dual-differential line drivers with TRI-STATE outputs. They feature  $\pm 10V$  output common-mode range in TRI-STATE mode and 0V output unbalance when operated with  $\pm 5V$  supply.

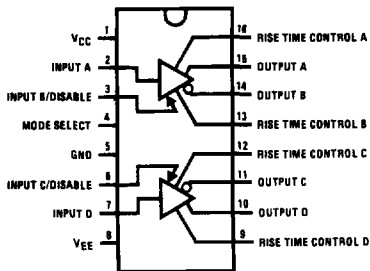
## Features

- Dual RS-422 line driver with mode pin low, or quad RS-423 line driver with mode pin high
- TRI-STATE outputs in RS-422 mode
- Short circuit protection for both source and sink outputs
- Outputs will not clamp line with power off or in TRI-STATE
- 100 $\Omega$  transmission line drive capability
- Low  $I_{CC}$  and  $I_{EE}$  power consumption
  - RS-422  $I_{CC} = 9 \text{ mA/driver typ}$
  - RS-423  $I_{CC} = 4.5 \text{ mA/driver typ}$
  - $I_{EE} = 2.5 \text{ mA/driver typ}$
- Low current PNP inputs compatible with TTL, MOS and CMOS
- Pin compatible with AM26LS30

**3**

## Connection Diagrams

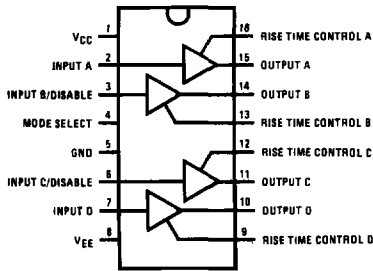
With Mode Select LOW  
(RS-422 Connection)



Top View

TL/F/5783-1

With Mode Select HIGH  
(RS-423 Connection)



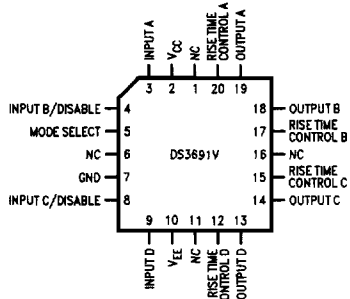
Top View

TL/F/5783-2

## Truth Table

Operation	Inputs			Outputs	
	Mode	A (D)	B (C)	A (D)	B (C)
RS-422	0	0	0	0	1
	0	0	1	TRI-STATE	TRI-STATE
	0	1	0	1	0
	0	1	1	TRI-STATE	TRI-STATE
RS-423	1	0	0	0	0
	1	0	1	0	1
	1	1	0	1	0
	1	1	1	1	1

Order Number DS1691AJ, DS3691J,  
DS3691M, DS3691N or DS3691V  
See NS Package Number J16A, M16A, N16A or V20A  
For Complete Military 883 Specifications,  
see RETS Data Sheet  
Order Number DS1691AJ/883  
See NS Package Number J16A



Top View

TL/F/5783-18

**Absolute Maximum Ratings** (Note 1)

If Military/Aerospace specified devices are required, please contact the National Semiconductor Sales Office/Distributors for availability and specifications.

Supply Voltage	
V <sub>CC</sub>	7V
V <sub>EE</sub>	-7V
Maximum Power Dissipation* at 25°C	
Cavity Package	1509 mW
Molded DIP Package	1476 mW
SO Package	1051 mW
Input Voltage	15V
Output Voltage (Power OFF)	±15V
Storage Temperature	-65°C to +150°C
Lead Temperature (Soldering, 4 seconds)	260°C

\*Derate cavity package 10.1 mW/°C above 25°C; derate molded DIP package 11.9 mW/°C above 25°C. Derate SO package 8.41 mW/°C above 25°C.

**Operating Conditions**

	Min	Max	Units
Supply Voltage			
DS1691A			
V <sub>CC</sub>	4.5	5.5	V
V <sub>EE</sub>	-4.5	-5.5	V
DS3691			
V <sub>CC</sub>	4.75	5.25	V
V <sub>EE</sub>	-4.75	-5.25	V
Temperature (T <sub>A</sub> )			
DS1691A	-55	+125	°C
DS3691	0	+70	°C

**DC Electrical Characteristics** (Notes 2, 3, 4 and 5)

Symbol	Parameter	Conditions	Min	Typ	Max	Units	
<b>RS-422 CONNECTION, V<sub>EE</sub> CONNECTION TO GROUND, MODE SELECT ≤ 0.8V</b>							
V <sub>IH</sub>	High Level Input Voltage		2			V	
V <sub>IL</sub>	Low Level Input Voltage				0.8	V	
I <sub>IH</sub>	High Level Input Current	V <sub>IN</sub> = 2.4V		1	40	μA	
		V <sub>IN</sub> ≤ 15V		10	100	μA	
I <sub>IL</sub>	Low Level Input Current	V <sub>IN</sub> = 0.4V		-30	-200	μA	
V <sub>I</sub>	Input Clamp Voltage	I <sub>IN</sub> = -12 mA			-1.5	V	
V <sub>O</sub> V <sub>O</sub>	Differential Output Voltage V <sub>A,B</sub>	R <sub>L</sub> = ∞	V <sub>IN</sub> = 2V		3.6	6.0	V
			V <sub>IN</sub> = 0.8V		-3.6	-6.0	V
V <sub>T</sub> V <sub>T</sub>	Differential Output Voltage V <sub>A,B</sub>	R <sub>L</sub> = 100Ω V <sub>CC</sub> ≥ 4.75V	V <sub>IN</sub> = 2V	2	2.4	V	
			V <sub>IN</sub> = 0.8V	-2	-2.4	V	
V <sub>OS</sub> , V <sub>OS</sub>	Common-Mode Offset Voltage	R <sub>L</sub> = 100Ω		2.5	3	V	
V <sub>T</sub>   -  V <sub>T</sub>	Difference in Differential Output Voltage	R <sub>L</sub> = 100Ω		0.05	0.4	V	
V <sub>OS</sub>   -  V <sub>OS</sub>	Difference in Common-Mode Offset Voltage	R <sub>L</sub> = 100Ω		0.05	0.4	V	
V <sub>SS</sub>	V <sub>T</sub> - V <sub>T</sub>	R <sub>L</sub> = 100Ω, V <sub>CC</sub> ≥ 4.75V	4.0	4.8		V	
V <sub>CMR</sub>	Output Voltage Common-Mode Range	V <sub>DISABLE</sub> = 2.4V	±10			V	
I <sub>XA</sub> I <sub>XB</sub>	Output Leakage Current Power OFF	V <sub>CC</sub> = 0V	V <sub>CMR</sub> = 10V		100	μA	
			V <sub>CMR</sub> = -10V		-100	μA	
I <sub>OX</sub>	TRI-STATE Output Current	V <sub>CC</sub> = Max V <sub>EE</sub> = 0V and -5V	V <sub>CMR</sub> ≤ 10V		100	μA	
			V <sub>CMR</sub> ≥ -10V		-100	μA	
I <sub>SA</sub>	Output Short Circuit Current	V <sub>IN</sub> = 0.4V	V <sub>OA</sub> = 6V	80	150	mA	
			V <sub>OB</sub> = 0V	-80	-150	mA	
I <sub>SB</sub>	Output Short Circuit Current	V <sub>IN</sub> = 2.4V	V <sub>OA</sub> = 0V	-80	-150	mA	
			V <sub>OB</sub> = 6V	80	150	mA	
I <sub>CC</sub>	Supply Current			18	30	mA	

**AC Electrical Characteristics**  $T_A = 25^\circ\text{C}$  (Note 5)

Symbol	Parameter	Conditions	Min	Typ	Max	Units
<b>RS-422 CONNECTION, <math>V_{CC} = 5\text{V}</math>, MODE SELECT = 0.8V</b>						
$t_r$	Output Rise Time	$R_L = 100\Omega$ , $C_L = 500\text{ pF}$ (Figure 1)		120	200	ns
$t_f$	Output Fall Time	$R_L = 100\Omega$ , $C_L = 500\text{ pF}$ (Figure 1)		120	200	ns
$t_{PDH}$	Output Propagation Delay	$R_L = 100\Omega$ , $C_L = 500\text{ pF}$ (Figure 1)		120	200	ns
$t_{PDL}$	Output Propagation Delay	$R_L = 100\Omega$ , $C_L = 500\text{ pF}$ (Figure 1)		120	200	ns
$t_{pZL}$	TRI-STATE Delay	$R_L = 450\Omega$ , $C_L = 500\text{ pF}$ , $C_C = 0\text{ pF}$ (Figure 4)		250	350	ns
$t_{pZH}$	TRI-STATE Delay	$R_L = 450\Omega$ , $C_L = 500\text{ pF}$ , $C_C = 0\text{ pF}$ (Figure 4)		180	300	ns
$t_{PLZ}$	TRI-STATE Delay	$R_L = 450\Omega$ , $C_L = 500\text{ pF}$ , $C_C = 0\text{ pF}$ (Figure 4)		180	300	ns
$t_{PHZ}$	TRI-STATE Delay	$R_L = 450\Omega$ , $C_L = 500\text{ pF}$ , $C_C = 0\text{ pF}$ (Figure 4)		250	350	ns

**DC Electrical Characteristics** (Notes 2, 3, 4 and 5)

Symbol	Parameter	Conditions	Min	Typ	Max	Units	
<b>RS-423 CONNECTION, <math> V_{CC}  =  V_{EE} </math>, MODE SELECT <math>\geq 2\text{V}</math></b>							
$V_{IH}$	High Level Input Voltage		2			V	
$V_{IL}$	Low Level Input Voltage				0.8	V	
$I_{IH}$	High Level Input Current	$V_{IN} = 2.4\text{V}$ $V_{IN} \leq 15\text{V}$		1 10	40 100	$\mu\text{A}$	
$I_{IL}$	Low Level Input Current	$V_{IN} = 0.4\text{V}$		-30	-200	$\mu\text{A}$	
$V_I$	Input Clamp Voltage	$I_{IN} = -12\text{ mA}$			-1.5	V	
$V_O$ $\overline{V_O}$	Output Voltage	$R_L = \infty$ , (Note 6) $V_{CC} \geq 4.75\text{V}$	$V_{IN} = 2\text{V}$ $V_{IN} = 0.4\text{V}$	4.0 -4.0	4.4 -4.4	6.0 -6.0	V
$V_T$ $\overline{V_T}$	Output Voltage	$R_L = 450\Omega$ $V_{CC} \geq 4.75\text{V}$	$V_{IN} = 2.4\text{V}$ $V_{IN} = 0.4\text{V}$	3.6 -3.6	4.1 -4.1	V	
$ V_T  -  \overline{V_T} $	Output Unbalance	$ V_{CC}  =  V_{EE}  = 4.75\text{V}$ , $R_L = 450\Omega$		0.02	0.4	V	
$I_{X^+}$	Output Leakage Power OFF	$V_{CC} = V_{EE} = 0\text{V}$ $V_O = 6\text{V}$		2	100	$\mu\text{A}$	
$I_{X^-}$	Output Leakage Power OFF	$V_{CC} = V_{EE} = 0\text{V}$ $V_O = -6\text{V}$		-2	-100	$\mu\text{A}$	
$I_{S^+}$	Output Short Circuit Current	$V_O = 0\text{V}$ $V_{IN} = 2.4\text{V}$		-80	-150	mA	
$I_{S^-}$	Output Short Circuit Current	$V_O = 0\text{V}$ $V_{IN} = 0.4\text{V}$		80	150	mA	
$I_{SLEW}$	Slew Control Current			$\pm 140$		$\mu\text{A}$	
$I_{CC}$	Positive Supply Current	$V_{IN} = 0.4\text{V}$ , $R_L = \infty$		18	30	mA	
$I_{EE}$	Negative Supply Current	$V_{IN} = 0.4\text{V}$ , $R_L = \infty$		-10	-22	mA	

**Note 1:** "Absolute Maximum Ratings" are those values beyond which the safety of the device cannot be guaranteed. They are not meant to imply that the devices should be operated at these limits. The tables of "Electrical Characteristics" provide conditions for actual device operation.

**Note 2:** Unless otherwise specified, min/max limits apply across the  $-55^\circ\text{C}$  to  $+125^\circ\text{C}$  temperature range for the DS1691A and across the  $0^\circ\text{C}$  to  $+70^\circ\text{C}$  range for the DS3691. All typicals are given for  $V_{CC} = 5\text{V}$  and  $T_A = 25^\circ\text{C}$ .  $V_{CC}$  and  $V_{EE}$  as listed in operating conditions.

**Note 3:** All currents into device pins are positive; all currents out of device pins are negative. All voltages are referenced to ground unless otherwise specified.

**Note 4:** Only one output at a time should be shorted.

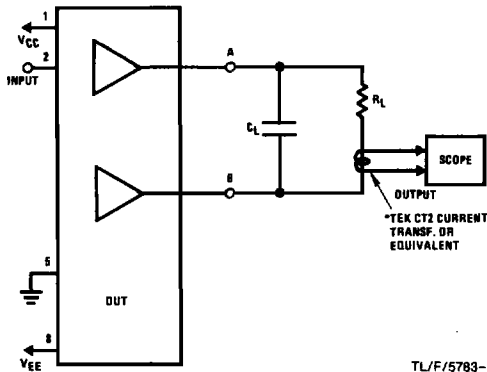
**Note 5:** Symbols and definitions correspond to EIA RS-422 and/or RS-423 where applicable.

**Note 6:** At  $-55^\circ\text{C}$ , the output voltage is  $+3.9\text{V}$  minimum and  $-3.9\text{V}$  minimum.

## AC Electrical Characteristics $T_A = 25^\circ\text{C}$ (Note 5)

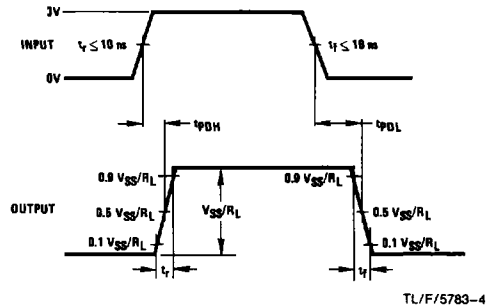
Symbol	Parameter	Conditions	Min	Typ	Max	Units
<b>RS-423 CONNECTION, <math>V_{CC} = 5\text{V}</math>, <math>V_{EE} = -5\text{V}</math>, MODE SELECT = 2.4V</b>						
$t_r$	Rise Time	$R_L = 450\Omega$ , $C_L = 500\text{pF}$ , $C_C = 0$ (Figure 2)		120	300	ns
$t_f$	Fall Time	$R_L = 450\Omega$ , $C_L = 500\text{pF}$ , $C_C = 0$ (Figure 2)		120	300	ns
$t_r$	Rise Time	$R_L = 450\Omega$ , $C_L = 500\text{pF}$ , $C_C = 50\text{pF}$ (Figure 3)		3.0		$\mu\text{s}$
$t_f$	Fall Time	$R_L = 450\Omega$ , $C_L = 500\text{pF}$ , $C_C = 50\text{pF}$ (Figure 3)		3.0		$\mu\text{s}$
$t_{rc}$	Rise Time Coefficient	$R_L = 450\Omega$ , $C_L = 500\text{pF}$ , $C_C = 50\text{pF}$ (Figure 3)		0.06		$\mu\text{s}/\text{pF}$
$t_{PDH}$	Output Propagation Delay	$R_L = 450\Omega$ , $C_L = 500\text{pF}$ , $C_C = 0$ (Figure 2)		180	300	ns
$t_{PDL}$	Output Propagation Delay	$R_L = 450\Omega$ , $C_L = 500\text{pF}$ , $C_C = 0$ (Figure 2)		180	300	ns

### AC Test Circuits and Switching Time Waveforms

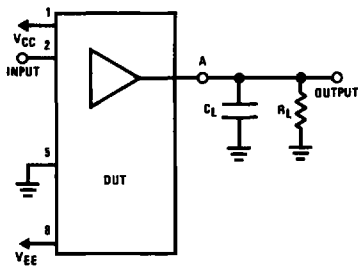


TL/F/5783-3

FIGURE 1. Differential Connection

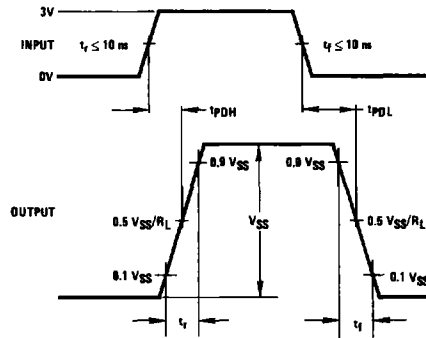


TL/F/5783-4



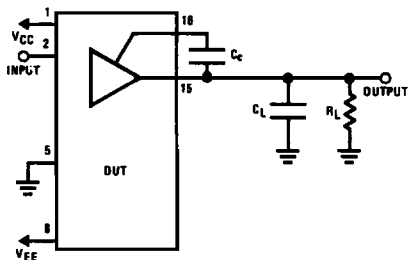
TL/F/5783-5

FIGURE 2. RS-423 Connection

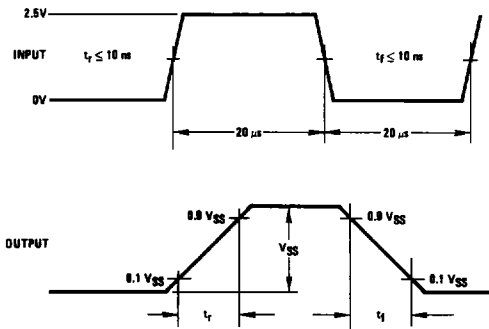


TL/F/5783-6

AC Test Circuits and Switching Time Waveforms (Continued)

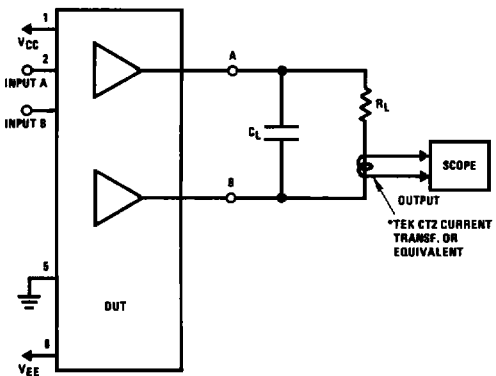


TL/F/5783-7

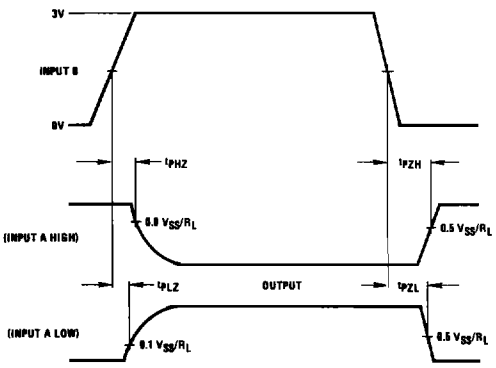


TL/F/5783-8

FIGURE 3. Rise Time Control for RS-423



TL/F/5783-9



TL/F/5783-10

FIGURE 4. TRI-STATE Delays

Switching Waveforms

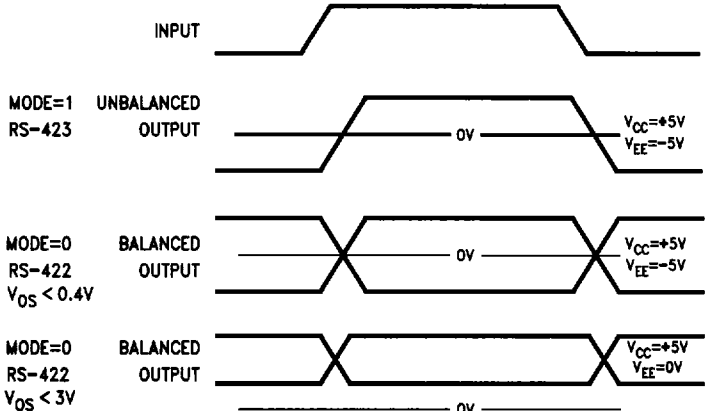
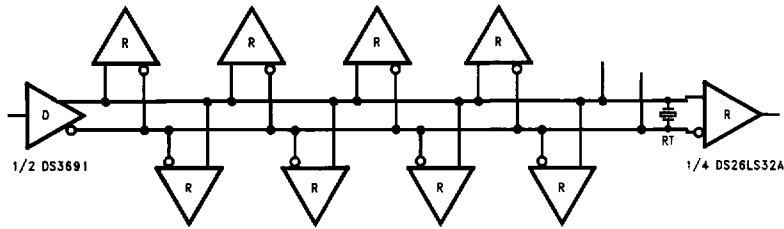


FIGURE 5. Typical Output Voltage

TL/F/5783-11

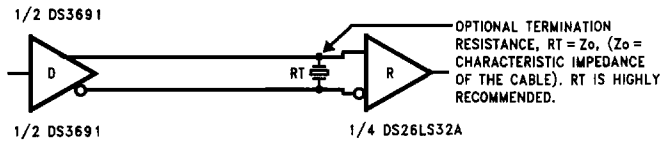
# Typical Application Information

Fully Loaded RS-422 Interface



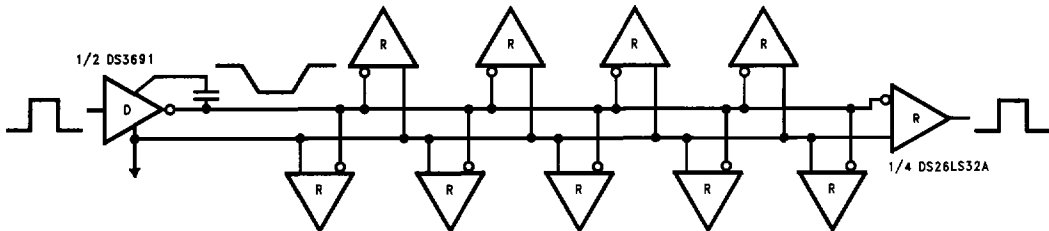
TL/F/5783-13

RS-422 Point to Point Application



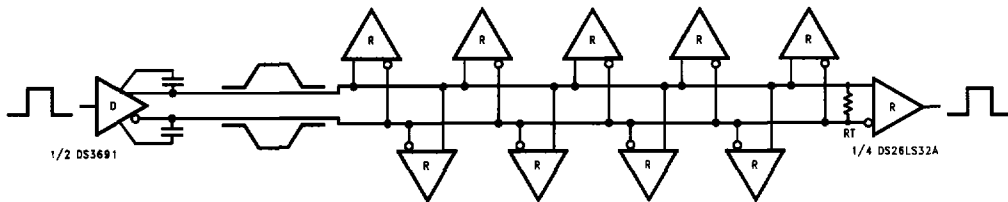
TL/F/5783-14

Fully Loaded RS-423 Interface



TL/F/5783-15

Differential Application with Rise Time Control

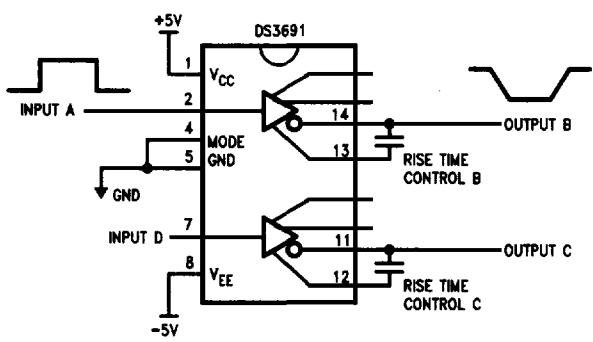


TL/F/5783-16

**\*Note:** Controlled edge allows longer stub lengths. Multiple Drivers are NOT allowed.

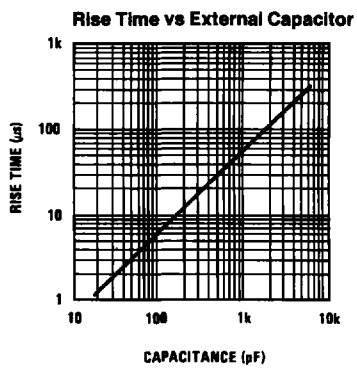
**Typical Application Information** (Continued)

**Dual RS-423 Inverting Driver**



TL/F/5783-17

**Typical Rise Time Control Characteristics** (RS-423 Mode)



TL/F/5783-12