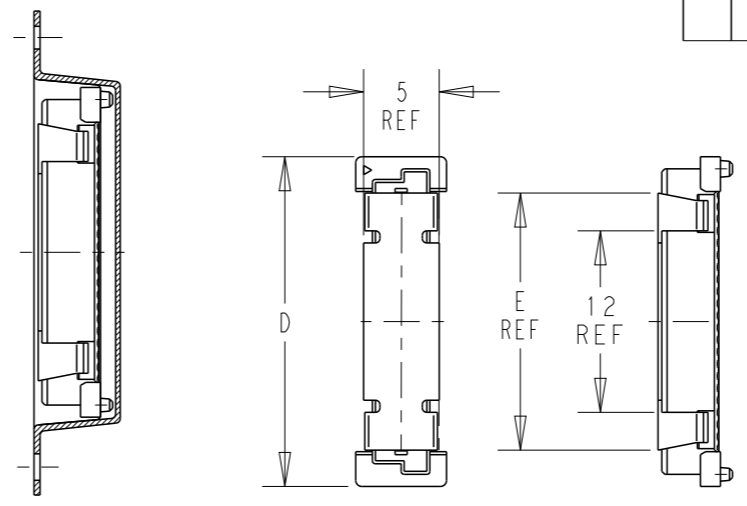
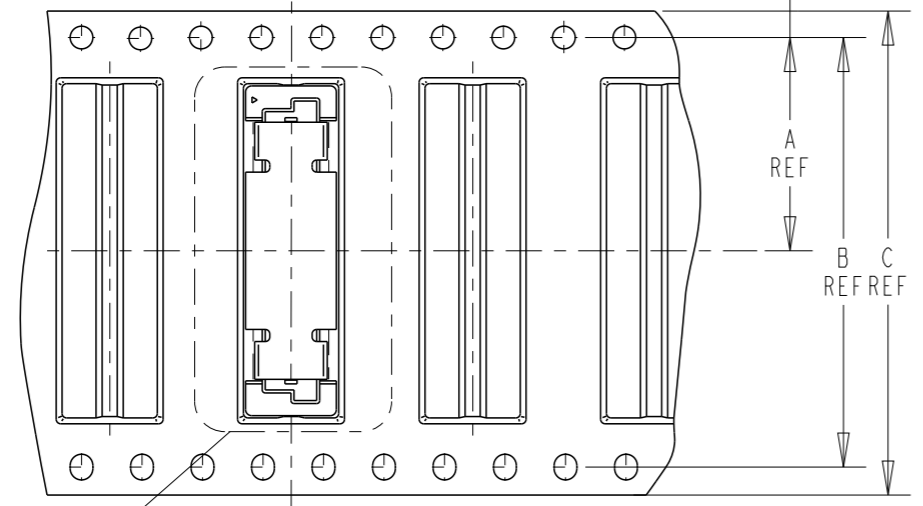


THIS DRAWING IS UNPUBLISHED. RELEASED FOR PUBLICATION 20
 © COPYRIGHT 20 BY - ALL RIGHTS RESERVED.

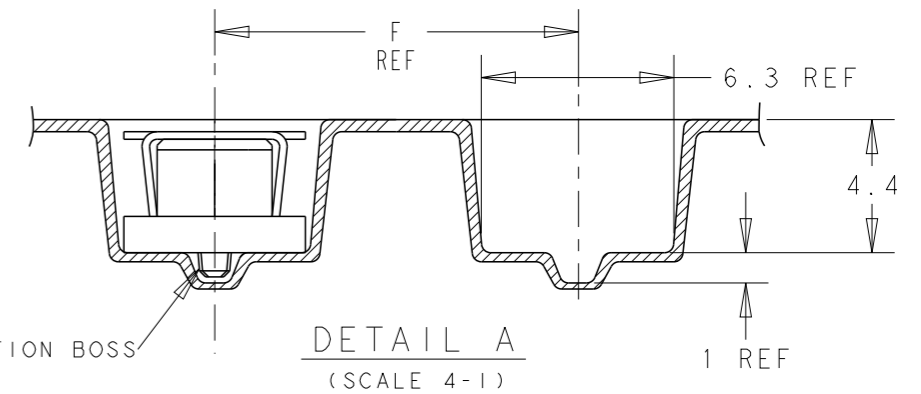
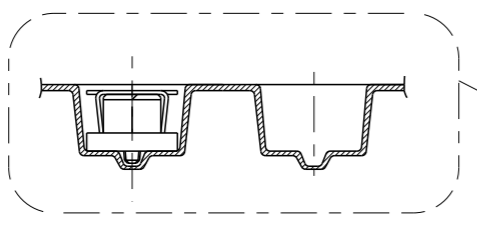
REVISIONS					
P	LTR	DESCRIPTION	DATE	DWN	APVD
	B	REVISED PER ECO-17-005660	12OCT2017	B. J	S. Y
	B1	Add dimension table on page 2	27NOV2019	AL	HL
	B2	ADD NEW P/N 1-5353999-1, REACTIVE -2	25MAR2021	A. L	H. L

DIRECTION OFF TOP OF REEL

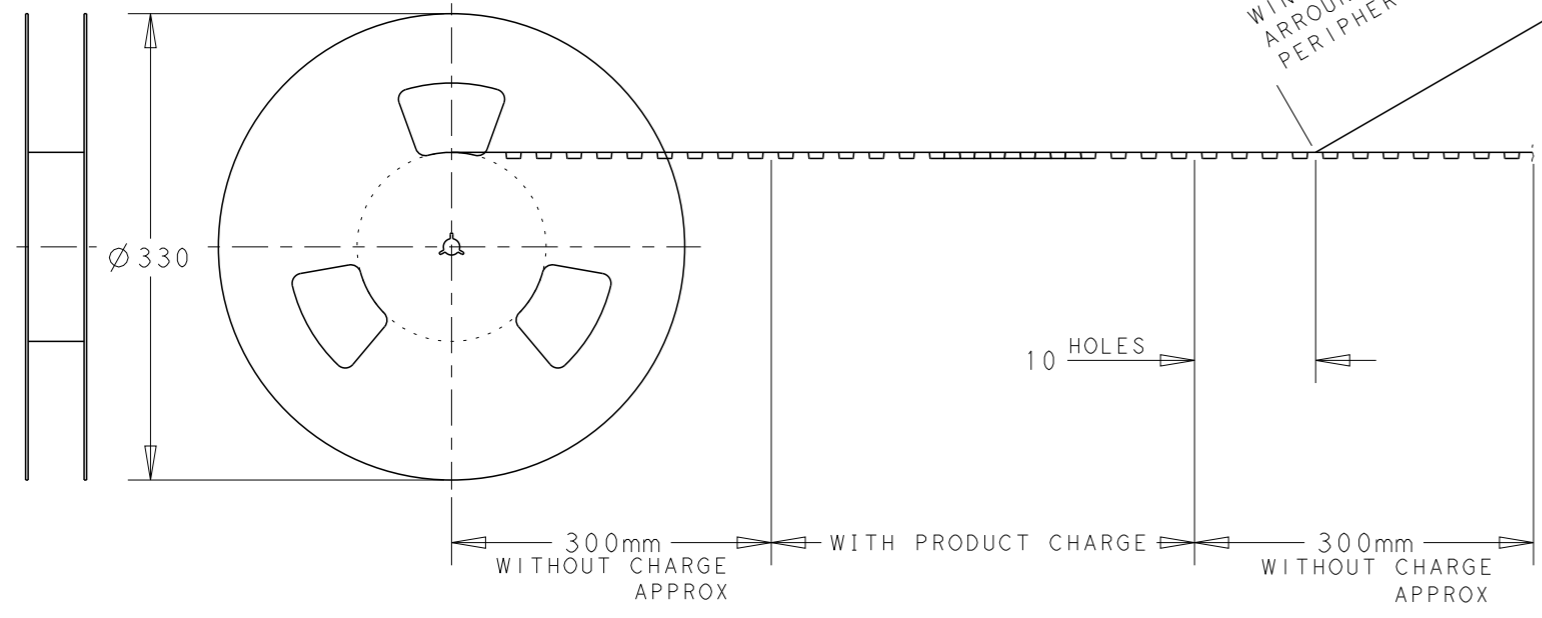


DETAIL B

DETAIL B



WINDING THE COVER TAPE AROUND THE OUTER PERIPHERY IN A TURN.



AVAILABLE	1000	12	17	29.8	44	40.4	20.2	60	2-	-2
		↑	↑	↑	85.8	↑	↑	↑	200	1-
				77.8	104	100.4	50.2	180		-9
				69.8	↑	↑	↑	160		-8
				61.8	88	84.4	42.2	140		-6
				53.8	↑	↑	↑	120		-5
	700	16		45.8	72	68.4	34.2	100		-4
	↑	↑		37.8	56	52.4	26.2	80		-3
				29.8	44	40.4	20.2	60		-2
	1000	12	17	21.8	32	28.4	14.2	40		5353999-1
TOOLING STATUS	QTY	F	E	D	C	B	A	POS	PART NO.	

NOTES:

- 5 OBSOLETE PARTS: OBSOLETE CIS STREAMLINING PER D.RENAUD/D.SINISI
- 6 CONNECTOR WITH BLACK HOUSING

LOW HALOGEN

THIS DRAWING IS A CONTROLLED DOCUMENT.	
DIMENSIONS: mm	TOLERANCES UNLESS OTHERWISE SPECIFIED:
	0 PLC ±-
	1 PLC ±0.3
	2 PLC ±0.25
	3 PLC ±0.2
	4 PLC ±-
	ANGLES ±-
MATERIAL	FINISH

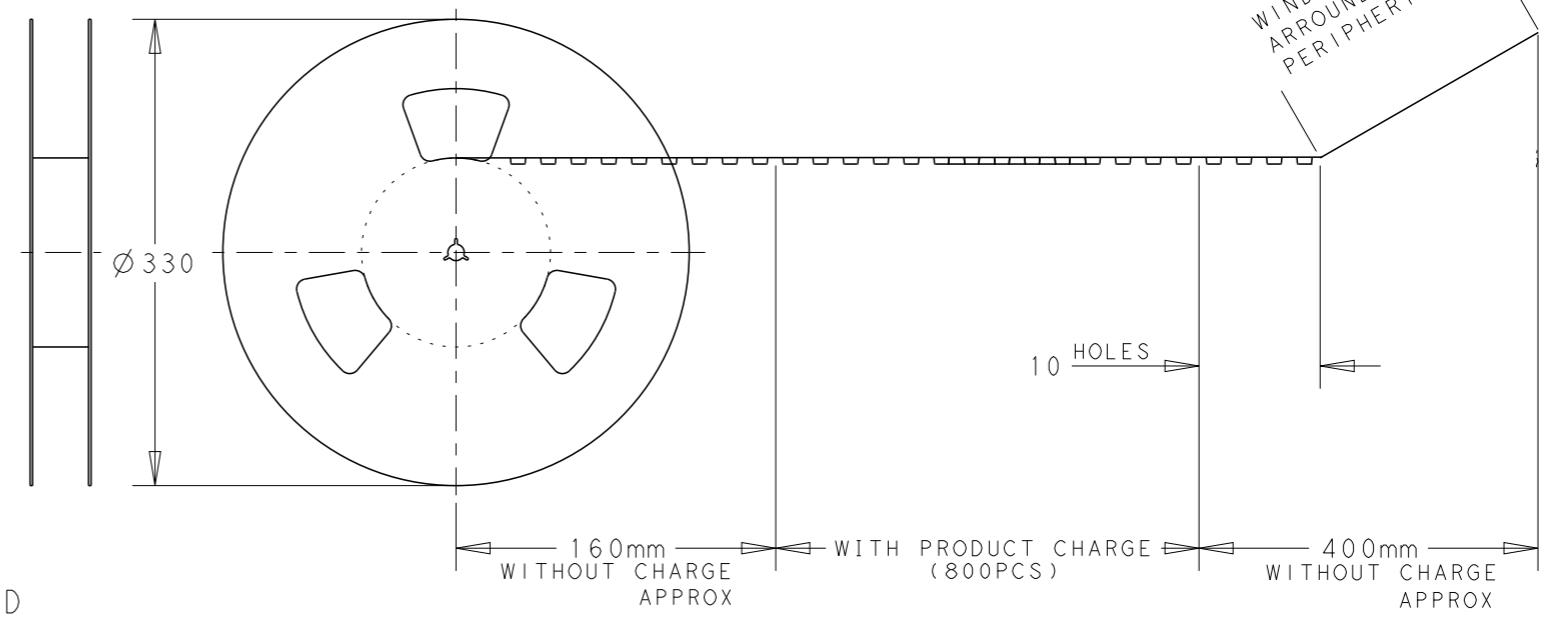
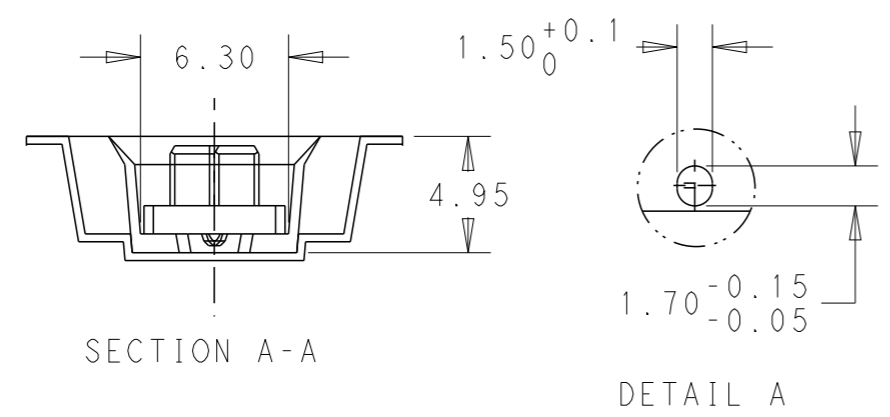
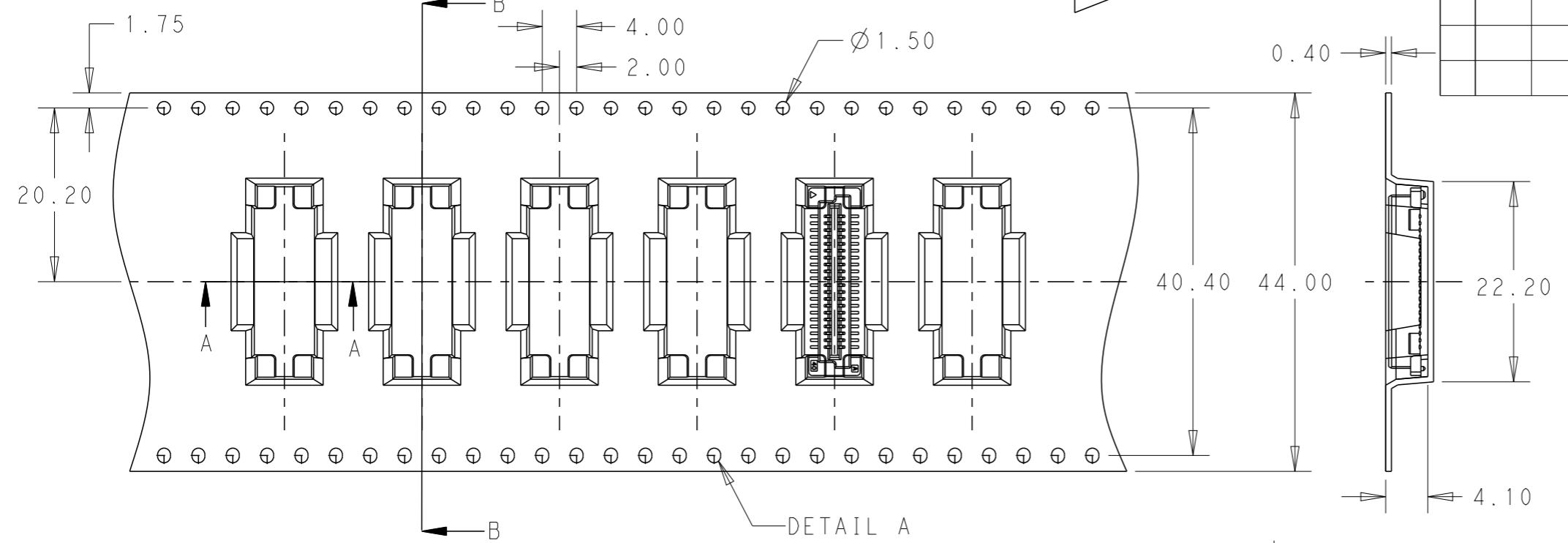
DWN FLORENCE TAN 16SEP04	TE Connectivity NAME REC ASSY, 5H, 0.76 GOLD 0.8FH, BTB CONNECTOR 0.5 BOSS LENGTH
CHK ERIC TNG	
APVD SE LEONG	
PRODUCT SPEC 108-5390	
APPLICATION SPEC	RESTRICTED TO
WEIGHT	SIZE A300779
CUSTOMER DRAWING	CAGE CODE G-5353999
	SCALE 4:1
	SHEET 1 OF 3
	REV B2

THIS DRAWING IS UNPUBLISHED. RELEASED FOR PUBLICATION 20
© COPYRIGHT 20 BY - ALL RIGHTS RESERVED.

REVISIONS

P	LTR	DESCRIPTION	DATE	DWN	APVD
-	-	SEE SHEET 1	-	-	-

8 USER DIRECTION OF UNREELING 




7. UNLESS OTHERWISE SPECIFIED TOLERANCE PER EIA-481-D

8 USER DIRECTION OF UNREELING.

9. REEL CONFIGURATION AND DIMENSIONS PER EIA-481-2-A OR ENGINEERING APPROVED EQUIVALENTS.

1-5353999-1 EMBOSS PACKAGE AS SHOWN (WITHOUT COVER)

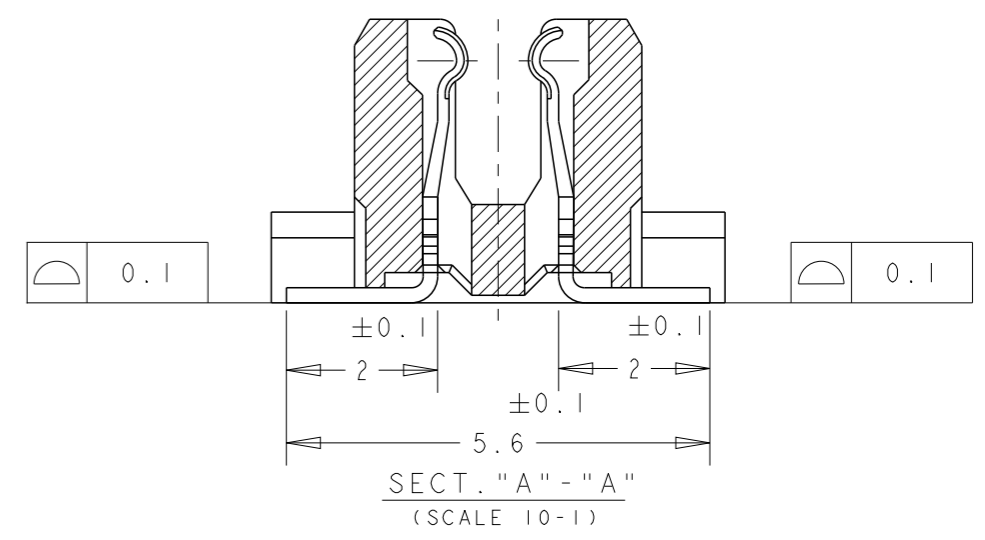
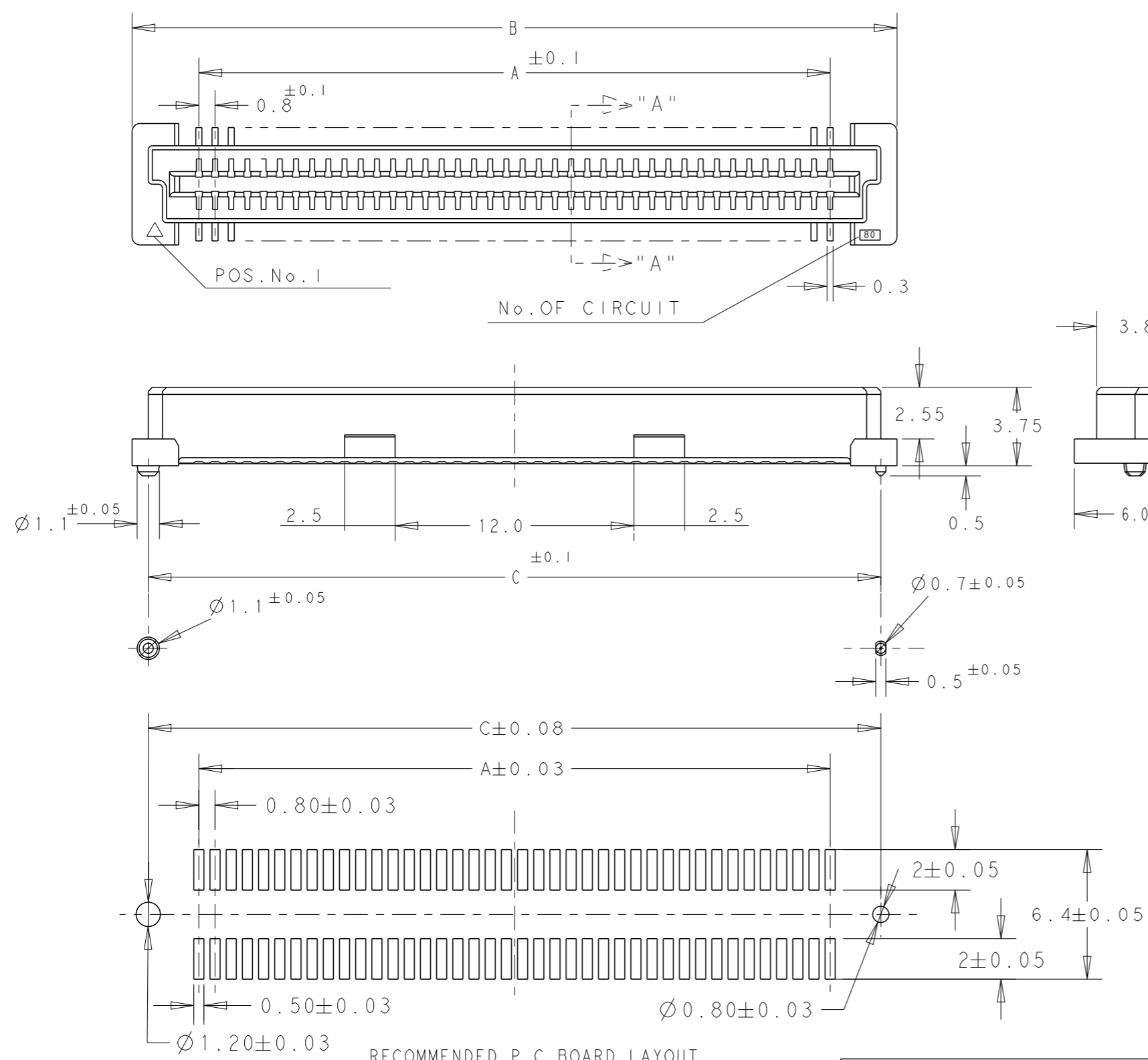
THIS DRAWING IS A CONTROLLED DOCUMENT.		DWN 16SEP04 FLORENCE TAN	 TE Connectivity	
DIMENSIONS: mm		CHK ERIC TNG		
TOLERANCES UNLESS OTHERWISE SPECIFIED:		APVD SE LEONG	NAME REC ASSY, 5H, 0.76 GOLD 0.8FH, BTB CONNECTOR 0.5 BOSS LENGTH	
0 PLC ±-		PRODUCT SPEC 108-5390	SIZE A3	
1 PLC ±0.3		APPLICATION SPEC -	CAGE CODE 300779	DRAWING NO 5353999
2 PLC ±0.25		WEIGHT -	RESTRICTED TO -	
3 PLC ±0.2		CUSTOMER DRAWING		
4 PLC ±-		SCALE 4:1 SHEET 2 OF 3 REV B2		
ANGLES ±-				
FINISH -				

THIS DRAWING IS UNPUBLISHED. RELEASED FOR PUBLICATION 20
 © COPYRIGHT 20 BY - ALL RIGHTS RESERVED.

REVISIONS

P	LTR	DESCRIPTION	DATE	DWN	APVD
-	-	SEE SHEET 1	-	-	-

LOW HALOGEN



84.2	85.8	79.2	200
76.2	77.8	71.2	180
68.2	69.8	63.2	160
60.2	61.8	55.2	140
52.2	53.8	47.2	120
44.2	45.8	39.2	100
36.2	37.8	31.2	80
28.2	29.8	23.2	60
20.2	21.8	15.2	40
C	B	A	POS.

- NOTES:
- 1 MATERIAL: HOUSING: L.C.P. (HIGH TEMP. THERMOPLASTIC)
UL 94V-0, NATURAL.
CONTACT: BERYLIUM COPPER.
 - 2 FINISH: CONTACT AREA: 0.00076 MIN GOLD ON
0.0013 MIN ALL OVER NICKEL.
SOLDERING AREA: 0.002 MIN MATTE-TIN.
 - 3. POSITION SERIES: SEE TABLE.
 - 4. CONN STACK HEIGHT COMBINE OF PLUG "Y" H VS REC "X" H.
STACK HEIGHT = Y + X - 5

THIS DRAWING IS A CONTROLLED DOCUMENT.

DIMENSIONS:	TOLERANCES UNLESS OTHERWISE SPECIFIED:
mm	
	0 PLC ±-
	1 PLC ±0.3
	2 PLC ±0.25
	3 PLC ±0.2
	4 PLC ±-
	ANGLES ±-
MATERIAL	FINISH

16SEP04
 DWN FLORENCE TAN
 CHK ERIC TNG
 APVD SE LEONG
 PRODUCT SPEC 108-5390
 APPLICATION SPEC -
 WEIGHT -

STE TE Connectivity

NAME REC ASSY, 5H, 0.76 GOLD
0.8FH, BTB CONNECTOR
0.5 BOSS LENGTH

SIZE	CAGE CODE	DRAWING NO	RESTRICTED TO
A3	00779	C-5353999	-

CUSTOMER DRAWING SCALE 4:1 SHEET 3 OF 3 REV B2