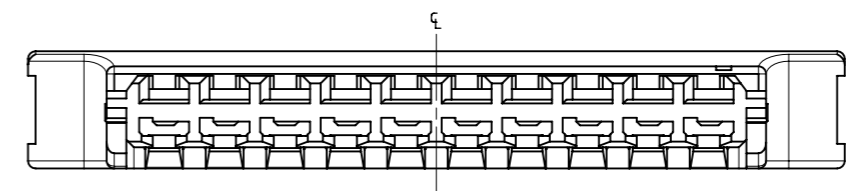
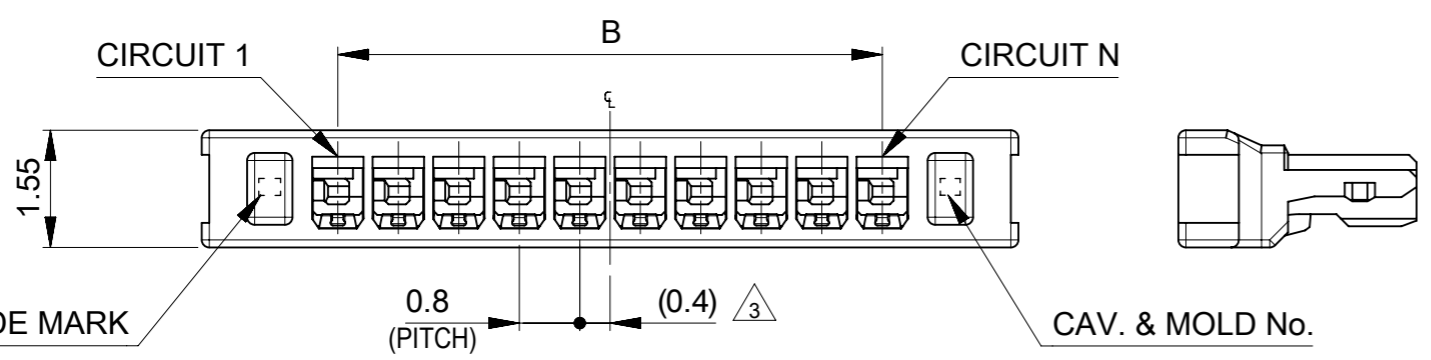


CIRCUIT 1  
INDICATOR MARK



15.2	18.8	20
14.4	18.0	19
13.6	17.2	18
12.8	16.4	17
12.0	15.6	16
11.2	14.8	15
10.4	14.0	14
9.6	13.2	13
8.8	12.4	12
8.0	11.6	11
7.2	10.8	10
6.4	10.0	9
5.6	9.2	8
4.8	8.4	7
4.0	7.6	6
3.2	6.8	5
2.4	6.0	4
1.6	5.2	3
0.8	4.4	2
B	A	極数 CIRCUIT SIZE

**NOTES**

- △1 材料：TABLE 1参照  
MATERIAL：SEE TABLE 1
- △2 製品仕様書、コネクタ取扱説明書、適合嵌合相手、適合ターミナルはSHEET2を御参照下さい  
PLEASE REFER TO SHEET 2 FOR PRODUCT SPECIFICATION, APPLICATION SPECIFICATION, APPLY MATE PARTNER, APPLY TERMINAL
- △3 極数/2 = 偶数に適応  
APPLY FOR CIRCUIT SIZE / 2 = EVEN
- 4. 本製品のプラスチック部に黒点、白点等が確認される場合や色合いが異なる場合がありますが、製品機能に影響はありません。  
THERE IS NO INFLUENCE IN THE PRODUCT PERFORMANCE THOUGH THE BLACK AND WHITE SPOT ETC. MIGHT BE CONFIRMED TO THE PLASTIC PART OF THIS PRODUCT AND THE SHADE MIGHT BE DIFFERENT.
- △5 発注番号：SHEET2参照  
ORDER No.：PLEASE REFER TO SHEET 2 FOR PRODUCT LIST.

214719 2 \* \* 0

シリーズ番号 SERIES NO.      極数 CIRCUIT SIZE

△1 TABLE 1

部品 PART	材質 MATERIAL
ハウジング HOUSING	液晶ポリマー(LCP), UL94 V-0, LOW HALOGEN, 黒 LIQUID CRYSTAL POLYMER(LCP) UL94 V-0, LOW HALOGEN, COLOR : BLACK

DOCUMENT STATUS	P1	RELEASE DATE	2022/01/28	07:34:46
-----------------	----	--------------	------------	----------

THIS DRAWING CONTAINS INFORMATION THAT IS PROPRIETARY TO MOLEX ELECTRONIC TECHNOLOGIES, LLC AND SHOULD NOT BE USED WITHOUT WRITTEN PERMISSION

DIMENSION UNITS	SCALE	CURRENT REV DESC:		
mm	NTS	<p style="text-align: center;"><b>molex</b></p> <p>ZERO-HACHI 0.8WTB CRIMP HSG SINGLE ROW</p> <p style="text-align: center;">PRODUCT CUSTOMER DRAWING</p>		
GENERAL TOLERANCES (UNLESS SPECIFIED)				
ANGULAR TOL	± 3.0 °			
4 PLACES	± 0.2			
3 PLACES	± 0.2			
2 PLACES	± 0.2	EC NO: 693607	DRWN: HKOBAYASHI	2021/07/07
1 PLACE	± 0.2	CHK'D: AIDA	APPR: SAKIYAMA	2022/01/28
0 PLACES	± 0.2	INITIAL REVISION:		
DRAFT WHERE APPLICABLE MUST REMAIN WITHIN DIMENSIONS		DRWN: HKOBAYASHI	2021/07/07	
THIRD ANGLE PROJECTION		APPR: SAKIYAMA	2022/01/28	
DRAWING	SERIES	MATERIAL NUMBER	CUSTOMER	SHEET NUMBER
A3-SIZE	214719	2147190000-SD	GENERAL	1 OF 3

△ 2 適合製品及び各種仕様書

APPLICABLE PRODUCTS AND VARIOUS SPECIFICATIONS

梱包仕様書 PACKAGING SPECIFICATION	PART NUMBER 2147192**0	SPECIFICATION NUMBER 2147199200-SPK 200
----------------------------------	---------------------------	--

適合端子 APPLICABLE TERMINAL	PART NUMBER 2147205000	PLATING TYPE TIN	WIRE SIZE(AWG) #28 - #30
	2147205001		#30 - #32

適合嵌合相手 MATE WITH	SMT
	TIN PLATING
	RIGHT ANGLE
シリーズ番号 SERIES No.	214721
製品仕様書 PRODUCT SPECIFICATION	2147190000-PS 000
コネクタ取扱説明書 APPLICATION SPECIFICATION	2166940000-AS 000

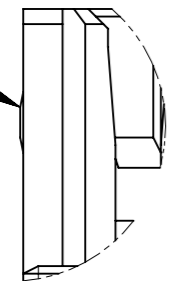
製品嵌合図は嵌合相手図面参照のこと  
MATING VIEW: REFER "MATE WITH" PART DRAWING.

△ 5 製品一覧  
PRODUCT LIST

HOUSING COLOR		
BLACK		
214719 2200		20
214719 2190		19
214719 2180		18
214719 2170		17
214719 2160		16
214719 2150		15
214719 2140		14
214719 2130		13
214719 2120		12
214719 2110		11
214719 2100		10
214719 2090		9
214719 2080		8
214719 2070		7
214719 2060		6
214719 2050		5
214719 2040		4
214719 2030		3
214719 2020		2
オーダー番号 ORDER No.		極数 CIRCUIT No.
梱包形態 : ポリ袋 PACKAGING : POLY BAG		

極数別ロック形状  
LOCK SHAPE

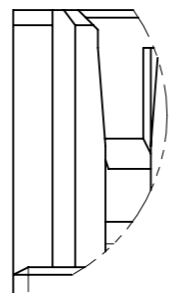
SIDE LOCK FOR  
2-10 CIRCUIT



DETAIL Z  
SCALE 20:1



2-10極形状  
FIGURE OF 2-10 CIRCUIT



DETAIL Y  
SCALE 20:1



11-20極形状  
FIGURE OF 11-20 CIRCUIT

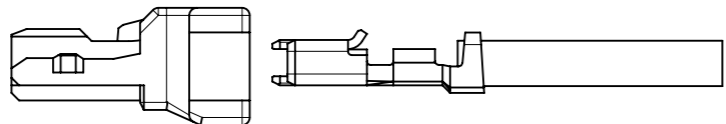
THIS DRAWING CONTAINS INFORMATION THAT IS PROPRIETARY TO MOLEX ELECTRONIC TECHNOLOGIES, LLC AND SHOULD NOT BE USED WITHOUT WRITTEN PERMISSION									
DIMENSION UNITS		SCALE		CURRENT REV DESC:					
mm		NTS							
GENERAL TOLERANCES (UNLESS SPECIFIED)									
ANGULAR TOL ± 3.0 °									
4 PLACES ± 0.2		DRWN: HKOBAYASHI		2021/07/07					
3 PLACES ± 0.2		CHK'D: AIDA		2022/01/28					
2 PLACES ± 0.2		APPR: SAKIYAMA		2022/01/28					
1 PLACE ± 0.2		INITIAL REVISION:							
0 PLACES ± 0.2		DRWN: HKOBAYASHI		2021/07/07					
		APPR: SAKIYAMA		2022/01/28					
DRAFT WHERE APPLICABLE MUST REMAIN WITHIN DIMENSIONS				THIRD ANGLE PROJECTION		DRAWING		SERIES	
				A3-SIZE		214719			
				MATERIAL NUMBER		CUSTOMER		SHEET NUMBER	
				2147190000-SD		GENERAL		2 OF 3	

# 圧着端子挿入時の注意点 CAUTION WHEN INSERTING A CRIMP TERMINAL

製品機能を維持するため、圧着端子を下図斜め上方向に挿入しないで下さい。  
TO MAINTAIN THE PRODUCT FUNCTION, DO NOT INSERT THE CRIMP TERMINAL DIAGONALLY UPWARD

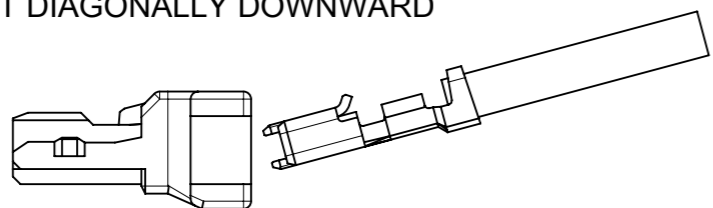
○ Good

水平方向  
INSERT STRAIGHT



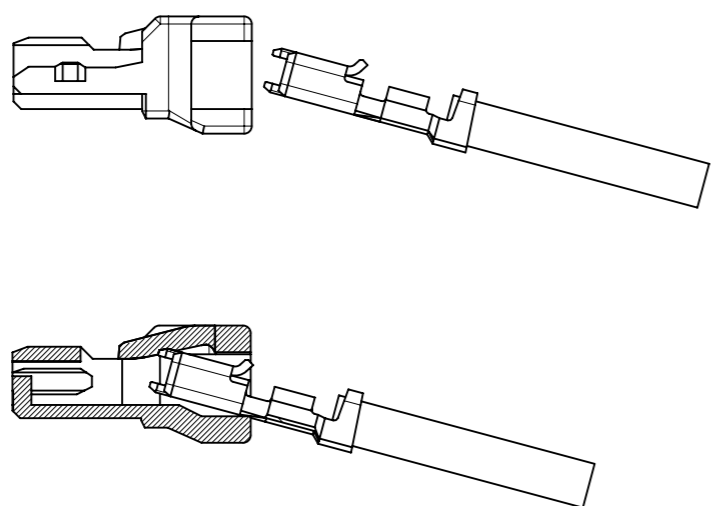
○ Good

斜め下方向  
INSERT DIAGONALLY DOWNWARD

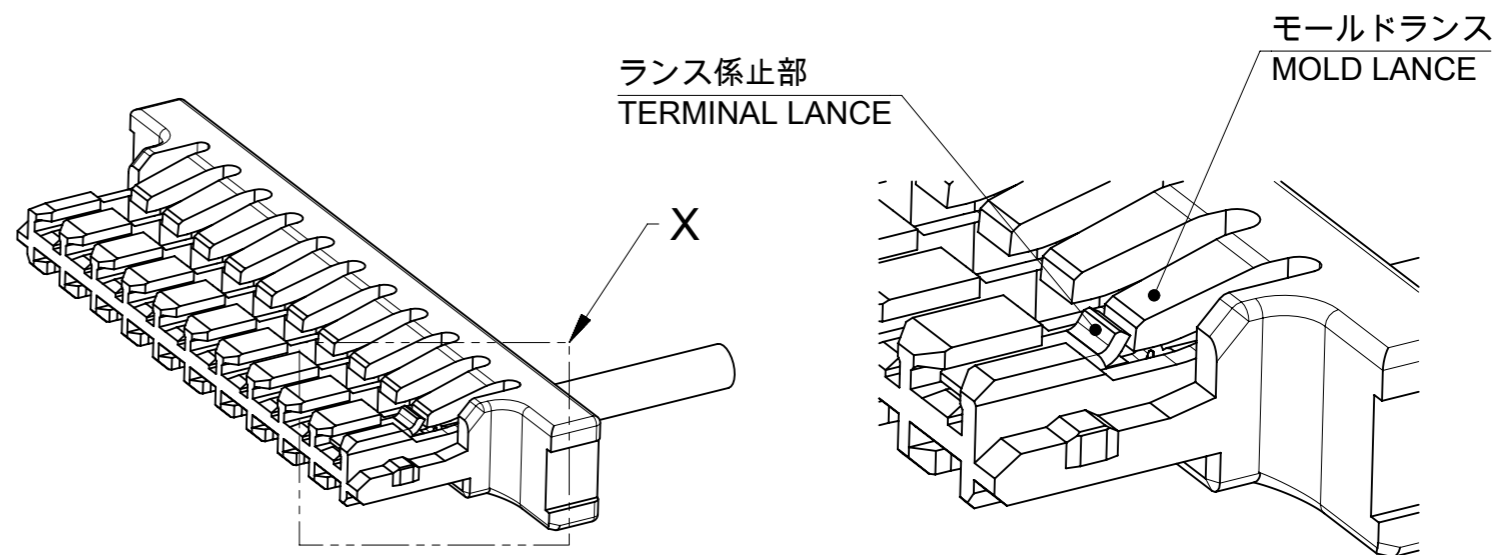
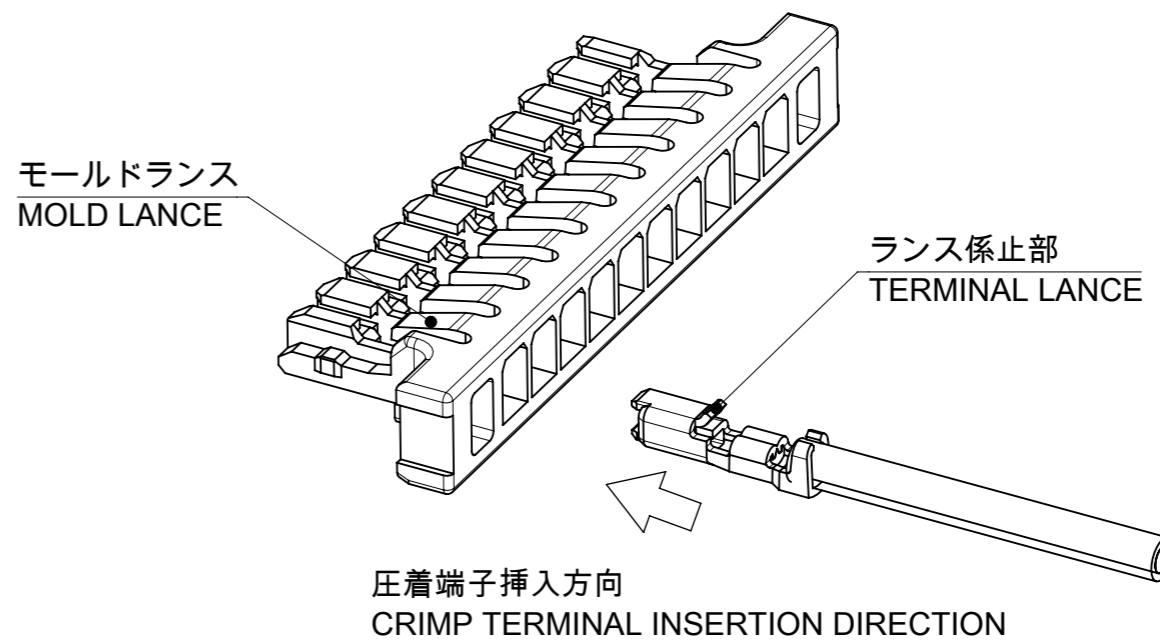


× Not good

斜め上方向  
INSERT DIAGONALLY UPWARD



斜め上方向に圧着端子を挿入すると  
モールドランスが破損する可能性があります。  
IF THE CRIMP TERMINAL IS INSERTED DIAGONALLY UPWARD, THERE MIGHT BE POSSIBILITY OF THE MOLD LANCE DAMAGED.



圧着端子ランス係止部がハウジングのモールドランスに掛かっている事をご確認ください。  
MAKE SURE THAT THE TERMINAL LANCE IS CAUGHT BY THE MOLD LANCE OF HOUSING

DETAIL X  
SCALE 20:1

THIS DRAWING CONTAINS INFORMATION THAT IS PROPRIETARY TO MOLEX ELECTRONIC TECHNOLOGIES, LLC AND SHOULD NOT BE USED WITHOUT WRITTEN PERMISSION											
DIMENSION UNITS		SCALE		CURRENT REV DESC:				<b>molex</b>		ZERO-HACHI 0.8WTB CRIMP HSG SINGLE ROW	
mm		NTS									
GENERAL TOLERANCES (UNLESS SPECIFIED)											
ANGULAR TOL ± 3.0°											
4 PLACES		± 0.2		EC NO: 693607		2021/07/07		PRODUCT CUSTOMER DRAWING			
3 PLACES		± 0.2		DRWN: HKOBAYASHI		2022/01/28					
2 PLACES		± 0.2		CHK'D: AIDA		2022/01/28		DOCUMENT NUMBER			
1 PLACE		± 0.2		APPR: SAKIYAMA		2022/01/28				2147190000-SD	
0 PLACES		± 0.2		INITIAL REVISION:				DOC TYPE			
				DRWN: HKOBAYASHI		2021/07/07				PSD	
				APPR: SAKIYAMA		2022/01/28		000			
DRAFT WHERE APPLICABLE MUST REMAIN WITHIN DIMENSIONS		THIRD ANGLE PROJECTION		DRAWING		SERIES				REVISION	
		A3-SIZE		214719		GENERAL		A			
										SHEET NUMBER	
								3 OF 3			