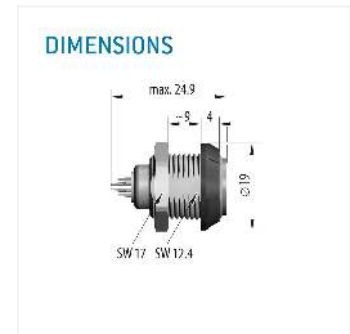
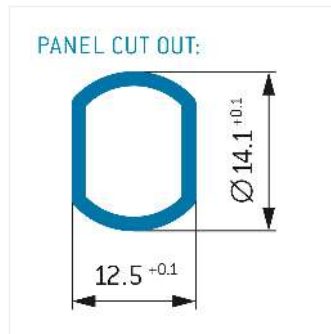


General information

Part number	G51MA7-P06LFD0-0070
Termination	solder
Size	1
Locking principle	break, push
Coding	a key medi



Contact insert description

Number of contacts	6
Contact type	sockets
Contact diameter	07mm
Insulator material	peek
Wire cross section	26_awg
Termination	solder
Termination diameter	065mm

reverse_gender_on_request

Technical information

Max. creepage and air clearance distance	085 mm	
Nominal current single contact	06 a	iec 60512_5_2
Nominal current insert	4,5 A	vde_0298_4
Test voltage	16 kv_dc	sae_13441

safety_text

Mechanical and environmental data

Degree of protection*	ip50
Operating temperature	50_120_c
Mating cycles	5000

mated_unmated

Insulator materials MEDI-SNAP®

psu_peek

Material and surface treatments

Housing	psu_gray
Color option	gray
Contact	cu_alloy_gold

safety_text_2
ul_text
illustrative_text