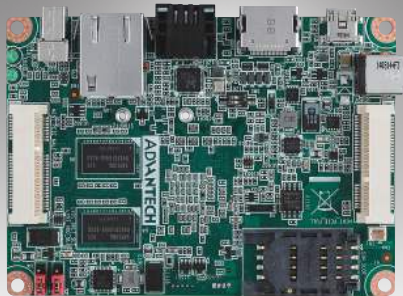


RSB-3410

NXP ARM® Cortex®-A9 i.MX6 2.5" SBC

NEW



Features

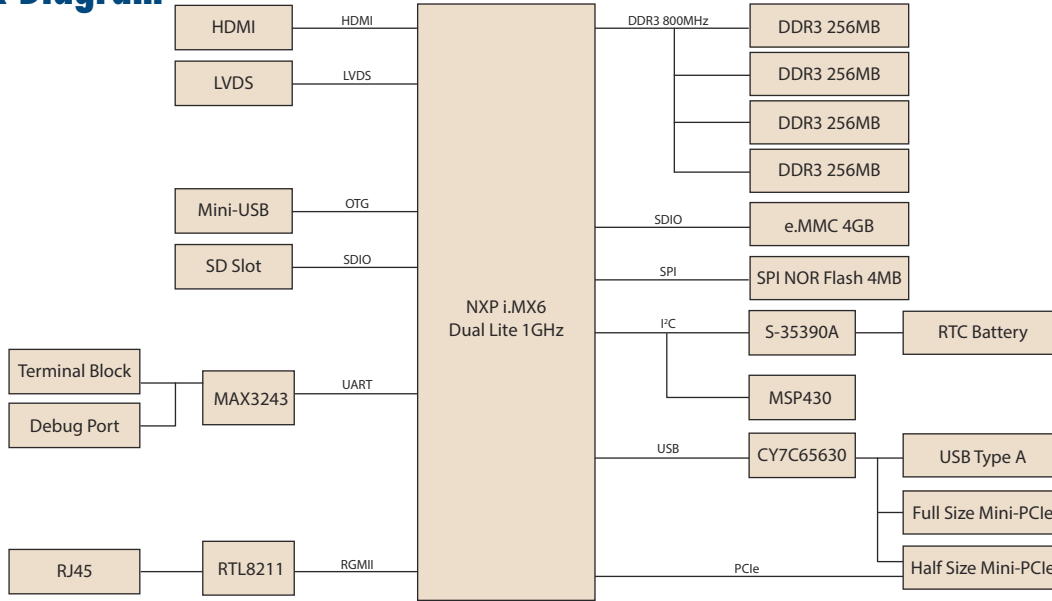
- NXP ARM® Cortex®-A9 i.MX6 Dual Lite 1 GHz
- Onboard DDR3 1 GB, 800 MHz memory
- HDMI 1920x1080 at 60Hz, Single Channel 18/24 bit LVDS
- 1 4-wire UART, 1 USB 2.0, 1 USB OTG
- 2 mini-PCle for WIFI/3G support
- Low power consumption, fanless design
- Supports Linux and Android



Specifications

| | | |
|------------------|-----------------------|--|
| Form Factor | | 2.5" SBC |
| Processor System | CPU | NXP i.MX6 Cortex-A9 Dual Lite 1 GHz |
| | Technology | DDR3 800 MHz |
| Memory | Capacity | On-board DDR3 1 GB |
| | Flash | 4 GB eMMC Flash for O.S. and 4 MB NOR Flash for Advantech boot loader |
| Graphics | HDMI | 1 HDMI, 1920 x 1080 at 60Hz |
| | LVDS | Single Channel 18/24 bit LVDS |
| | Graphics Engine | 1 IPU, OpenGL ES 2.0 for 3D, BitBit for 2D and OpenVG 1.1 |
| | H/W Video Codec | Decoder: MPEG-4 ASP, H.264 HP, H.263, MPEG-2 MP, MJPEG BP Encoder: MPEG-4 SP, H.264 BP, H.263, MJPEG BP |
| Ethernet | Chipset | NXP i.MX6 integrated RGMII |
| | Speed | 1 10/100/1000 Mbps |
| WatchDog Timer | WatchDog Timer | 1~6553s, power on/off 4s |
| I/O | USB | 1 USB 2.0 Host |
| | USB OTG | 1 USB 2.0 OTG |
| | SDIO | 1 SD Slot |
| | Serial Port | 1 4-wire RS-232 (Tx, Rx, RTS, CTS) |
| Indicator | LED | 1 Green LED for the system power 1 Green LED (for user define) |
| Expansion | Full Size Mini PCIe | 1 |
| | Half Size Mini PCIe | 1 |
| | SD Socket | 1 |
| | SIM Slot | 1 |
| Power | Power Supply Voltage | +12 V |
| | Power Type | DC-in |
| | Power Consumption | 4.4W (Max) |
| Environment | Operating Temperature | 0 ~ 60 °C |
| | Operating Humidity | 5%~95% Relative Humidity, non-condensing |
| Mechanical | Dimensions | 100 x 72 x 19 mm |
| | Weight | 210g |
| Operation System | | Linux & Android |
| Certifications | | CE/FCC Class B |

Block Diagram



Ordering Information

| Part No. | CPU | Memory | Flash Memory | HDMI | VGA | LVDS | LAN | Serial Port | SATA | USB Host | System bus | SD | CANbus | Operating Temperature |
|------------------|---------------------------|--------|--------------|------|-----|------|-----|-------------------|------|-------------------|------------|----|--------|-----------------------|
| RSB-3410DL-MDA1E | NXP i.MX6 Dual Lite 1 GHz | 1 GB | 4 GB | 1 | - | 1 | 1 | 1 x 4 wire RS-232 | - | 1 USB2.0 1 OTG | - | 1 | - | 0 ~ 60 °C |

Packing List

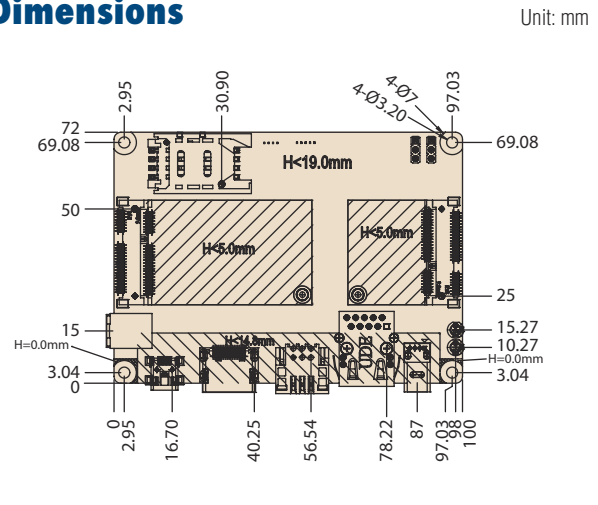
| Part Number | Description |
|---------------|----------------------|
| 9696341000E | RSB-3410 2.5" SBC |
| 1652006794-01 | Terminal Block 6 Pin |

Optional Accessories

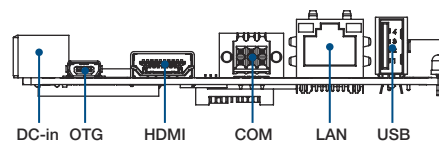
| Part Number | Description |
|------------------|---|
| 96PSA-A36W12R1-3 | ADAPTER 100-240V 36W 12V 3A |
| SQF-ISDM1-8G-21C | SQF SDHC C10 UHS-I MLC 8G, 1CH (-25~85°C) |
| EWM-W135F01E | 802.11 a/b/g/n, Atheros AR9382, 2T2R |
| EWM-C117FL06E* | LTE 4G,3G WCDMA/DC-HSPA+, 2G module, MPCI-L280H |
| 1750006043 | Cable R/P SMA (M) to MHF 1.32 150mm (Wi-Fi Cable) |
| 1750008717-01 | Dipole Ant. D.B 2.4/5G WIFI 3dBi SMA/M-R BLK |
| 1750006264 | Antenna SMA(F)/MHF 15cm SMALFN8-3150A-00X00R |
| 1750008303-01 | Antenna AN0727-64SP6BSM |
| 1700001524 | Power Cord 3P UL 10A 125V 180cm |
| 170203183C | Power Cord 3P Europe (WS-010+WS-083)183cm |
| 170203180A | Power Cord 3P UK 2.5A/3A 250V 1.83M |
| 1700008921 | Power Cord 3P PSE 183cm |
| 1700021565-01 | Debug cable |
| 1700018730 | USB cable |
| 1700022161-01 | UART cable |
| 1700019146 | Power Cord CCC 3P 10A 250V 183cm |

* Please contact us to get suitable cellular module for your region.

Dimensions



External I/O



Embedded Linux Support and Design-in Services

Hardware Certified Ubuntu and Yocto with Eco Partner Services

Linux is the most popular embedded OS for transportation, outdoor services, factory automation, and mission critical applications. Its open source and kernel reliability features ease security updates, and make it particularly adaptable to new AI and Edge computing technology. Advantech has cooperated with Canonical and other software partners to provide hardware certified Ubuntu image and Yocto BSP as Linux offerings. The Advantech, Embedded Linux, and Android Alliance (ELAA) delivers local software services and consultation.



Features

| | | | |
|---|---|---|--|
| Certified OS and BSP <ul style="list-style-type: none"> Platform compatibility tests Preloaded functional driver and software stacks | Licensed Services <ul style="list-style-type: none"> License authorized Canonical delivers 10-years of bug fixes and security updates In-house bundled service | Numerous AI and Edge Resources <ul style="list-style-type: none"> Containerized technology for service provision and deployment AI resources from Caffe, TensorFlow, and mxnet | Local Partner Alliance <ul style="list-style-type: none"> Embedded Linux and Android Alliance (ELAA) |
|---|---|---|--|

WISE-DeviceOn

Massive IoT Device Management Utility

IoT deployment and management typically involves numerous disparate devices installed on multiple sites. These devices require effective monitoring, managing, and tracking. Advantech's easy-to-use WISE-DeviceOn interface enables users to remotely monitor device health, troubleshoot problems, and send software/firmware updates over-the-air (OTA). In sum, DeviceOn empowers quick real-time responsiveness to emerging problems.



Features

| Comprehensive Management | Remote Access | Efficient Operations |
|--|--|--|
| <ul style="list-style-type: none">• Devices status• Peripherals/firmware• Open for extension | <ul style="list-style-type: none">• Real-time monitoring• Remote controls• Troubleshooting | <ul style="list-style-type: none">• Zero-touch on-boarding• OTA updates• Batch control |

Product Highlights



SOM-6883

High-performance 11th Gen Intel[®]
COMe Type 6 Module



MIO-5375

Compact 11th Gen Intel[®] Outdoor
Focused 3.5" SBC



EPC-B5587

10th Gen Intel[®] Xeon[®] based Edge
server



EPC-R3220

Arm based IoT Edge Gateway