

<p>Hand Crimp Tool Flag InsulKrimp™ Quick Disconnect</p>		
	<p>Application Tooling Specification Sheet</p>	

FEATURES

- A full cycle ratcheting hand tool ensures complete crimps
- Long handles for comfortable crimping with reduced crimping force
- A precision user-friendly terminal locator holds terminals in proper crimping position

SCOPE

Products Flag InsulKrimp™ Quick Disconnect fully Insulated (Standard Flare) Terminals 14-22 AWG.

Testing

Mechanical

The tensile test, or pull test, is a means of evaluating the mechanical properties of the crimped connections. The following charts show the specifications for various wire sizes. The tensile strength is shown in pounds. It indicates the minimum acceptable force to break or separate the terminal from the conductor.

Wire Size (AWG)	*UL 310
22	8
20	13
18	20
16	30
14	50

*UL – 310 – Quick Disconnects, Flags and Couplers

The following is a partial list of the product part numbers and their specifications that this tool is designed to run. We will be adding to this list and an up to date copy is available on www.molex.com.

Wire Size: 14 – 16 AWG 2.00 – 1.30 mm ²					
Terminal No.	Terminal Eng No (REF)	Wire Strip Length		Insulation Diameter Maximum	
		In.	mm	In.	mm
19007-0021	BB-2221	.313	7.94	.200	5.08
19007-0025	BB-2221X	.313	7.94	.265	6.73
19007-0029	BB-2224	.313	7.94	.200	5.08
19007-0031	BB-2224X	.313	7.94	.265	6.73
19007-0035	BB-2225	.313	7.94	.200	5.08
19007-0037	BB-2225X	.313	7.94	.265	6.73
19007-0073	BB-2221V	.313	7.94	.200	5.08
19007-0076	BB-2224V	.313	7.94	.200	5.08
19007-0079	BB-2225V	.313	7.94	.200	5.08

Wire Size: 18 – 22 AWG 0.80 – 0.35 mm ²					
Terminal No.	Terminal Eng No. (REF)	Wire Strip Length		Insulation Diameter Maximum	
		In.	mm	In.	mm
19007-0001	AA-2220	.344	8.73	.176	4.47
19007-0005	AA-2220X	.344	8.73	.240	6.10
19007-0009	AA-2222	.344	8.73	.176	4.47
19007-0011	AA-2222X	.344	8.73	.240	6.10
19007-0015	AA-2223	.344	8.73	.176	4.47
19007-0017	AA-2223X	.344	8.73	.240	6.10
19007-0064	AA-2220V	.344	8.73	.176	4.47
19007-0067	AA-2222V	.344 <td 8.73	.176	4.47	
19007-0070	AA-2223V	.344	8.73	.176	4.47

OPERATION

Open the tool by first closing the jaws sufficiently for the ratchet mechanism to release.

Crimping Terminals

1. Place the flag terminal barrel into the conductor anvil of the lower jaw. Make sure the closed end of the barrel is touching the locator. See Figure 1.
2. Partially close the tool to hold the terminal in place. See Figure 2.
3. Insert the properly stripped wire into the terminal barrel. See Figure 2 and 3.
4. Now close the handle completely and release. The jaws will open when the tool has fully closed.
5. Remove the crimped terminal. Inspect for proper crimp.

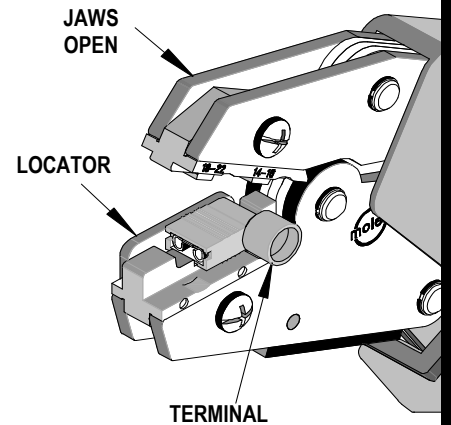


Figure 1

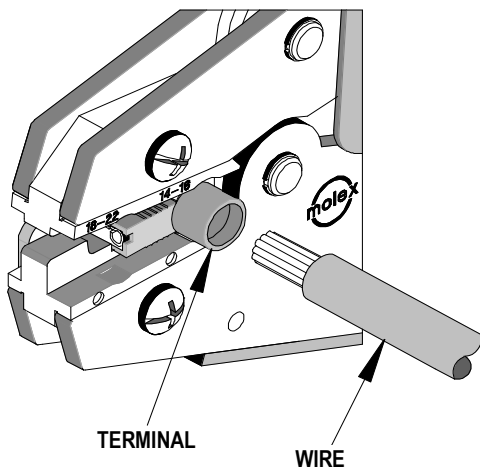


Figure 2

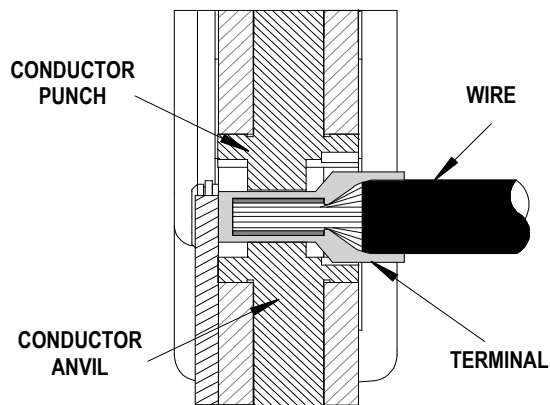


Figure 3

Note: The tamper proof ratchet action will not release the tool until it has been fully closed.

Maintenance

It is recommended that each operator of the tool be made aware of, and responsible for, the following maintenance steps:

1. Remove dust, moisture and other contaminants with a clean brush, or soft, lint-free cloth.
2. Do not use any abrasive materials that could damage the tool.
3. Make certain all pins; pivot points and bearing surfaces are protected with a thin coat of high quality machine oil. Do not oil excessively. This hand tool was engineered for durability, but like any fine piece of equipment, it needs cleaning and lubrication for a maximum service life of trouble-free crimping. Light oil, (such as 30 weight automotive oil) used at the oil points every 5,000 crimps or 3 months will significantly enhance the tool life and ensure a stable calibration. See Figure 4.
4. When tool is not in use, keep the handles closed to prevent objects from becoming lodged in the crimping dies, and store the tool in a clean, dry area.

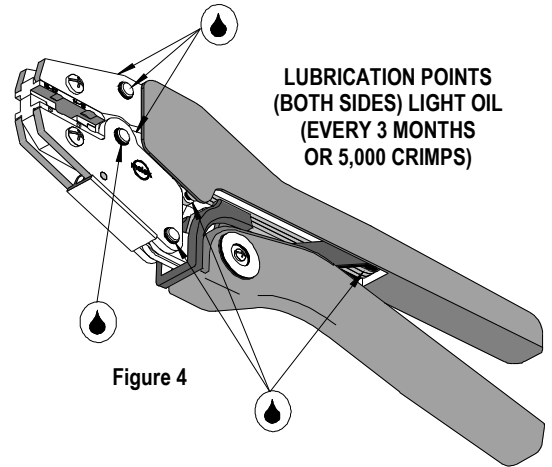


Figure 4

Miscrimps or Jams

Should this tool ever become stuck or jammed in a partially closed position, **Do Not force the handles open or closed.** The tool will open easily by lifting the ratchet release lever. See Figure 5.

How to Adjust Tool Preload (See Figure 5)

Over the life of the tool, it may be necessary to adjust tool handle preload force. Listed below are the steps required to adjust the crimping force of the hand tool to obtain proper crimp conditions:

1. Remove the screw and plastic cover washer. Note the setting wheel position.
2. Lift the setting wheel off the axle. Turn the eccentric axle with a screwdriver.
3. Turning the eccentric axle counter-clockwise (CCW) will increase handle force.
4. Replace the setting wheel to the axle, aligning the nearest notch in the setting wheel to the dowel pin.
5. Replace the plastic cover washer and screw.
6. Check the crimp specifications after tool handle preload force is adjusted.

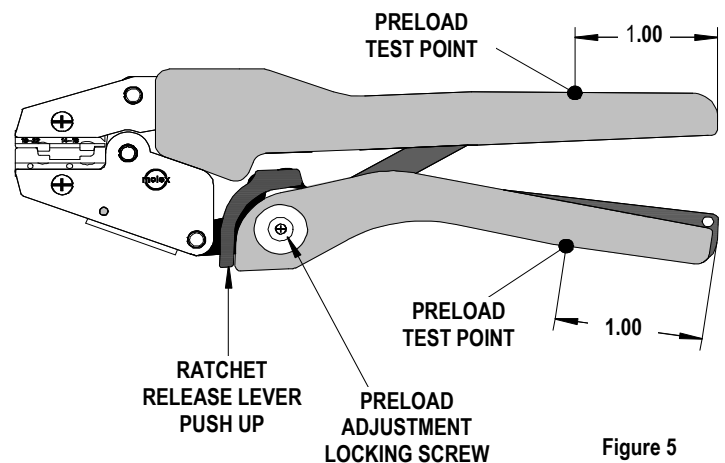
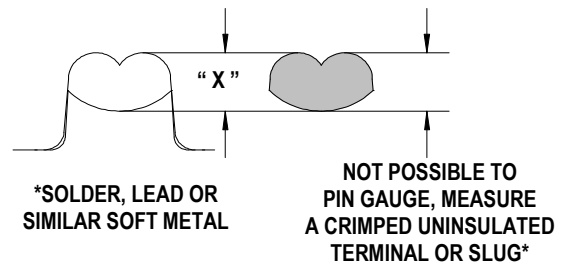


Figure 5

Tool Calibration

A Certificate of Calibration (see last page) was supplied with the tool. To recalibrate this tool, measurements should be taken from each conductor nest and compared to this chart. The tool should be lubricated before recalibration to ensure consistent measurements. Handle preload is factory set to 25-45 LBS. See How to Adjust Tool Preload (See Figure 5) to recalibrate.



Nest Color Code	Wire Range		"X" Dimension Conductor Crimp			Crimp Inspection Marking
	AWG	mm ²	Mean	Go	No Go	
Blue	14 - 16	2.00 – 1.30	.078	.076	.088	---
Red	18 - 22	0.80 – 0.35	.068	.066	.070	---

CAUTION: Repetitive use of this tool should be avoided.

Warranty

This tool is for electrical terminal crimping purposes only. This tool is made of the best quality materials. All vital components are long-life tested. All tools are warranted free of manufacturing defects for a period of 30 days. Should such a defect occur, we will repair or exchange the tool free of charge. This repair or exchange will not be applicable to altered, misused, or damaged tools. This tool is designed for hand use only. Any clamping, fixturing, or use of handle extensions voids this warranty.

Hand held crimping tools are intended for low volume, prototyping, or repair requirements only.

CAUTION: Molex crimp specifications are valid only when used with Molex terminals, applicators and tooling.

PARTS LIST

Item	Order No	Description	Quantity
	64001-4100	Hand Crimp Tool	Figure 6
1	64000-0076	Repair Kit (Springs, Pins and E-Rings)	1
2	63810-0000	Handle	1
3	64001-4170	Tooling Kit	1
4	64001-4175	Locator Assembly	1
Tooling Kit Only			
5	64001-4102	Conductor Punch	1
6	64001-4101	Conductor Anvil	1

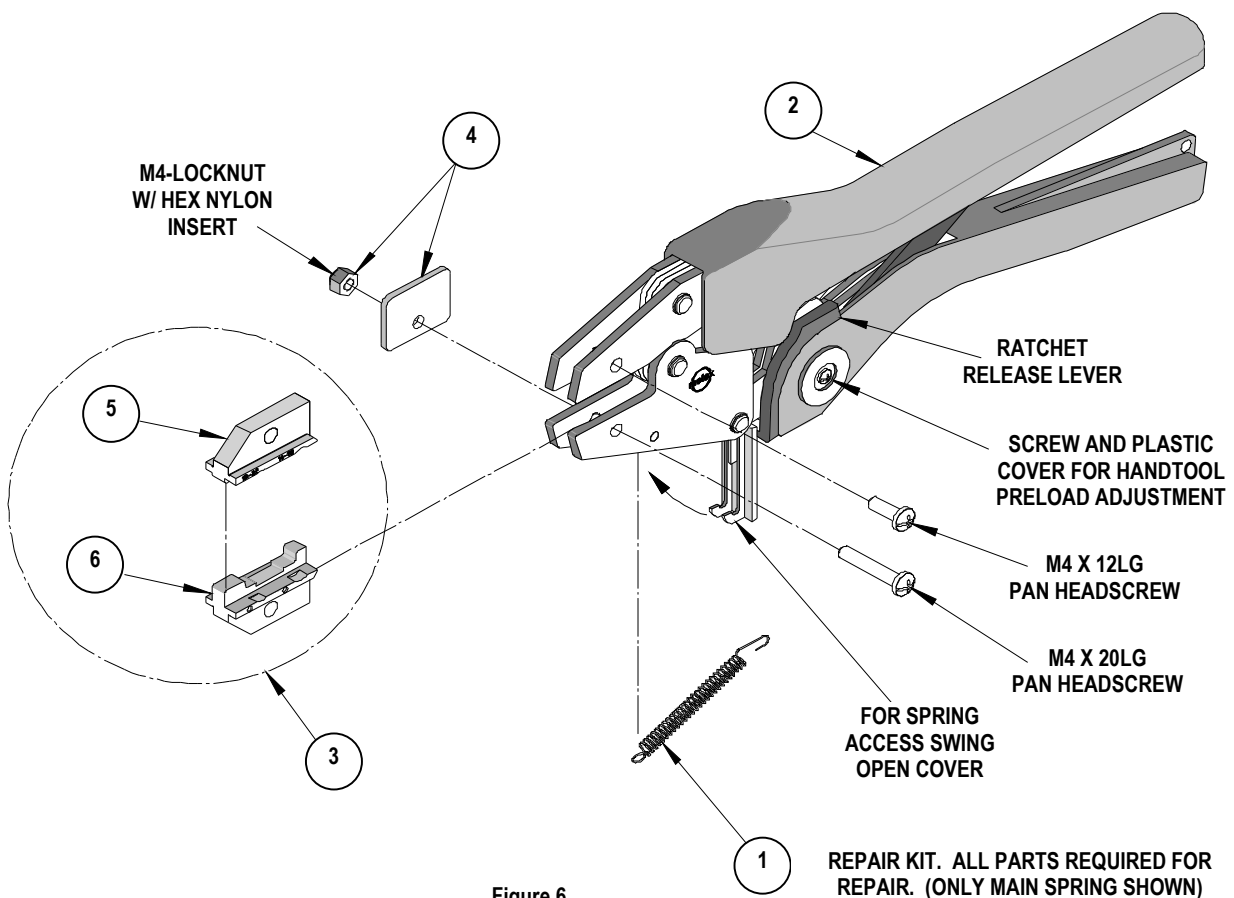
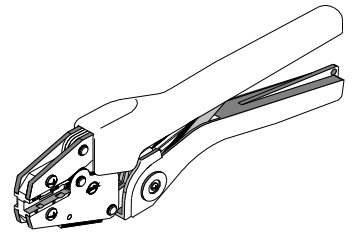


Figure 6



**Hand Crimp Tool
Flag InsulKrimp™
Quick Disconnect**

**Application Tooling
Specification Sheet**

**Order No. 64001-4100
Engineering No. RHT FIG
(Replaces 19285-0063)**

Certificate of Calibration

Tool Order Number _____

Tool Eng. Number _____

Tool Revision _____

Serial Number _____

Date of Manufacture _____

Handle Load Range at 1 inch from the Tips = _____

Actual = _____

Pin Gauge of Conductor Nest/Nests or Slug height if the nest is the "F" Crimp style.

Range Conductor Nest # 1 = _____ -- Actual = _____

Range Conductor Nest # 2 = _____ -- Actual = _____

Technician _____

Date of Calibration _____

Calibration should be done every 5,000 cycles or 3 months.
Tools should be lubricated during this operation.

Visit our Web site at <http://www.molex.com>