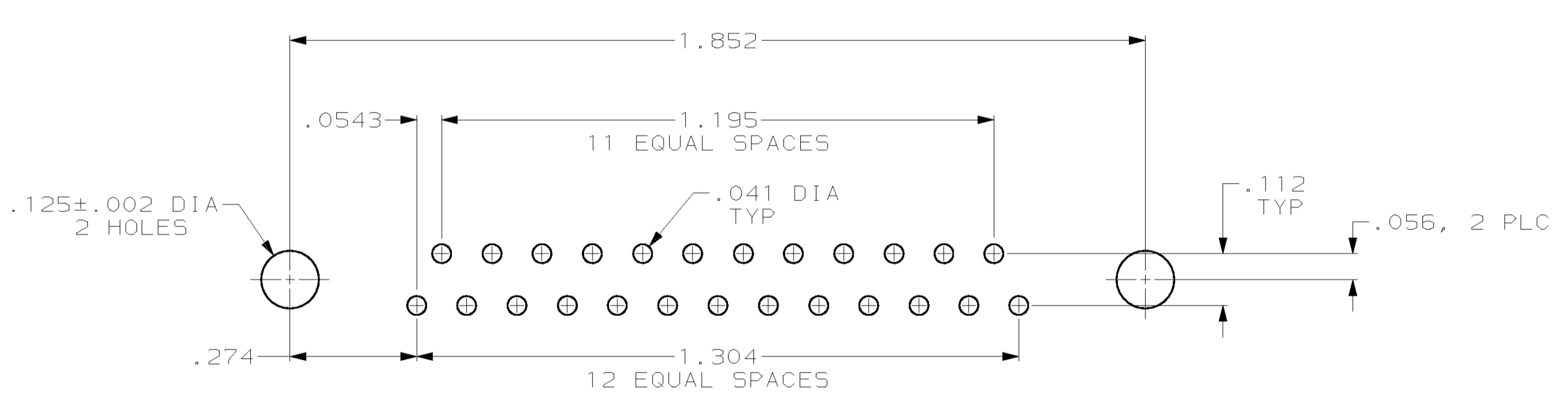
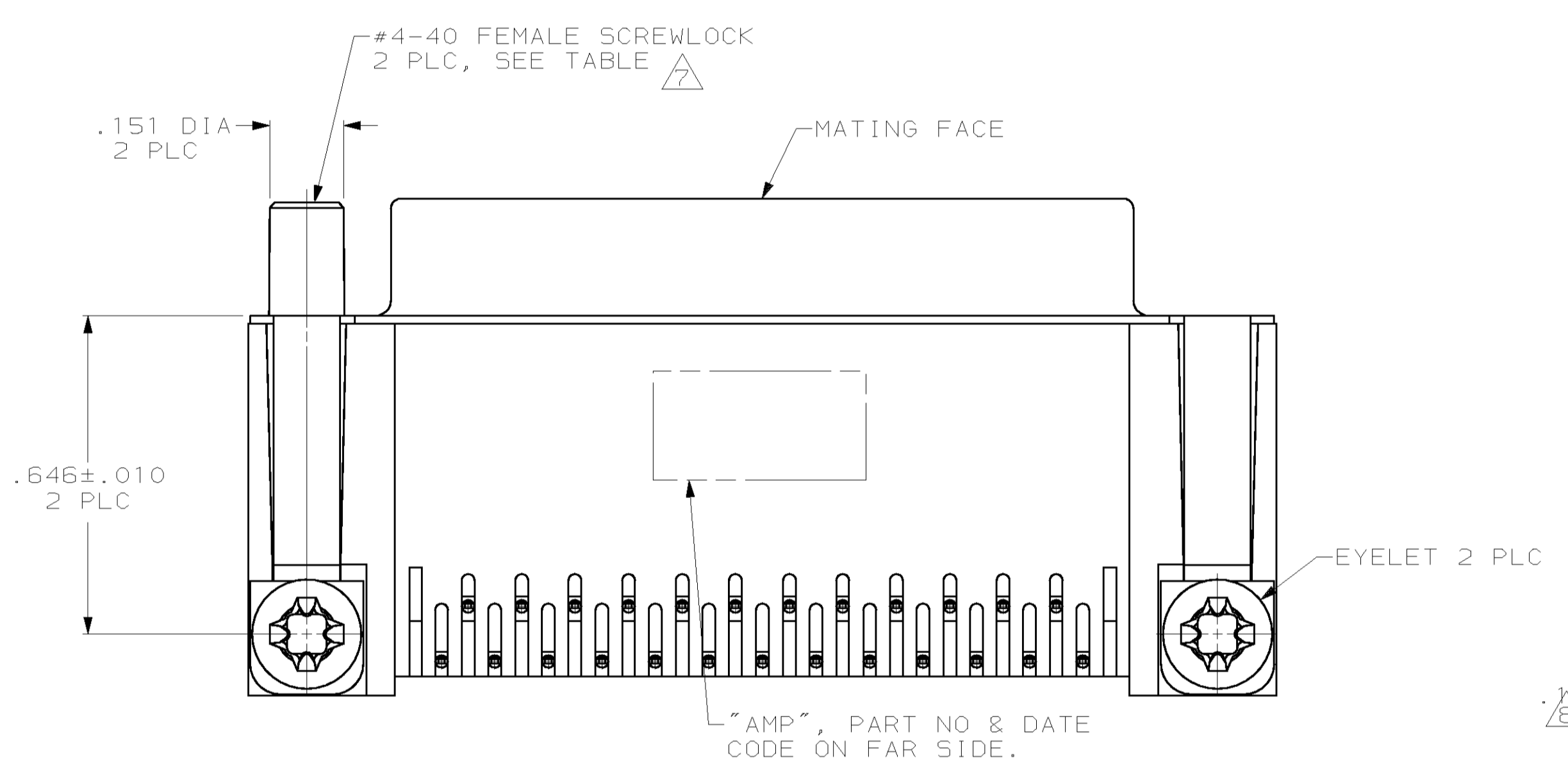
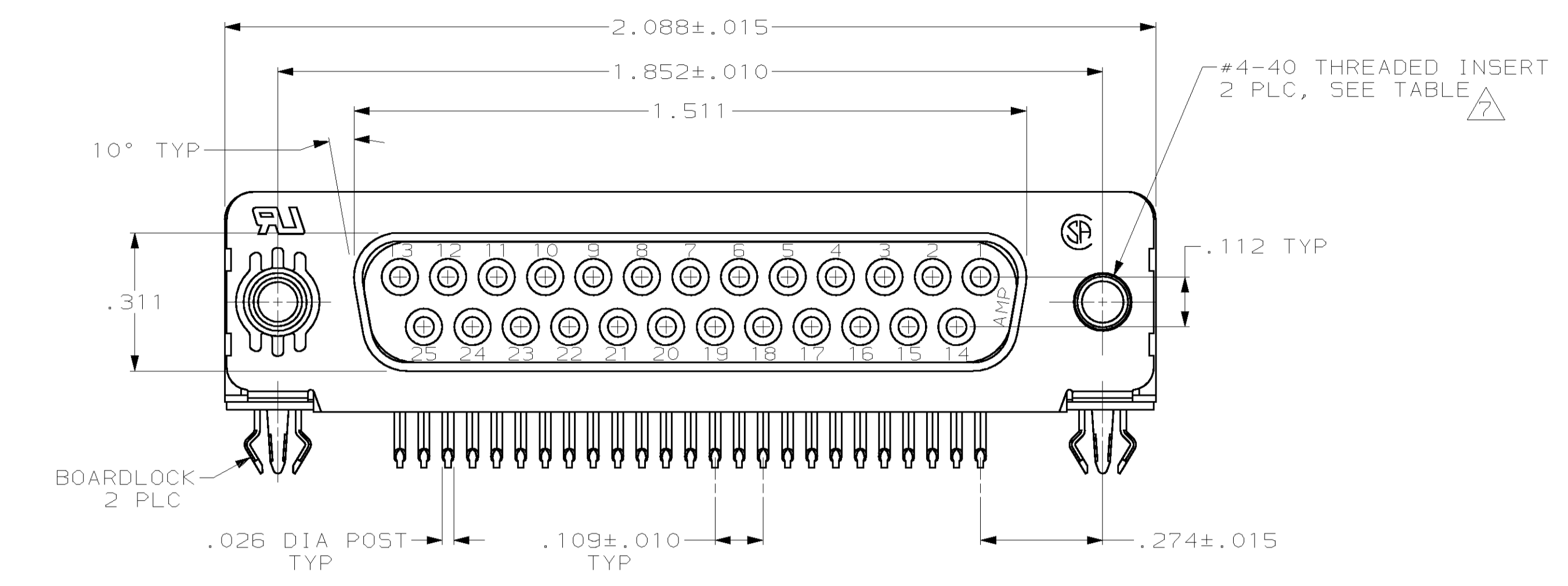


LOC	DIST	REVISIONS			
F	CHR	DESCRIPTION	DATE	OWN	APVD
T		REV PER EC 0640-0285-99	15FEB00	DD	KB
U		REV PER EC 001D-0142-00	08 MAY 00	DB	JK



RECOMMENDED P.C. BOARD MOUNTING DIMENSIONS

- CONNECTOR MATES WITH ANY 25 POSN PLUG IN AMPLIMITE™ SERIES.
- MOLDED PARTS: FLAME RETARDANT 94V-0 RATED THERMOPLASTIC, BLACK.
SHELL: STEEL PER ASTM A109
CONTACTS: PHOSPHOR BRONZE PER QQ-B-750
EYELETS: BRASS
SCREWLOCKS: ZINC
INSERTS: ZINC
BOARDLOCKS: COPPER ALLOY
- SHELL: .000100 MIN TIN OR TIN-LEAD
CONTACTS: SEE TABLE
EYELETS: TIN
SCREWLOCKS: CLEAR CHROMATE
BOARDLOCKS: TIN-LEAD
INSERTS: CLEAR CHROMATE
- GOLD PLATING PER MIL-G-45204, NICKEL PLATING PER QQ-N-290, TIN PLATING PER MIL-T-10727.
- GOLD FLASH FOR A DISTANCE OF .100 MIN FROM MATING END, .000100-.000200 BRIGHT TIN OR BRIGHT TIN-LEAD ON TERMINATION END, ALL OVER .000050 NICKEL ON ENTIRE CONTACT.
- .000030 GOLD FOR A DISTANCE OF .100 MIN FROM MATING END, .000100-.000200 BRIGHT TIN OR BRIGHT TIN-LEAD ON TERMINATION END, ALL OVER .000050 NICKEL ON ENTIRE CONTACT.
- SCREWLOCKS & INSERTS WILL WITHSTAND 4 IN-LBS TORQUE & 20 LBS PULL OUT FORCE FROM MATING FACE SIDE.
- DIMENSION APPLIES FROM CENTER OF CONTACTS.

SUPSD BY 747830-6	FEMALE SCREWLOCKS	△	747830-6
	FEMALE SCREWLOCKS	△	747830-5
	THREADED INSERTS	△	747830-4
SUPSD BY 747830-4	THREADED INSERTS	△	747830-3
OBSOLETE	.125 DIA HOLES	△	747830-2
OBSOLETE	.125 DIA HOLES	△	747830-1
	MOUNTING HARDWARE		PART NUMBER
	CONTACT FINISH	△	

THIS DRAWING IS A CONTROLLED DOCUMENT.

DIMENSIONS INCHES	TOLERANCES UNLESS OTHERWISE SPECIFIED	0 PLC ±.005	1 PLC ±.005	2 PLC ±.005	3 PLC ±.005	4 PLC ±.005	ANGLES ±.2°
-------------------	---------------------------------------	-------------	-------------	-------------	-------------	-------------	-------------

AMP INCORPORATED
 HARRISBURG, PA 17105-3608

NAME: RECEPTACLE ASSEMBLY, SIZE 3, 25 POSITION, 108-40025
 RIGHT ANGLE, FRONT METAL SHELL, .590 SERIES, .026 DIA POSTS, BOARDLOCKS, AMPLIMITE™ HD-20

SIZE: 114-40010
 WEIGHT: -
 CUSTOMER DRAWING

SCALE: 4:1 SHEET 1 OF 1 REV U