

**Technical specification:**

Rated voltage: IEC 61076-2-101	3pos 250 V
Current rating: IEC 61076-2-101	4 A at 40°C
Insulation resistance: IEC 60512	≥100 MΩ
Pollution degree: IEC 60664-1	3/2
Degree of protection: IEC 60529	IP 67, in mated condition
Temperature range: IEC 60664-1	-30°C ... +80°C
Mating cycles: IEC 60512-9a	≥100

**Materials:**

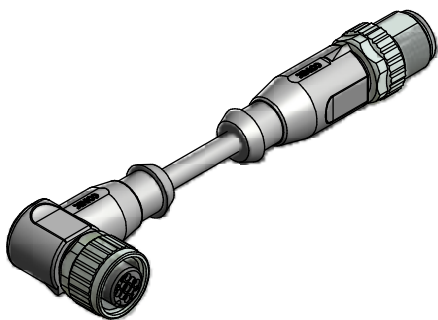
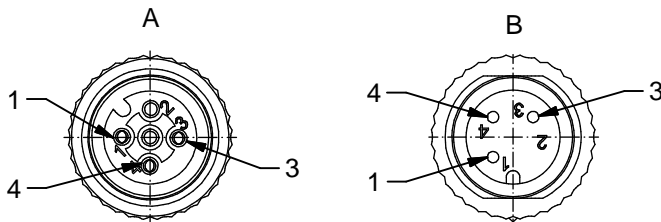
Contact:	CuZn
Contact plating:	Nickel, gold plated
Contact carrier:	TPU GF, UL 94
Sealing:	FPM
Coupling nut/ screw:	GD-Zn, nickel plated
Moulding body:	TPU, UL 94, grey

**Installation specification:**

Recommended torque:	0,6 Nm
Conec installation tool:	Torque wrench: 36-000200 Insert across flats 13: 36-000220

**Contact assignment:**

- 1) brown
- 3) blue
- 4) black



Part no:	Description:	Length L:	Cable:
43-10688	SAL - 12 - RKW3 - RS3 - 0,3 / A1	0,3m	PVC, grey, 3x0,34mm <sup>2</sup> Cable: 781-A13300
43-10689	SAL - 12 - RKW3 - RS3 - 0,6 / A1	0,6m	
43-10690	SAL - 12 - RKW3 - RS3 - 1,5 / A1	1,5m	
43-10691	SAL - 12 - RKW3 - RS3 - 3,0 / A1	3m	
43-xxxxx	SAL - 12 - RKW3 - RS3 - ... / A1	x	

D see data sheet cable

DO NOT ALTER CAD DRAWING BY HAND	Directive 2002/95/EC RoHS compliant	Index: b 02.02.2011 VF Ä3767 Coupling nut/ screw modified, spanner flats added, data sheet modified	dim. in mm	title: <b>Connecting cable M12x1, female connector angled - male connector axial</b>						
		tolerance of cable: L ≤ 4m: L + 40mm L > 4m: L + 1%			<table border="1"> <tr> <td>date</td> <td>name</td> </tr> <tr> <td>drawn 14.03.07</td> <td>Burschik</td> </tr> <tr> <td>appd. 14.03.07</td> <td>Mankopf</td> </tr> </table>	date	name	drawn 14.03.07	Burschik	appd. 14.03.07
		date	name							
		drawn 14.03.07	Burschik							
appd. 14.03.07	Mankopf									
THIS DRAWING MAY NOT BE COPIED OR REPRODUCED IN ANY WAY, AND MAY NOT BE PASSED ON TO A THIRD PARTY WITHOUT WRITTEN PERMISSION. OWNERSHIP AND COPYRIGHT OF CONEC GmbH		dwg no:	43K1A440							
		part no:	see table							