

THIS DRAWING IS UNPUBLISHED.

RELEASED FOR PUBLICATION

-,-

LOC

DIST

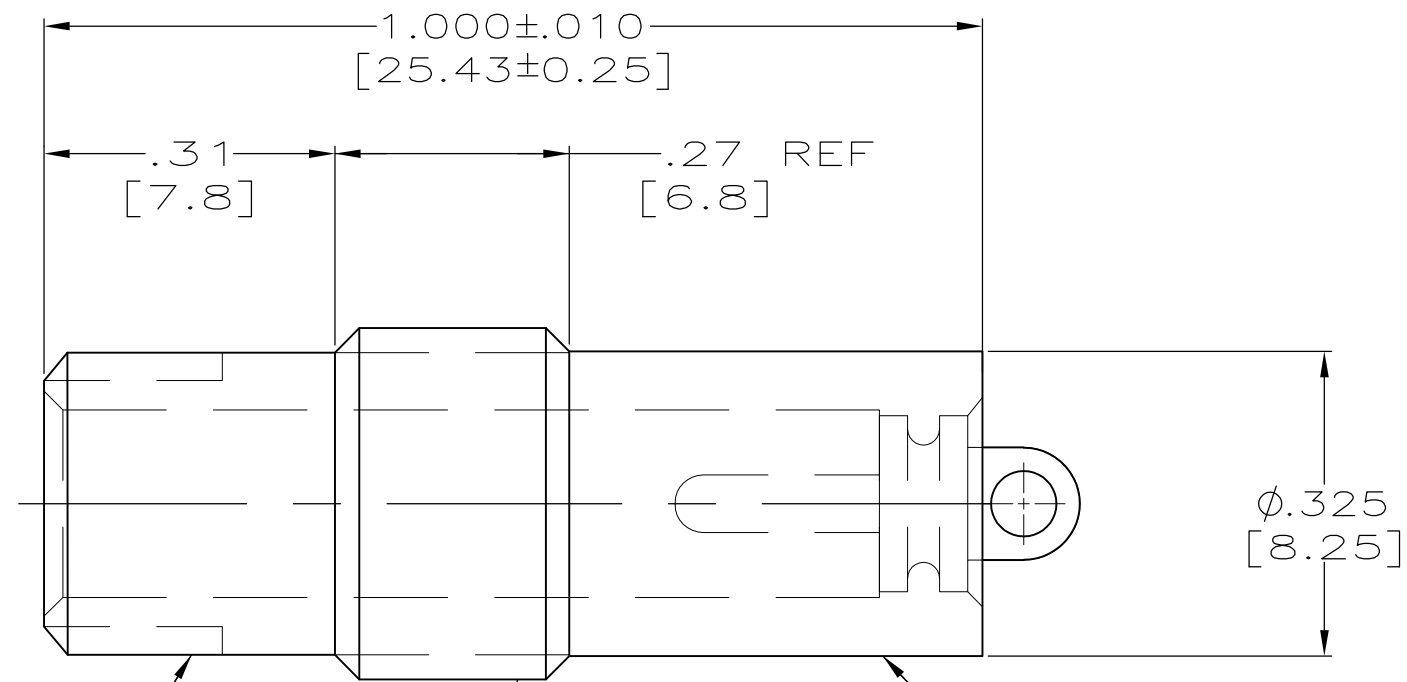
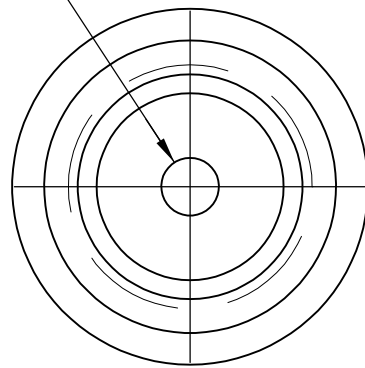
REVISIONS

© COPYRIGHT - By -

ALL RIGHTS RESERVED.

P	LTR	DESCRIPTION	DATE	DWN	APVD
	C	REV PER ECO 11-019268	10-12-11	CT	DE

.062 [1.57] DIA PIN
 MAT'L: BRASS PER ASTM-B-16
 FINISH: GOLD PLATED PER MIL-G-45204
 OVER NICKEL PER QQ-N-290



5/16-32 UNEF-2A


3/8-24 UNF-2A

RECEPTACLE
 MAT'L: EPOXY MLDG. CMPD.
 COLOR: BLACK

448464-1

PART NUMBER

1. RECEPTACLE WILL ACCEPT A LGH-1/2L LEAD WITH A .89 [22.6] MOLDED END LENGTH.

THIS DRAWING IS A CONTROLLED DOCUMENT.		DWN C.C.THOMAS 7-1-92	 TE Connectivity														
DIMENSIONS: INCHES [mm]		CHK S.GLATFELTER 7-8-92															
TOLERANCES UNLESS OTHERWISE SPECIFIED:		APVD S.GLATFELTER 7-8-92	NAME RECEPTACLE, LGH-1/2L, SPECIAL														
<table border="0"> <tr><td>0 PLC</td><td>± -</td></tr> <tr><td>1 PLC</td><td>± -</td></tr> <tr><td>2 PLC</td><td>± .01 [0.3]</td></tr> <tr><td>3 PLC</td><td>± .005 [0.13]</td></tr> <tr><td>4 PLC</td><td>± -</td></tr> <tr><td>ANGLES</td><td>± -</td></tr> </table>		0 PLC	± -	1 PLC	± -	2 PLC	± .01 [0.3]	3 PLC	± .005 [0.13]	4 PLC	± -	ANGLES	± -	PRODUCT SPEC -	-		
0 PLC	± -																
1 PLC	± -																
2 PLC	± .01 [0.3]																
3 PLC	± .005 [0.13]																
4 PLC	± -																
ANGLES	± -																
MATERIAL SEE CALLOUTS		APPLICATION SPEC -	SIZE A3	CAGE CODE 00779	DRAWING NO C-448464	RESTRICTED TO -											
FINISH SEE CALLOUTS		WEIGHT -	CUSTOMER DRAWING		SCALE 5:1	SHEET 1 OF 1	REV C										