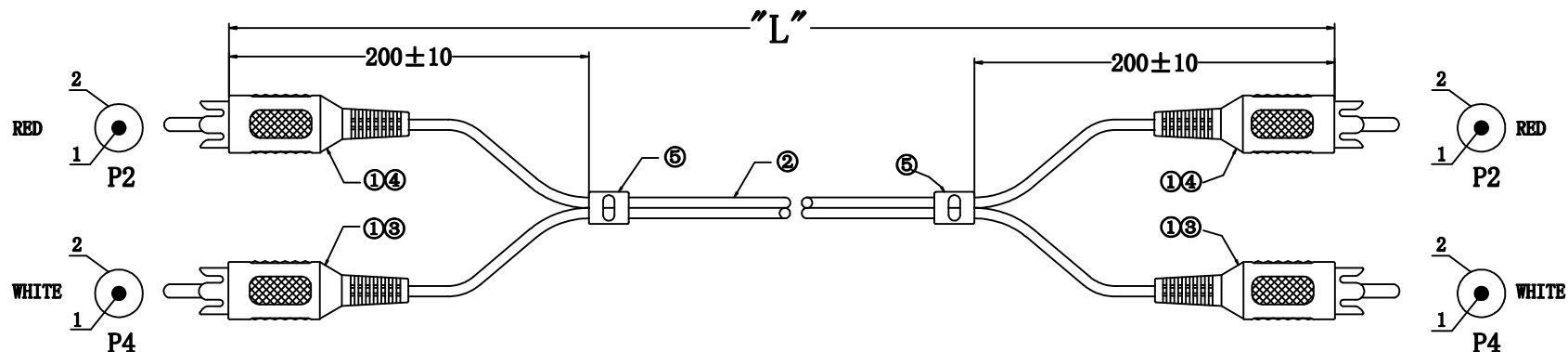


UNIT:MM

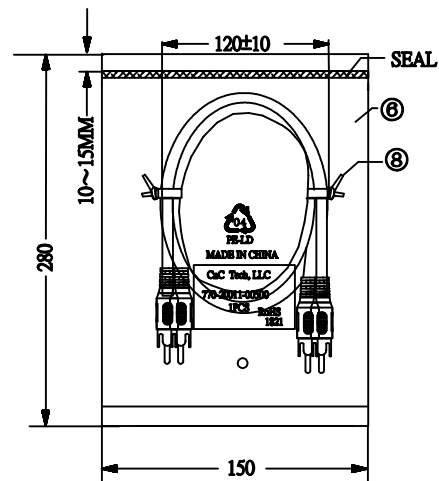
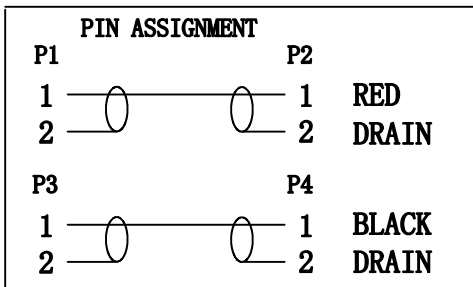
REVISION INFORMATION

Rev.	Rev. Date	Modified By	Brief Description
A/1	18-07-31	B0730A	修改SR色号
A/2	18-08-30	B0829A	修改成型胶粒硬度



Electrical test:
 1. 100% short, open, miswire test
 2. Conduct resistance: 5 Ohm (max)
 3. Insulation resistance: 10Mohm (min)
 4. dielectric test: DC 300V

PART NO	WIRE LENGTH "L"	BUYER COLOR	VENDOR COLOR	CUT LENGTH
770-20011-00500	5000±50		BLACK	5000-5010MM



NO.	NAME	Q'TY	SPECIFICATION
⑧	TIE	2	BLACK L=90MM
⑦	PE BAG	1/10	CLEAR SIZE:280*330*0.05mm PRINT BLACK"MADE IN CHINA"+5PC
⑥	PE BAG	1	CLEAR SIZE:150*280*0.05mm PRINT BLACK"MADE IN CHINA"+1PC
⑤	S/R	3.0g	BLACK PVC 55P (Mould NO. :SR-048)
④	IN JACKET	1.6g	CLEAR LD-PE (Mould NO. :NM-006)
	OUT JACKET	6.6g	PVC-55P RED (R1-064) (Mould NO. WM-009)
③	IN JACKET	1.6g	CLEAR LD-PE (Mould NO. :NM-006)
	OUT JACKET	6.6g	PVC-55P WHITE (W-166) (Mould NO. WM-009)
②	CABLE	1	NOUL 28#(0.12/7+30/0.12)*2F JACKET BLACK OD2.8*5.6mm
①	CONN	4	RCA PLUG MALE 梅花型 TYPE NI-PLATED INSULATOR COLOR: BROWN

CnC Tech, LLC
 Industrial Cable and Connector Technology

DRAWN BY:	DATE: 2018/08/30	DESCRIPTION: 2F CABLE RCA*2+RCA*2
CHECKED BY:	SHEET 1 of 1	ITEM NO. As above
APPROVED BY:	SCALE 1:1	REV. A/2 UNIT: mm