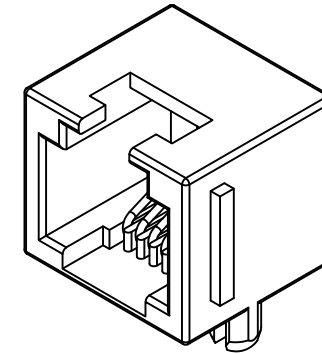


Recommended PCB Layout
Tolerance : ±0.05mm
Thickness: 1.60mm



Specifications

Material

Insulator: PBT, UL 94V-0, Black
Contact: Phosphor Bronze, Ø=0.46mm

Plating

See Ordering Grid

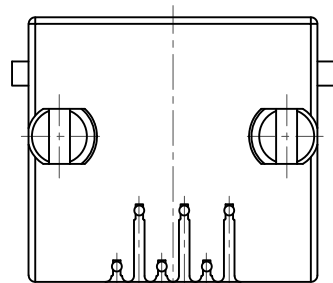
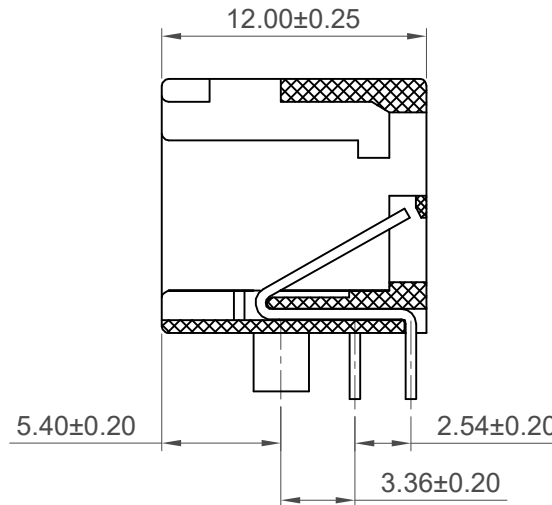
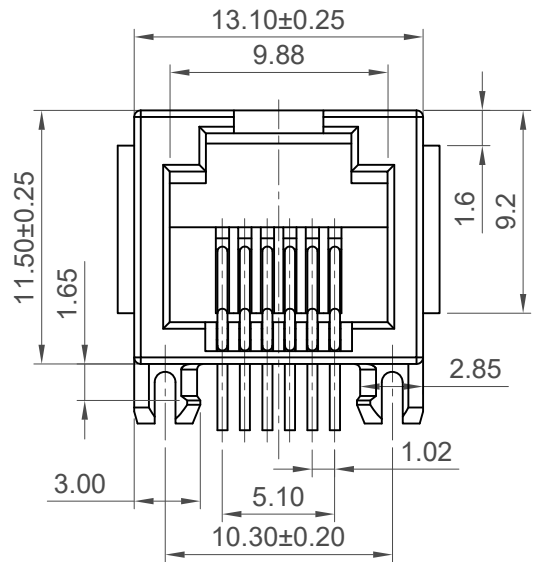
Electrical

Current Rating : 1.5 Amp
Current Voltage : 150V AC RMS
Contact Resistance : 30 mΩ max.
Insulation Resistance: 500 MΩ min.
Dielectric Withstand Voltage :
1000V AC Between Terminal to Terminal

Mechanical & Environmental

Storage Temperature : -10°C to +70°C,
Relative Humidity <80%
Operation Temperature : -40°C to +85°C
Operating Life : 750 Cycles Min.
Mating/Unmating Force: 30N Max.
Retention Strength: 50N for 60s±5s

Wave Soldering Temperature: 245°C ± 5°C, 5s



Ordering Grid

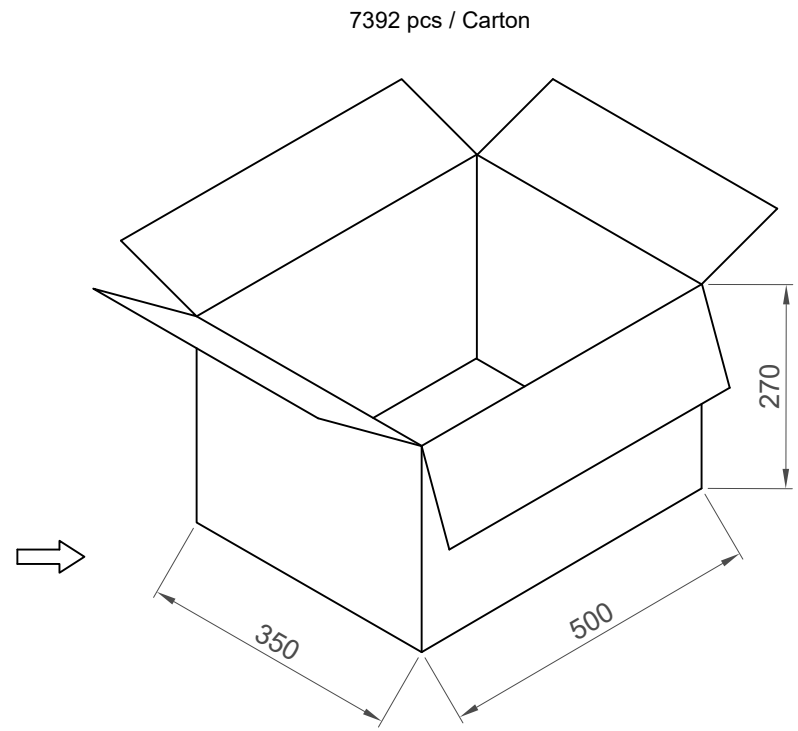
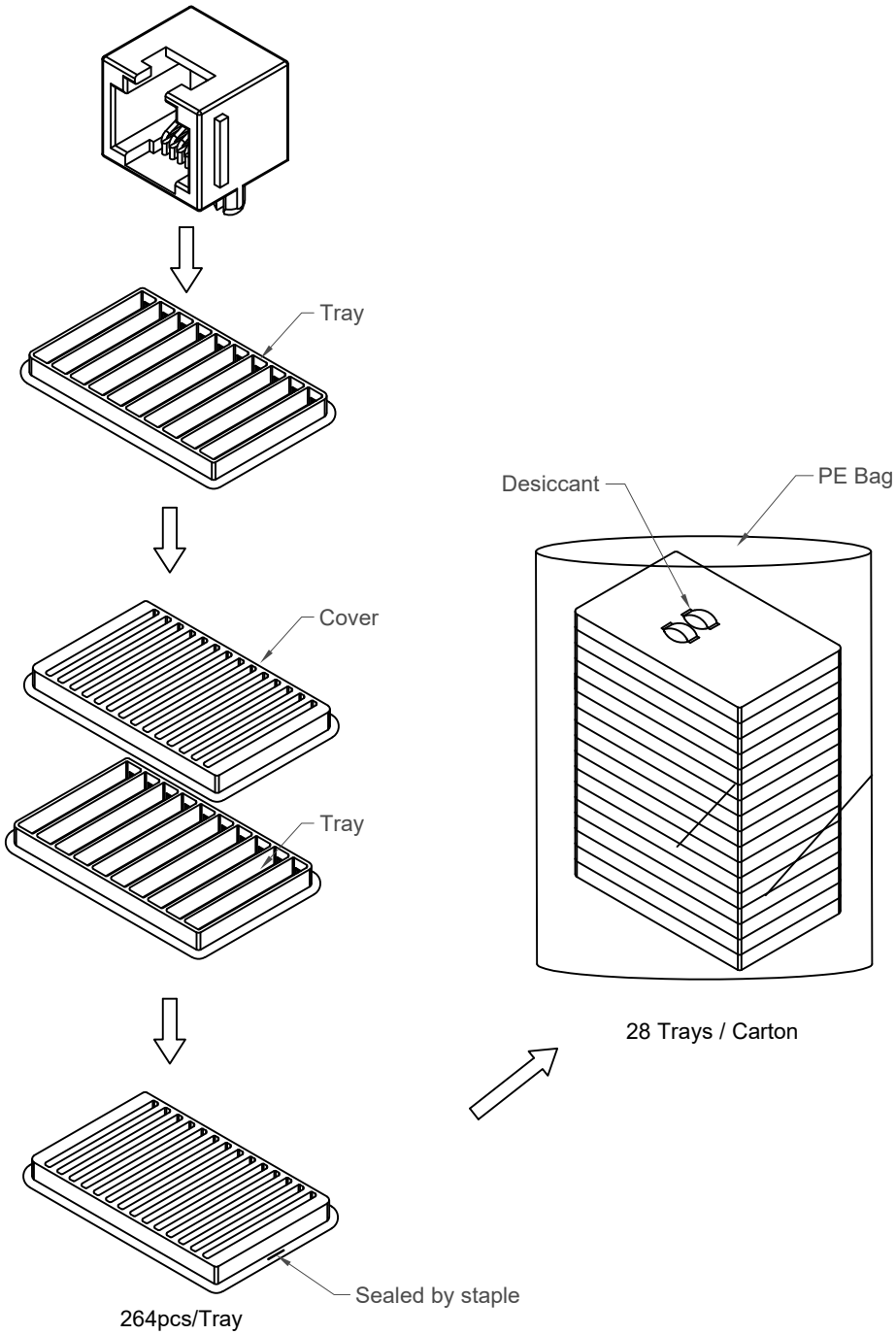
MJ3240 — **66** — **2** Request Samples and Quotation
No. of Positions/
Positions Loaded
66 = 6/6 Contact Plating
2 = 6µ" Gold

| | | | |
|--------------|-----------------|--|-------------|
| Part Number | | Product Description | |
| MJ3240-66 | | Modular Jack Connector, Right Angle, Through Hole, Low Profile | |
| Drawing Date | | 2nd April 2021 | |
| By | CC | Tolerances (Except as Noted) | Units: |
| Detail | Drawing Release | Length | Metric (mm) |
| Revision | A2 | X.XX ± 0.15 | |
| Date | 26/12/22 | X.X ± 0.20 | |




This drawing is confidential and copyright of Global Connector Technology, Ltd (GCT). This drawing must not be copied or disclosed without written consent. E & OE



| | | |
|--------------|-------------|---------------|
| Not to Scale | Drawn By CC | Sheet No. 1/2 |
|--------------|-------------|---------------|



| Pcs/Tray | Trays/Carton | Total Quantity |
|----------|--------------|----------------|
| 264 | 28 | 7392 pcs |

| | | | | |
|--------------|-----------------|--|----------------------|--|
| Part Number | | Product Description | |  www.gct.co |
| MJ3240-66 | | Modular Jack Connector, Right Angle, Through Hole, Low Profile | | |
| Drawing Date | | 2nd April 2021 | | |
| By | CC | Tolerances (Except as Noted) | Units: |   This drawing is confidential and copyright of Global Connector Technology, Ltd (GCT). This drawing must not be copied or disclosed without written consent. E & OE |
| Detail | Drawing Release | Length | Metric (mm) | |
| Revision | A2 | X.XX ± 0.15 | ± 1° | |
| Date | 26/12/22 | X.X ± 0.20 | 3rd Angle Projection | |
| Not to Scale | | Drawn By | CC | Sheet No. |
| | | | | 2/2 |