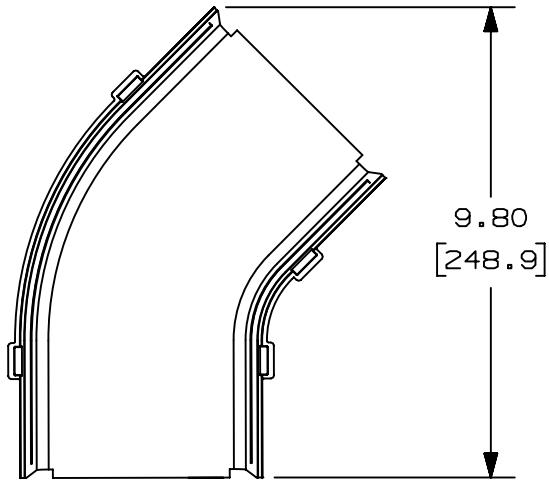


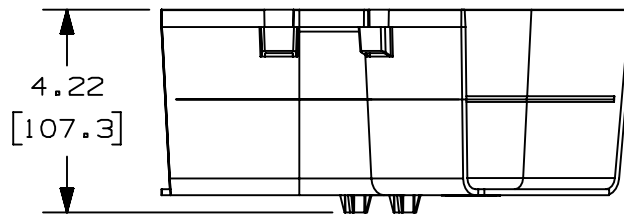
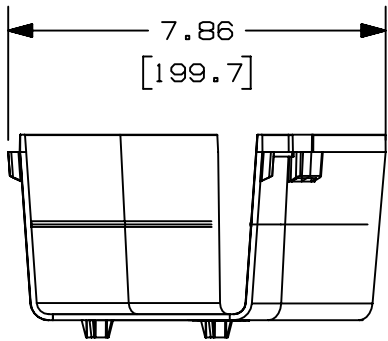
THIS COPY IS PROVIDED ON A RESTRICTED BASIS AND IS NOT TO BE USED IN ANY WAY DETRIMENTAL TO THE INTERESTS OF PANDUIT CORP.



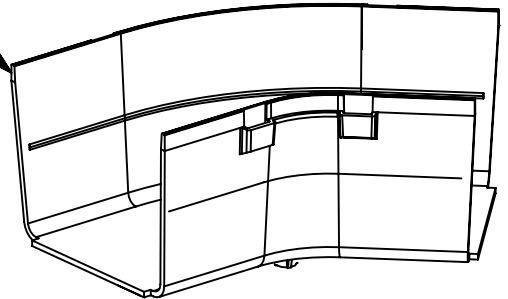
**NOTES:**

1. SEE CURRENT CATALOG FOR ADDITIONAL PART SUFFIXES TO INDICATE COLOR AND/OR PACKAGE QUANTITY.
2. THE FIBERRUNNER 4x4 HORIZONTAL 45° ANGLE FITTING IS DESIGNED WITH A MINIMUM 2" (50.8) BEND RADIUS TO PROTECT FIBER OPTIC CABLES.
3. DIMENSIONS IN PARENTHESES ARE IN METRIC.
4. PARTS SUPPLIED:  
(1) - HORIZONTAL 45°

PANDUIT PART NUMBER	WEIGHT	MATERIAL
FRH454X4**	0.59 LB/EACH (266g/EACH)	ABS
FRH454X4L**	0.59 LB/EACH (266g/EACH)	PC/ABS



HORIZONTAL 45°



TITLE  
**FIBERRUNNER 4x4 HORIZONTAL 45° ANGLE FITTING  
(FRH454X4\*\*, FRH454X4L\*\*)**

CUSTOMER DRAWING

ITEM REVISION NAME

D37847BM/05

DATASET FILE NAME

D37847BM\_DC\_FRH454X4/05A

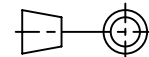
**PANDUIT**

MATERIAL:

SEE PART NUMBER  
TABLE ABOVE

DRAWING NUMBER:

37847-56



THIRD ANGLE  
PROJECTION

REV	DATE	BY	CHK	APR	DESCRIPTION	ECN
05A	9/1/20	MEX-JAGC	DWR	DWR	ADDED PART NUMBER UPDATED DRAWING BORDER & TITLE BLOCK	V09002DZ/11

DRAWN BY	DATE	CHK	SCALE	DRAWING NUMBER	SIZE
JHNU	7/16/01	RPA	NONE	SHT 1 OF 1	A

D10100DA/20