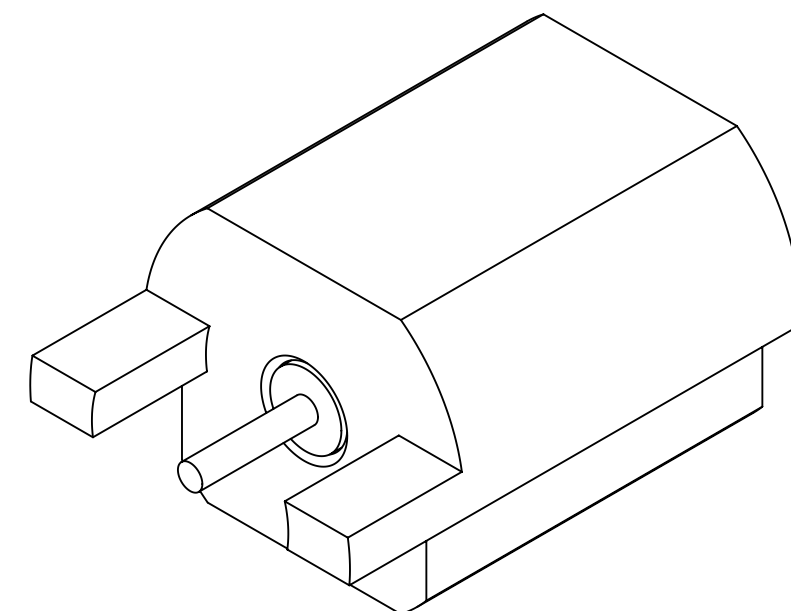
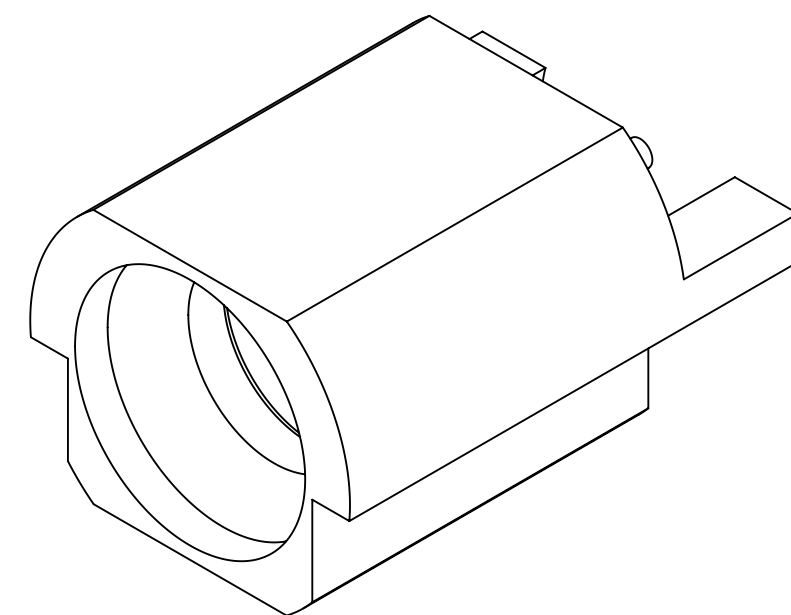
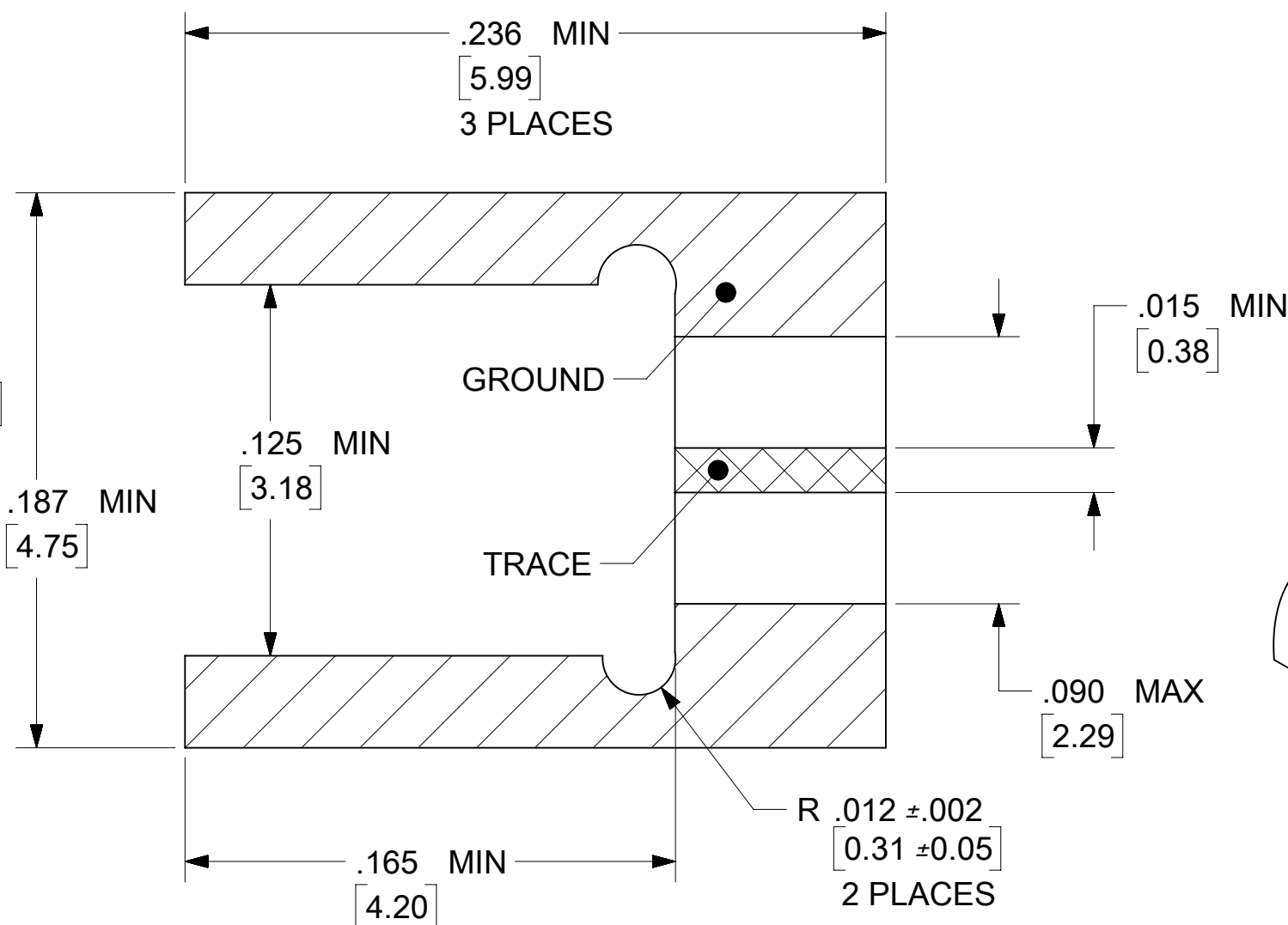
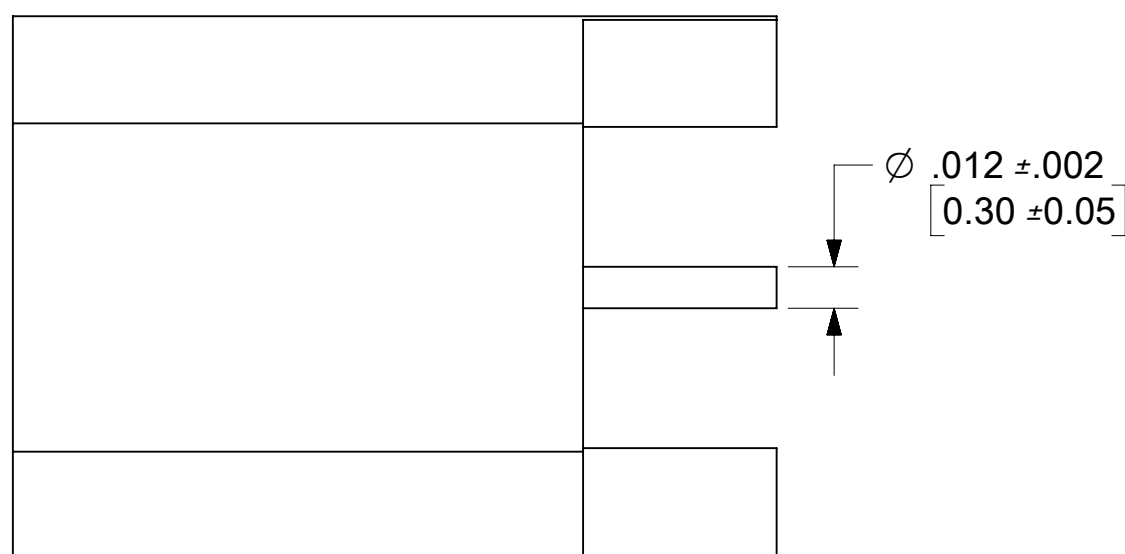


MATERIAL AND FINISH

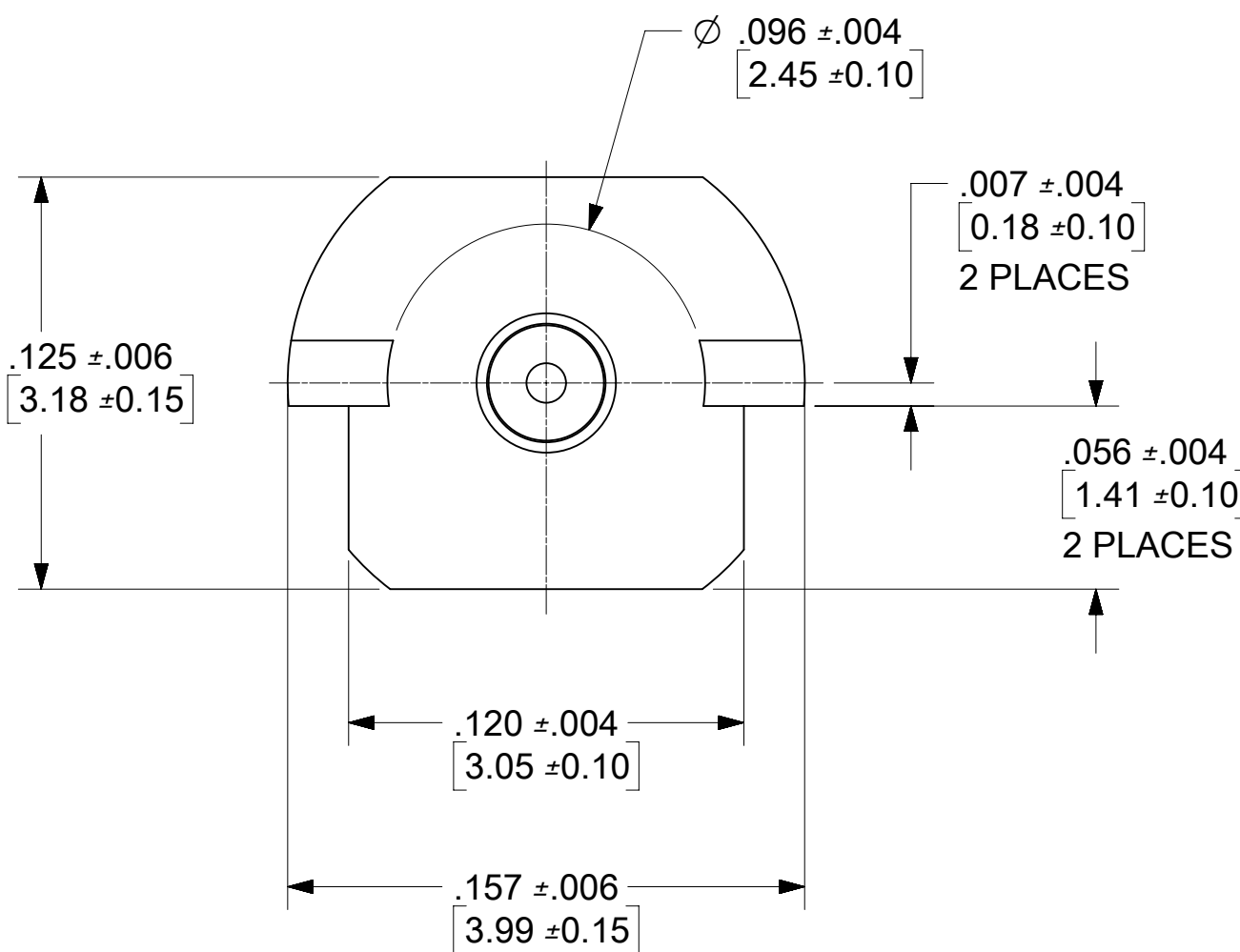
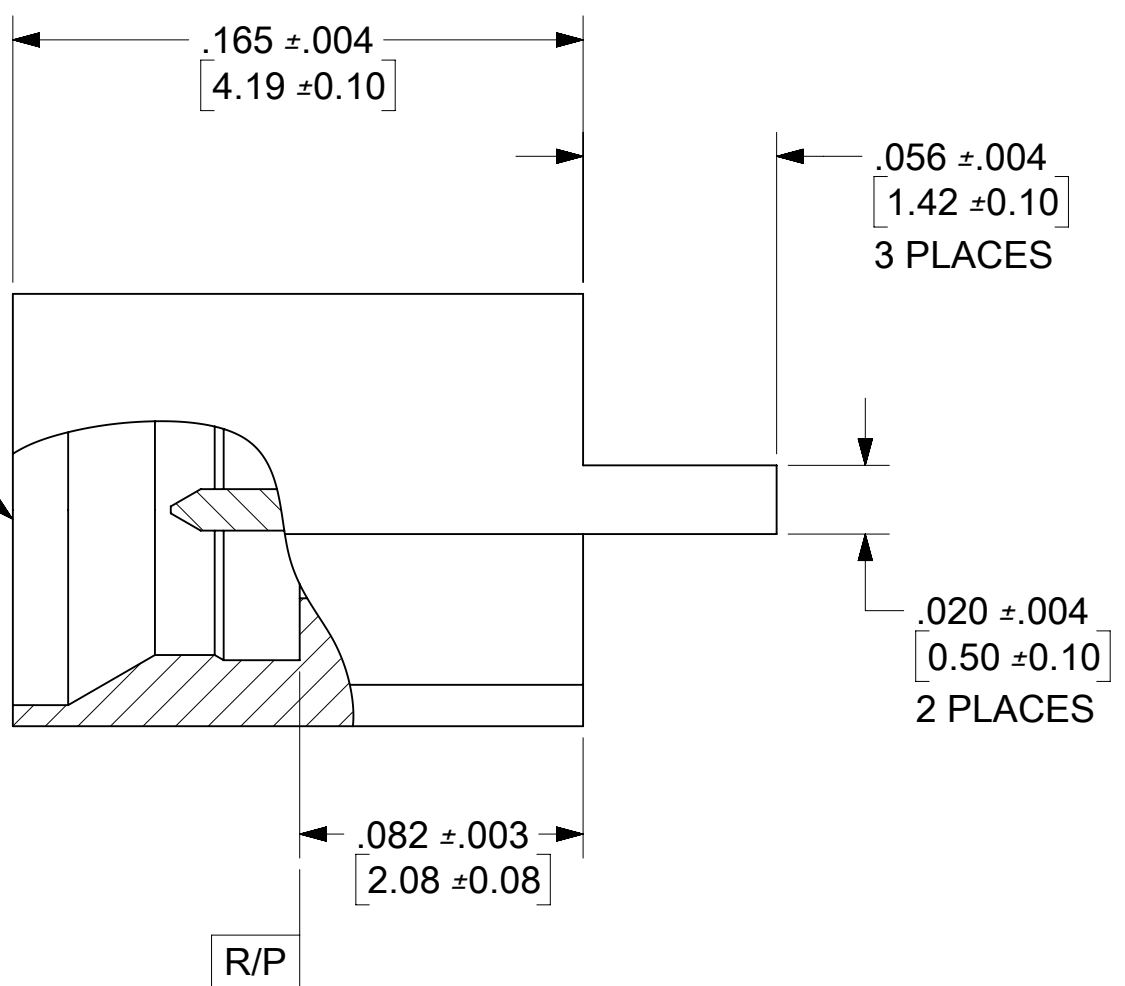
BODY: BRASS
 PLATED GOLD (30μ-in MIN) OVER
 NICKEL (100μ-in MIN)

CONTACT: BERYLLIUM COPPER
 PLATED GOLD (30μ-in MIN) OVER
 NICKEL (100μ-in MIN)

INSULATOR: PTFE

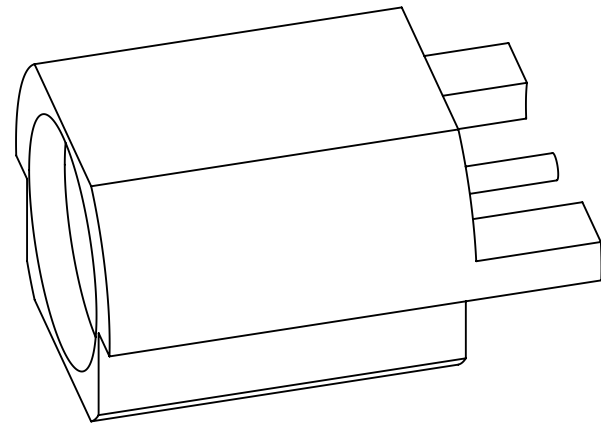


SMPM PLUG
 INTERFACE
 (FULL DETENT)

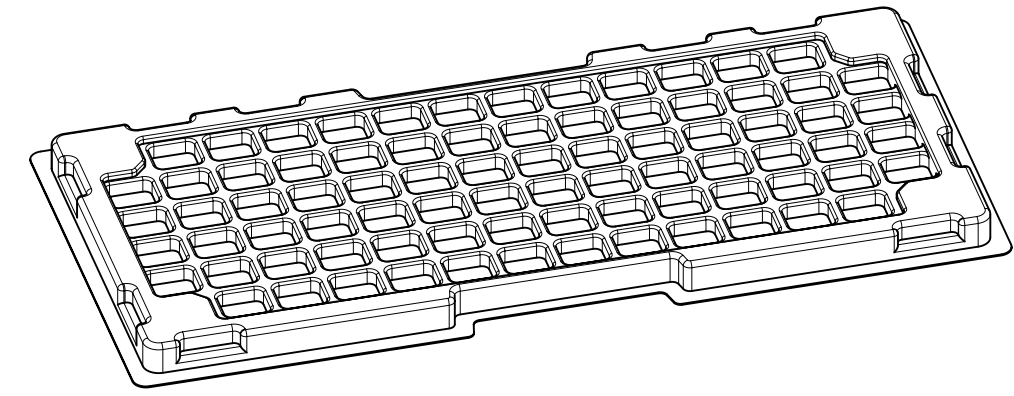
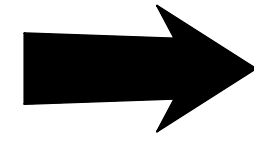


73300-0022	73300-0020 TAPE AND REEL (1000 PCS PER REEL)		
73300-0021	73300-0020 TAPE AND REEL (500 PCS PER REEL)		
73300-0020	SMPM PLUG FD INTERFACE (TRAY 80 CAVITY)	MIL-STD-348B, FIG. 328-2	INTERFACE
PART NO.	PACKAGING	SPECIFICATION	DESCRIPTION

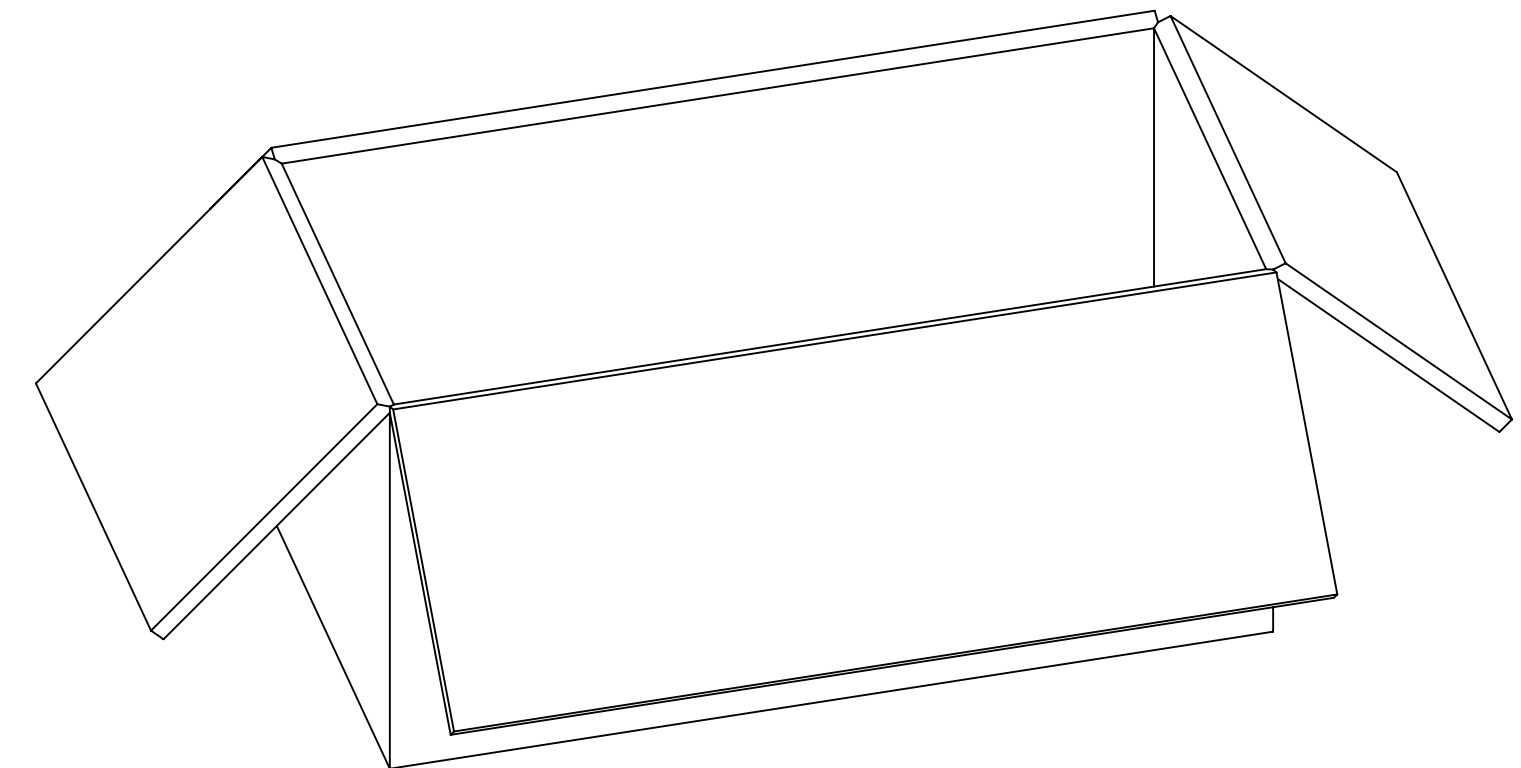
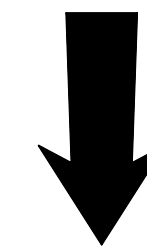
QUALITY SYMBOLS		THIS DRAWING CONTAINS INFORMATION THAT IS PROPRIETARY TO MOLEX ELECTRONIC TECHNOLOGIES, LLC AND SHOULD NOT BE USED WITHOUT WRITTEN PERMISSION													
$\nabla = 0$	MIGRATED EC NO: 168078 DRWN: SH001 CHKD: SSSHAH REV / APPR: AROBERTSON 2017/08/15 2017/11/27 2017/11/27	GENERAL TOLERANCES (UNLESS SPECIFIED)													
$\nabla = 0$		<table border="1"> <tr> <th colspan="2">DIMENSION UNITS</th> <th>SCALE</th> </tr> <tr> <td>INCH</td> <td>NTS</td> <td></td> </tr> </table>		DIMENSION UNITS		SCALE	INCH	NTS							
DIMENSION UNITS		SCALE													
INCH		NTS													
$\nabla = 0$		<table border="1"> <tr> <th>MM</th> <th>INCH</th> </tr> <tr> <td>4 PLACES ±</td> <td>±</td> </tr> <tr> <td>3 PLACES ±</td> <td>±</td> </tr> <tr> <td>2 PLACES ±</td> <td>±</td> </tr> <tr> <td>1 PLACES ±</td> <td>±</td> </tr> <tr> <td>0 PLACES ±</td> <td>±</td> </tr> </table>		MM	INCH	4 PLACES ±	±	3 PLACES ±	±	2 PLACES ±	±	1 PLACES ±	±	0 PLACES ±	±
MM		INCH													
4 PLACES ±		±													
3 PLACES ±		±													
2 PLACES ±		±													
1 PLACES ±		±													
0 PLACES ±	±														
$\nabla = 0$	<table border="1"> <tr> <th>DRWN BY</th> <th>DATE</th> </tr> <tr> <td>JLEE</td> <td>2007/09/20</td> </tr> </table>		DRWN BY	DATE	JLEE	2007/09/20									
DRWN BY	DATE														
JLEE	2007/09/20														
$\nabla = 0$	<table border="1"> <tr> <th>CHK'D BY</th> <th>DATE</th> </tr> <tr> <td>SSS</td> <td>2007/09/20</td> </tr> </table>		CHK'D BY	DATE	SSS	2007/09/20									
CHK'D BY	DATE														
SSS	2007/09/20														
$\nabla = 0$	<table border="1"> <tr> <th>APPR BY</th> <th>DATE</th> </tr> <tr> <td>JWIENER</td> <td>2007/09/20</td> </tr> </table>		APPR BY	DATE	JWIENER	2007/09/20									
APPR BY	DATE														
JWIENER	2007/09/20														
$\nabla = 0$	<table border="1"> <tr> <th>DRAWING SIZE</th> <th>THIRD ANGLE PROJECTION</th> </tr> <tr> <td>C</td> <td></td> </tr> </table>		DRAWING SIZE	THIRD ANGLE PROJECTION	C										
DRAWING SIZE	THIRD ANGLE PROJECTION														
C															
$\nabla = 0$	ANGULAR TOL = 2.0 DRAFT WHERE APPLICABLE MUST REMAIN WITHIN DIMENSIONS														
$\nabla = 0$	PRODUCT CUSTOMER DRAWING														
SERIES: 73300 MATERIAL NUMBER: SEE TABLE CUSTOMER:		molex® SMPM PLUG EDGE MOUNT 50 OHMS, FULL DETENT SMPM-P/PCB, EWR-11427													
DOCUMENT NUMBER: SD-73300-002 DOC TYPE: PSD DOC PART: 001 SHEET NUMBER: 1 OF 5															



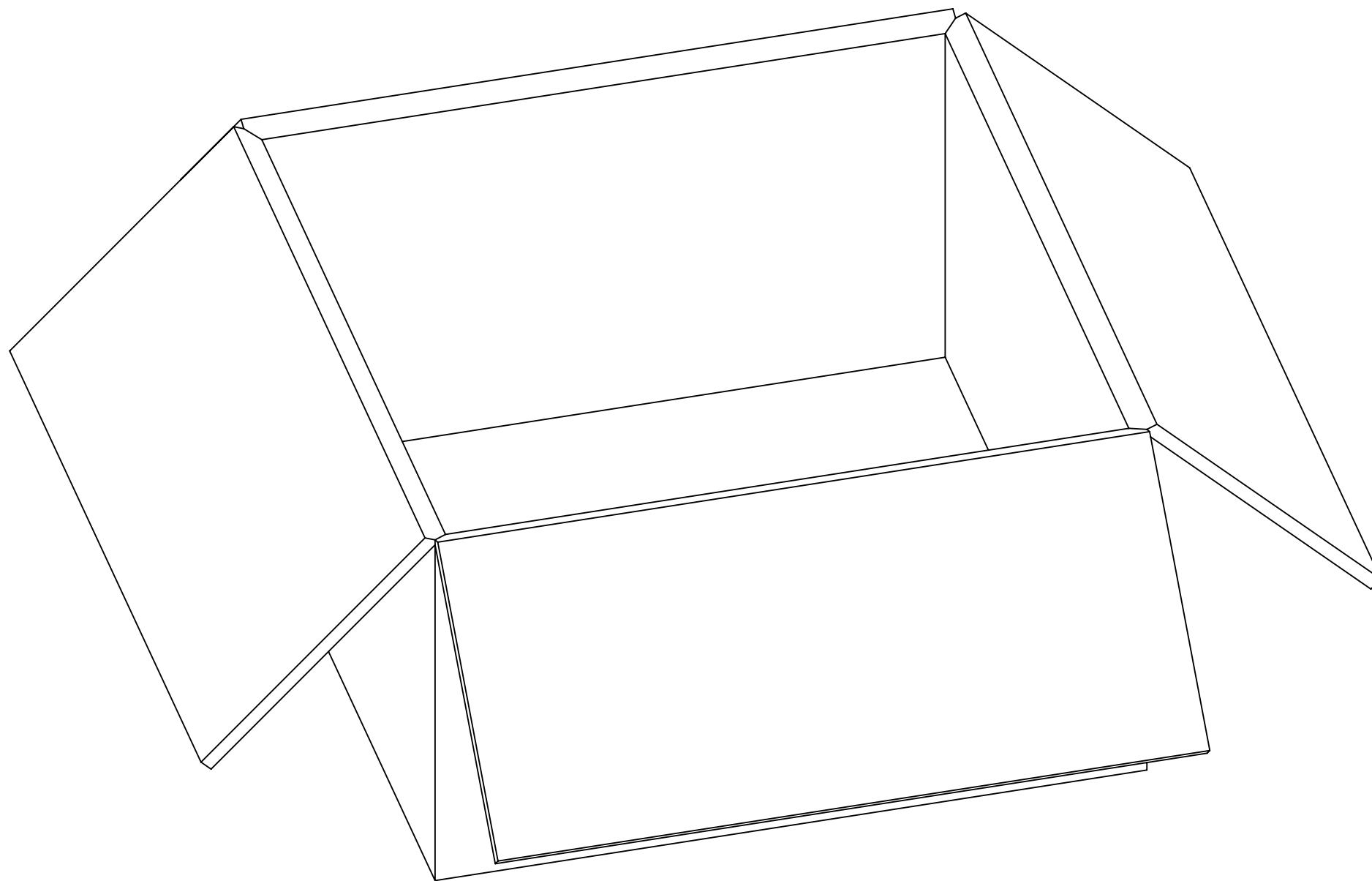
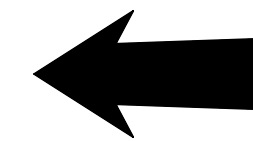
P/N: 73300-0020



**80 SETS PER TRAY
P/N: 89707-0190**

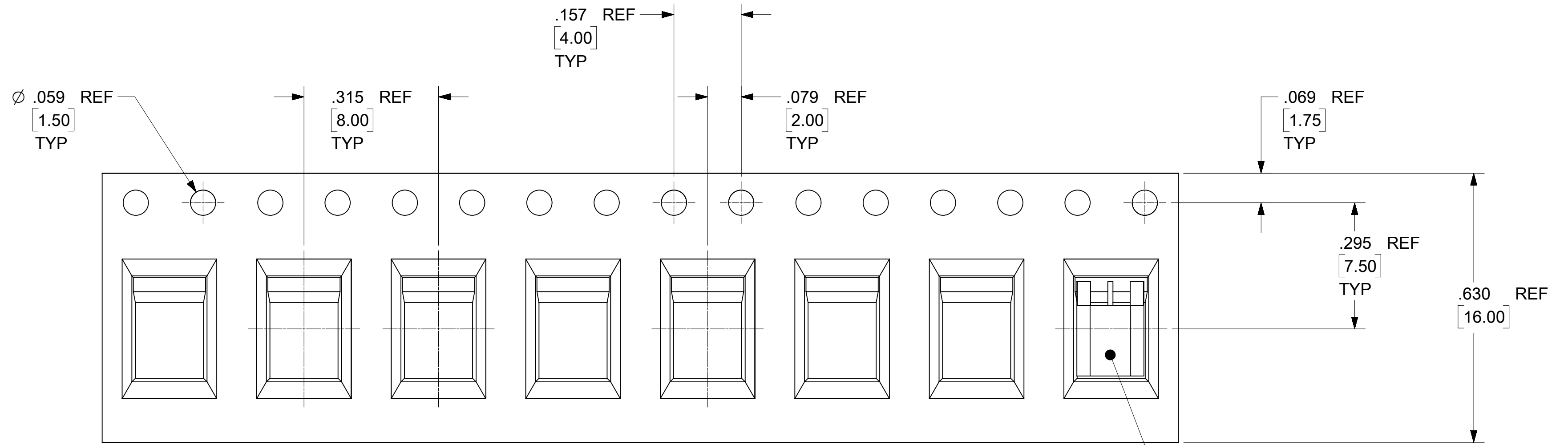


**1600 SETS PER
INNER CARTON BOX
P/N: 96707-0001**



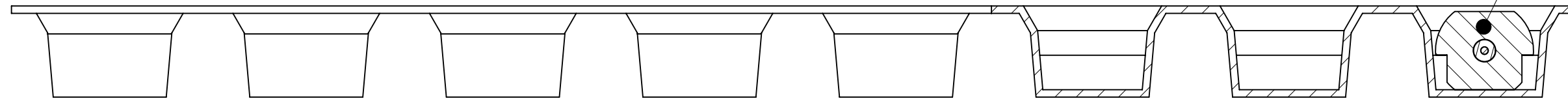
**3200 SETS PER
OUTER CARTON BOX
P/N: 96708-0005**

QUALITY SYMBOLS	THIS DRAWING CONTAINS INFORMATION THAT IS PROPRIETARY TO MOLEX ELECTRONIC TECHNOLOGIES, LLC AND SHOULD NOT BE USED WITHOUT WRITTEN PERMISSION										
▽ = 0	MIGRATED	2017/08/15 2017/11/27	GENERAL TOLERANCES (UNLESS SPECIFIED)		DIMENSION UNITS		SCALE				
▽ = 0			MM	INCH	INCH	NTS					
▽ = 0			4 PLACES ±	±	DRWN BY	DATE	JLEE 2007/09/20				
▽ = 0			3 PLACES ±	±	CHK'D BY	DATE					
▽ = 0			2 PLACES ±	±	APPR BY		DATE	SSS 2007/09/20			
▽ = 0			1 PLACES ±	±	JWIENER		2007/09/20				
▽ = 0	0 PLACES ±	±	ANGULAR TOL = 2.0		DRAWING SIZE		THIRD ANGLE PROJECTION		PRODUCT CUSTOMER DRAWING		
☒ = 0	EC NO: 168078	DRWN: SH001	CHKD: SSSHAH	REV / APPR: AROBERTSON	DRAFT WHERE APPLICABLE MUST REMAIN WITHIN DIMENSIONS		C			SERIES: 73300 MATERIAL NUMBER: SEE TABLE CUSTOMER:	
■ = 0	C3									DOCUMENT NUMBER: SD-73300-002 DOC TYPE: PSD DOC PART: 001 SHEET NUMBER: 2 OF 5	
▽ = 0											

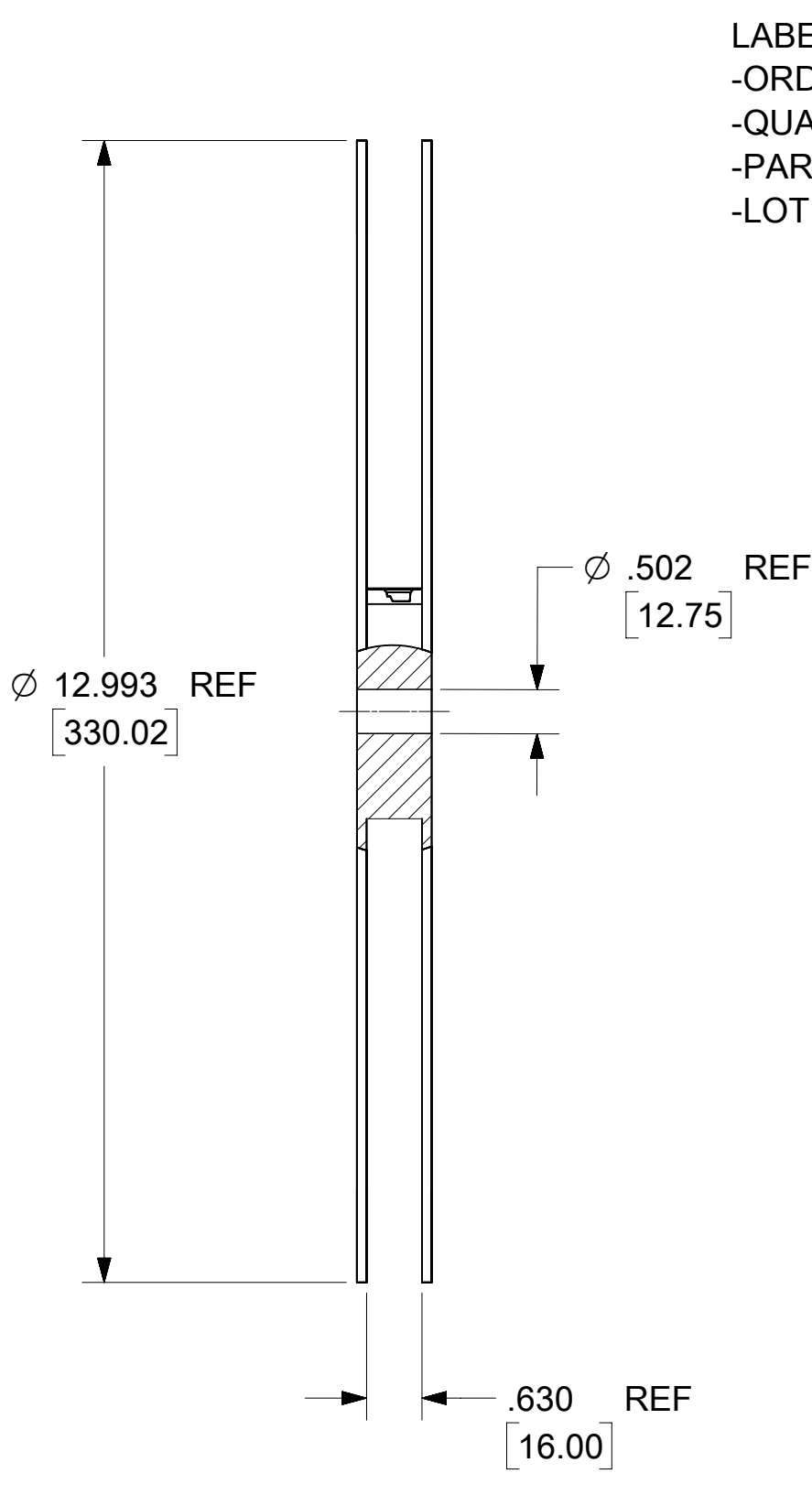


VIEWS FOR P/N: 73300-0021 & -0022

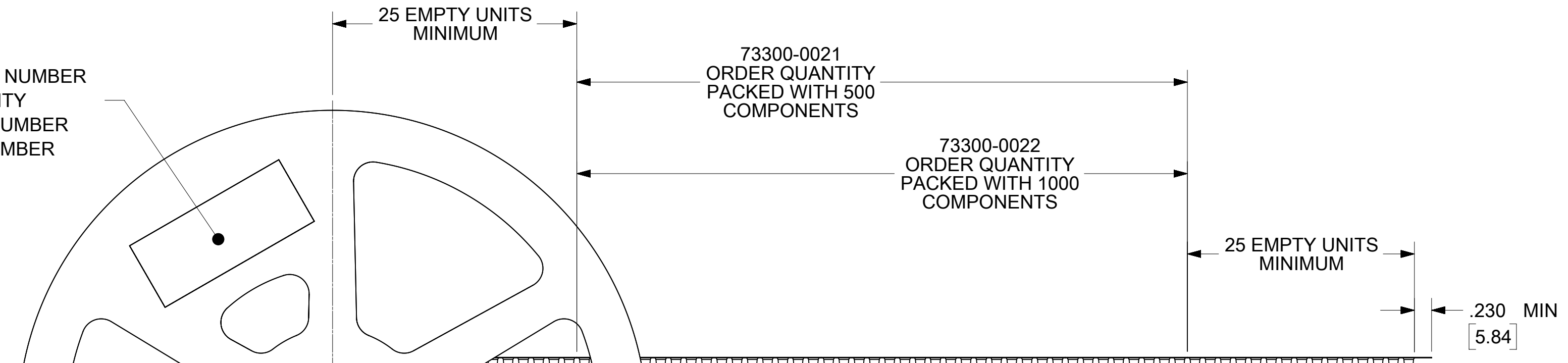
P/N: 73300-0020
SMPM PLUG ASSEMBLY



QUALITY SYMBOLS		THIS DRAWING CONTAINS INFORMATION THAT IS PROPRIETARY TO MOLEX ELECTRONIC TECHNOLOGIES, LLC AND SHOULD NOT BE USED WITHOUT WRITTEN PERMISSION										
▽ = 0	MIGRATED	EC NO: 168078 DRWN: SH001 CHKD: SSSHAH REV / APPR: AROBERTSON	GENERAL TOLERANCES (UNLESS SPECIFIED)				DIMENSION UNITS		SCALE			
▽ = 0			MM		INCH		INCH		NTS			
▽ = 0			4 PLACES	±	±	DRWN BY		DATE		SMPM PLUG EDGE MOUNT 50 OHMS, FULL DETENT SMPM-P/PCB, EWR-11427		
▽ = 0			3 PLACES	±	±	JLEE		2007/09/20				
▽ = 0			2 PLACES	±	±	CHK'D BY		DATE				
▽ = 0			1 PLACES	±	±	SSS		2007/09/20				
▽ = 0	0 PLACES	±	±	APPR BY		DATE		PRODUCT CUSTOMER DRAWING				
☒ = 0			ANGULAR TOL = 2.0		DRAWING SIZE		THIRD ANGLE PROJECTION		SERIES	MATERIAL NUMBER	CUSTOMER	
■ = 0			DRAFT WHERE APPLICABLE MUST REMAIN WITHIN DIMENSIONS		C				73300	SEE TABLE		
▽ = 0									DOCUMENT NUMBER	DOC TYPE	DOC PART	SHEET NUMBER
									SD-73300-002	PSD	001	3 OF 5

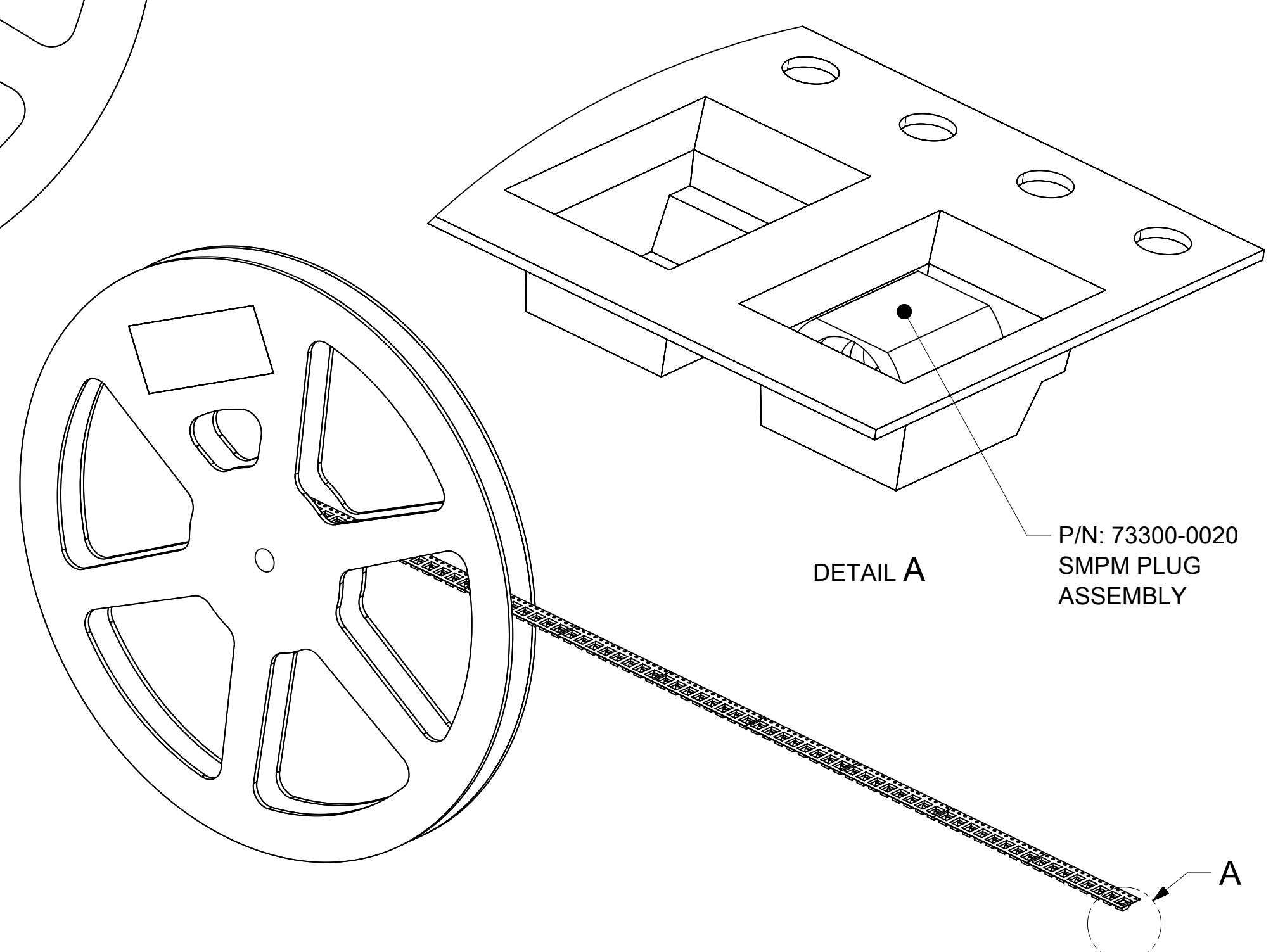


LABEL:
-ORDER NUMBER
-QUANTITY
-PART NUMBER
-LOT NUMBER



HANDLING DIRECTION →

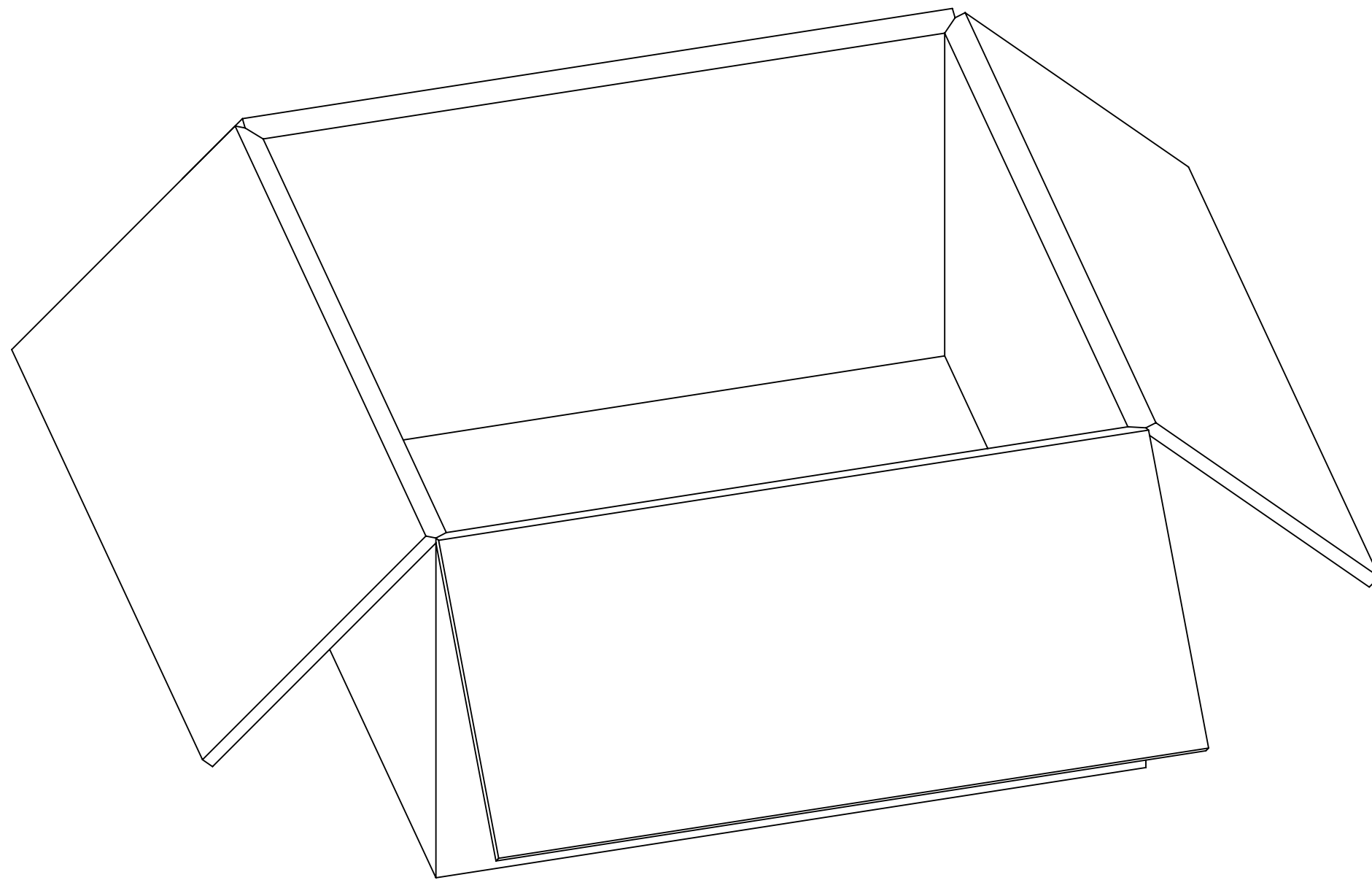
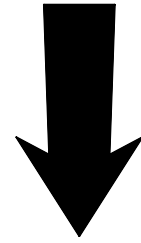
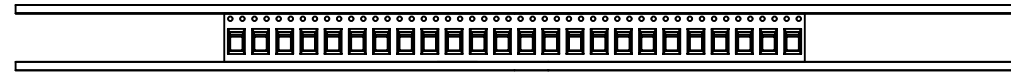
IEWS FOR P/N: 73300-0021 & -0022



THIS DRAWING CONTAINS INFORMATION THAT IS PROPRIETARY TO MOLEX ELECTRONIC TECHNOLOGIES, LLC AND SHOULD NOT BE USED WITHOUT WRITTEN PERMISSION											
QUALITY SYMBOLS	MIGRATED	EC NO: 168078 DRWN: SH001 CHKD: SSSHAH REV / APPR: AROBERTSON	GENERAL TOLERANCES (UNLESS SPECIFIED)		DIMENSION UNITS	SCALE					
					INCH	NTS					
▽ = 0			MM	INCH	DRWN BY	DATE	SMPM PLUG EDGE MOUNT 50 OHMS, FULL DETENT SMPM-P/PCB, EWR-11427				
▽ = 0					JLEE	2007/09/20					
▽ = 0			4 PLACES ±	±	CHK'D BY	DATE	PRODUCT CUSTOMER DRAWING				
▽ = 0			3 PLACES ±	±	SSS	2007/09/20					
▽ = 0			2 PLACES ±	±	APPR BY	DATE	SERIES	MATERIAL NUMBER	CUSTOMER		
▽ = 0			1 PLACES ±	±	JWIENER	2007/09/20	73300	SEE TABLE			
▽ = 0			0 PLACES ±	±	ANGULAR TOL = 2.0	DRAWING SIZE	THIRD ANGLE PROJECTION	DOCUMENT NUMBER	DOC TYPE	DOC PART	SHEET NUMBER
▽ = 0					DRAFT WHERE APPLICABLE MUST REMAIN WITHIN DIMENSIONS	C		SD-73300-002	PSD	001	4 OF 5
▽ = 0											

P/N: 73300-0021

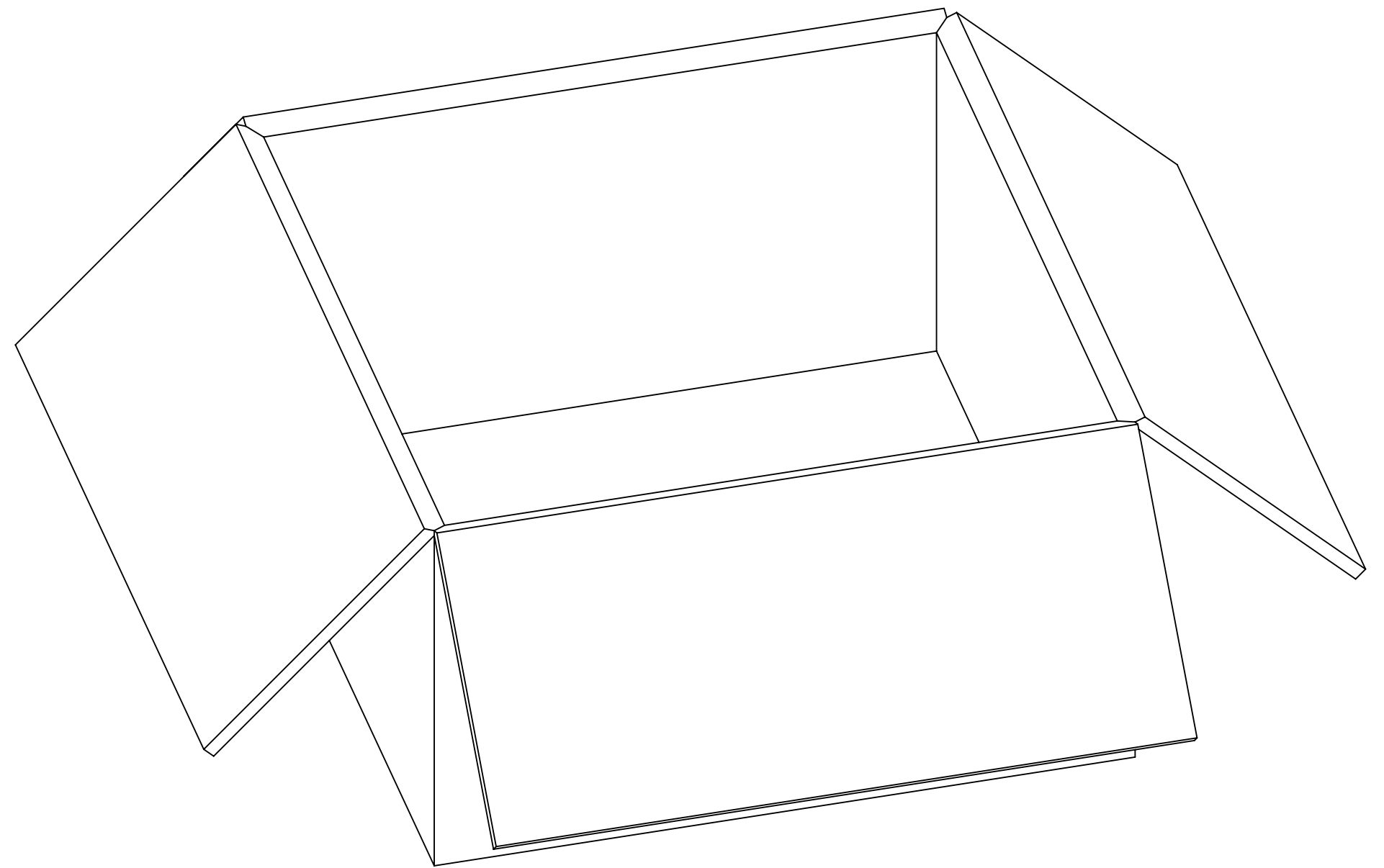
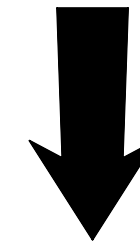
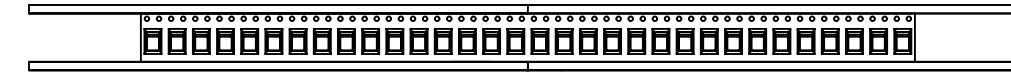
**500 X 73300-0020 PER REEL
P/N: 89707-0234**



**1 REEL PER CARTON
P/N: 89499-7021**

P/N: 73300-0022

**1000 X 73300-0020 PER REEL
P/N: 89707-0234**



**7 REELS PER CARTON
P/N: 89499-9031**

QUALITY SYMBOLS 	THIS DRAWING CONTAINS INFORMATION THAT IS PROPRIETARY TO MOLEX ELECTRONIC TECHNOLOGIES, LLC AND SHOULD NOT BE USED WITHOUT WRITTEN PERMISSION										
	EC NO: 168078 DRWN: SH001 CHKD: SSSHAH REV / APPR: AROBERTSON	2017/08/15 2017/11/27 2017/11/27	GENERAL TOLERANCES (UNLESS SPECIFIED)		DIMENSION UNITS		SCALE				
				MM	INCH	INCH	NTS				
			4 PLACES	±	±	DRWN BY	DATE	SMPM PLUG EDGE MOUNT 50 OHMS, FULL DETENT SMPM-P/PCB, EWR-11427			
			3 PLACES	±	±	JLEE	2007/09/20				
			2 PLACES	±	±	CHK'D BY	DATE				
	1 PLACES	±	±	SSS	2007/09/20						
	0 PLACES	±	±	APPR BY	DATE	PRODUCT CUSTOMER DRAWING					
	ANGULAR TOL = 2.0		DRAWING SIZE		THIRD ANGLE PROJECTION						
	DRAFT WHERE APPLICABLE MUST REMAIN WITHIN DIMENSIONS		C				SERIES: 73300 MATERIAL NUMBER: SEE TABLE CUSTOMER:				
C3		DOCUMENT NUMBER: SD-73300-002		DOC TYPE: PSD		DOC PART: 001		SHEET NUMBER: 5 OF 5			