

SAC-5P-M12MS/ 2,0-802/M12FR - Sensor/actuator cable



1454545

<https://www.phoenixcontact.com/us/products/1454545>

Please be informed that the data shown in this PDF document is generated from our online catalog. Please find the complete data in the user documentation. Our general terms of use for downloads are valid.



Sensor/actuator cable, 5-position halogen-free, highly flexible, Plug straight M12, coding: A, on Socket angled M12, coding: A, cable length: 2 m

Commercial data

Item number	1454545
Packing unit	1 pc
Minimum order quantity	1 pc
Sales key	BF03
Product key	BF1CDA
GTIN	4046356578240
Weight per piece (including packing)	90 g
Weight per piece (excluding packing)	90 g
Customs tariff number	85444290
Country of origin	PL

SAC-5P-M12MS/ 2,0-802/M12FR - Sensor/actuator cable



1454545

<https://www.phoenixcontact.com/us/products/1454545>

Technical data

Product properties

Product type	Sensor/actuator cable
Number of positions	5
No. of cable outlets	1
Coding	A

Insulation characteristics

Overvoltage category	II
Degree of pollution	3

Material specifications

Flammability rating according to UL 94	HB
Seal material	NBR
Material of grip body	TPU, hardly inflammable, self-extinguishing
Contact material	CuSn
Contact surface material	Ni/Au
Contact carrier material	TPU GF
Material for screw connection	Zinc die-cast, nickel-plated

Electrical properties

Contact resistance	$\leq 5 \text{ m}\Omega$
Insulation resistance	$\geq 100 \text{ M}\Omega$
Nominal voltage U_N	48 V AC
	60 V DC
Nominal current I_N	4 A

Signaling

Status display	No
Status display present	No

Connector

Connection 1

Type	Plug straight M12
Number of positions	5
Coding type	A
Number of positions	5

Connection 2

Type	Socket angled M12
Number of positions	5
Coding type	A
Number of positions	5

SAC-5P-M12MS/ 2,0-802/M12FR - Sensor/actuator cable




1454545

<https://www.phoenixcontact.com/us/products/1454545>

Cable/line

Cable length	2 m
--------------	-----

PUR halogen-free highly flexible resistant to welding sparks gray 5th conductor green/yellow [802]

Dimensional drawing	
Note	Due to the extremely robust outer sheath, this cable should only be stripped in 5 cm increments.
UL AWM Style	20549
Number of positions	5
Shielded	no
Cable type	PUR halogen-free highly flexible resistant to welding sparks gray 5th conductor green/yellow [802]
Conductor structure signal line	42x 0.10 mm
AWG signal line	22
Conductor cross section	5x 0.34 mm ² (Signal line)
Wire diameter incl. insulation	1.3 mm ±0.05 mm (Signal line)
External cable diameter	5.1 mm ±0.2 mm
Outer sheath, material	PUR
External sheath, color	gray RAL 7001
Conductor material	Bare Cu litz wires
Material wire insulation	PP
Single wire, color	black, brown, blue, white, green/yellow
Overall twist	5 wires around filler to the core
Max. conductor resistance	approx. 53 Ω/km
Insulation resistance	≥ 20 MΩ*km
Nominal voltage, cable	300 V
Test voltage	1200 V
Minimum bending radius, fixed installation	5 x D
Minimum bending radius, flexible installation	5 x D
Max. bending cycles	10000000 15000000
Torsion force	± 360 °/m
Torsion cycles	1000000
Halogen-free	The cable is halogen-free
Flame resistance	in accordance with UL 758/1581 FT2
Resistance to oil	in accordance with DIN EN 60811-2-1
Other resistance	Highly resistant to acids, alkaline solutions and solvents

SAC-5P-M12MS/ 2,0-802/M12FR - Sensor/actuator cable



1454545

<https://www.phoenixcontact.com/us/products/1454545>

	Silicone-free
Special properties	Cable jacket is welding spark-resistant, recyclable, matt, low-adhesion, abrasion-resistant, flame-retardant, and self-extinguishing
	Free from silicone and cadmium
	Free of substances which would hinder coating with paint or varnish
Ambient temperature (operation)	-40 °C ... 80 °C (cable, fixed installation)
	-25 °C ... 80 °C (Cable, flexible installation)

Environmental and real-life conditions

Ambient conditions

Degree of protection	IP65
	IP67
	IP68
Ambient temperature (operation)	-25 °C ... 90 °C (Plug / socket)
	-40 °C ... 80 °C (cable, fixed installation)
	-5 °C ... 80 °C (Cable, flexible installation)

SAC-5P-M12MS/ 2,0-802/M12FR - Sensor/actuator cable



1454545

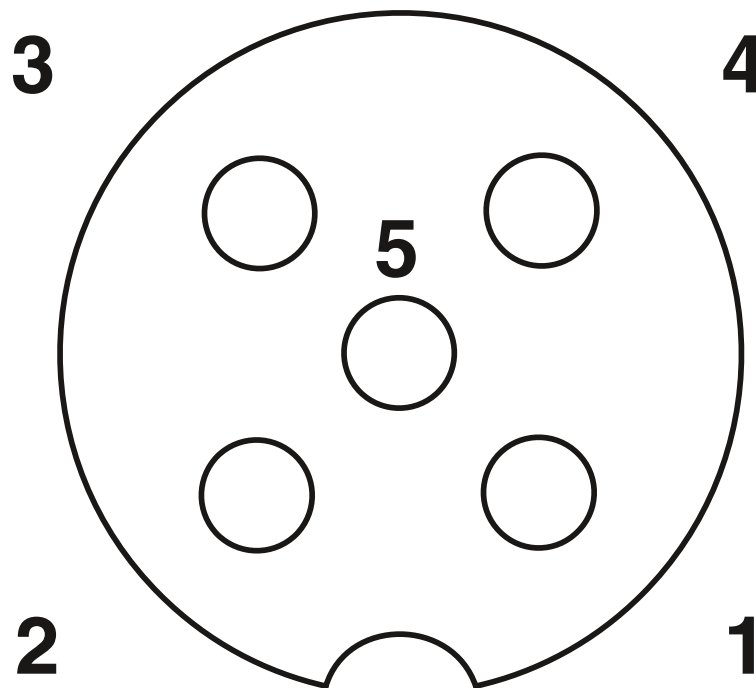
<https://www.phoenixcontact.com/us/products/1454545>

Drawings

Circuit diagram



Schematic diagram



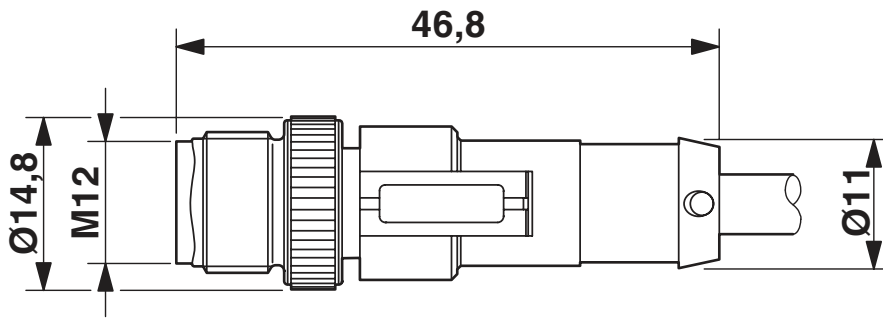
Pin assignment M12 socket, 5-pos., A-coded, socket side view

SAC-5P-M12MS/ 2,0-802/M12FR - Sensor/actuator cable

1454545

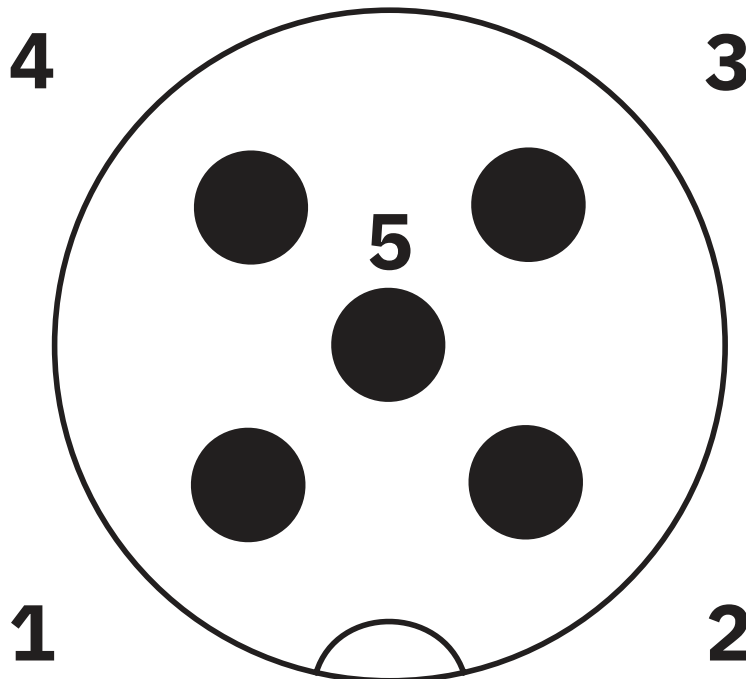
<https://www.phoenixcontact.com/us/products/1454545>

Dimensional drawing



Plug, M12 x 1, straight, shielded

Schematic diagram



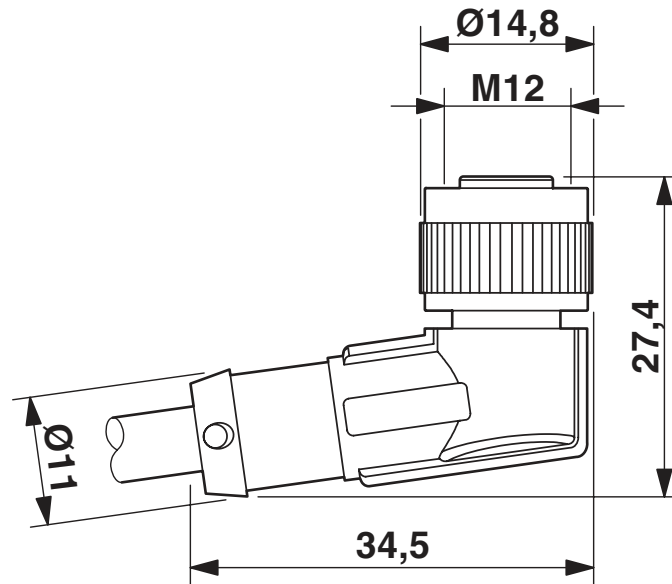
Pin assignment M12 male connector, 5-pos., A-coded, male side

SAC-5P-M12MS/ 2,0-802/M12FR - Sensor/actuator cable

1454545

<https://www.phoenixcontact.com/us/products/1454545>

Dimensional drawing



M12 x 1 socket, angled

SAC-5P-M12MS/ 2,0-802/M12FR - Sensor/actuator cable





1454545

<https://www.phoenixcontact.com/us/products/1454545>

Approvals

To download certificates, visit the product detail page: <https://www.phoenixcontact.com/us/products/1454545>

 UL Listed Approval ID: FILE E 221474				
	Nominal voltage U_N	Nominal current I_N	Cross section AWG	Cross section mm^2
	125 V	4 A	-	-

 cUL Listed Approval ID: FILE E 221474				
	Nominal voltage U_N	Nominal current I_N	Cross section AWG	Cross section mm^2
	125 V	4 A	-	-

 EAC-RoHS Approval ID: RU D-DE.HB35.B.00385	
---	--

cULus Listed

SAC-5P-M12MS/ 2,0-802/M12FR - Sensor/actuator cable



1454545

<https://www.phoenixcontact.com/us/products/1454545>

Classifications

ECLASS

ECLASS-11.0	27060311
ECLASS-12.0	27060311
ECLASS-13.0	27060311

ETIM

ETIM 8.0	EC001855
----------	----------

UNSPSC

UNSPSC 21.0	26121600
-------------	----------

SAC-5P-M12MS/ 2,0-802/M12FR - Sensor/actuator cable



1454545

<https://www.phoenixcontact.com/us/products/1454545>

Environmental product compliance

China RoHS	Environmentally friendly use period: unlimited = EFUP-e
	No hazardous substances above threshold values

Phoenix Contact 2023 © - all rights reserved
<https://www.phoenixcontact.com>

Phoenix Contact USA
586 Fulling Mill Road
Middletown, PA 17057, United States
(+717) 944-1300
info@phoenixcon.com