

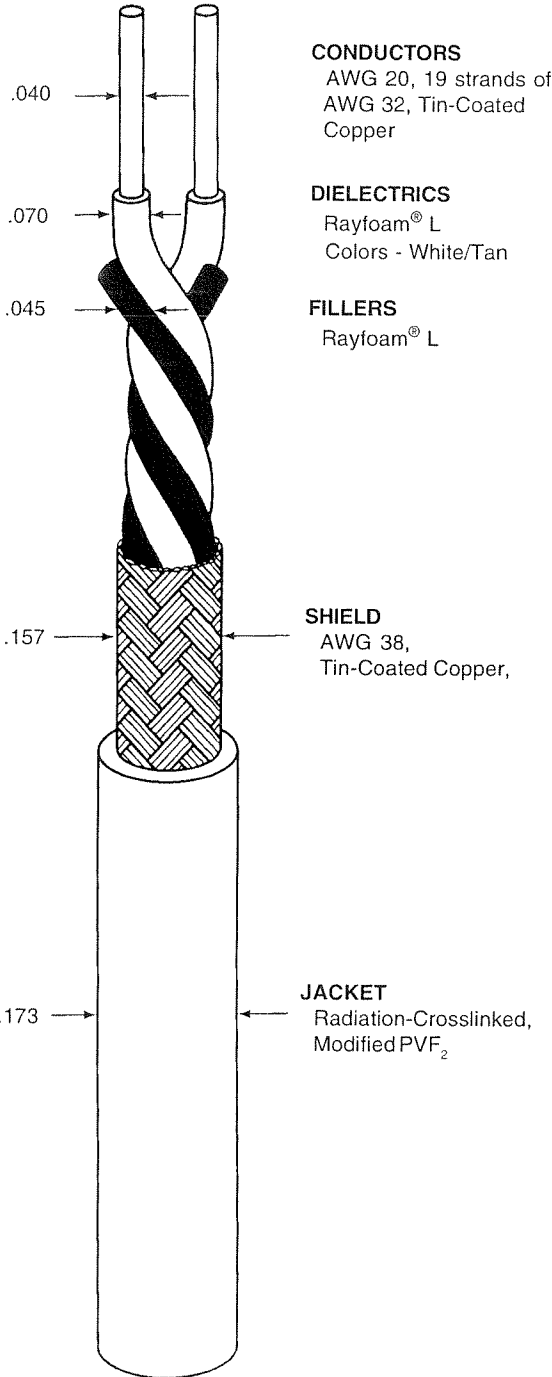
THIS SPECIFICATION SHEET FORMS A PART OF THE LATEST ISSUE OF RAYCHEM SPECIFICATION 1200.

**CONSTRUCTION DETAILS**

**ELECTRICAL CHARACTERISTICS**

DIMENSIONS ARE NOMINAL VALUES IN INCHES UNLESS OTHERWISE DESIGNATED.

CHARACTERISTIC IMPEDANCE	78 ± 8 ohms, Method C at 1 MHz
CAPACITANCE - MUTUAL	16.9 pF/ft. (nominal)
VELOCITY OF PROPAGATION	77% (nominal)



**CONDUCTORS**  
AWG 20, 19 strands of  
AWG 32, Tin-Coated  
Copper

**DIELECTRICS**  
Rayfoam® L  
Colors - White/Tan

**FILLERS**  
Rayfoam® L

**SHIELD**  
AWG 38,  
Tin-Coated Copper,

**JACKET**  
Radiation-Crosslinked,  
Modified PVF<sub>2</sub>

**ADDITIONAL REQUIREMENTS**

**ELECTRICAL**

CONDUCTOR RESISTANCE	9.5 ohms/1000 ft.(nominal)
INSULATION RESISTANCE	10,000 megohms (minimum) for 1000 ft.
JACKET FLAWS	
SPARK TEST	1.0 kV (rms)
IMPULSE TEST	6.0 kV (peak)
VOLTAGE WITHSTAND (DIELECTRIC)	1000 volts (rms) (minimum)

**ENVIRONMENTAL**

FLAMMABILITY	Method B
HEAT SHOCK	225°C
LOW TEMPERATURE- COLD BEND	-55°C/5.00 inch mandrel
VOLTAGE WITHSTAND (POST ENVIRONMENTAL)	1000 volts (rms), 1 minute

**PHYSICAL**

INSULATION (DIELECTRIC) (Prior to Cabling)	
ELONGATION	50% (minimum)
TENSILE STRENGTH	800 lbf/in <sup>2</sup> (minimum)
JACKET	
ELONGATION	200% (minimum)
TENSILE STRENGTH	4000 lbf/in <sup>2</sup> (minimum)
JACKET THICKNESS	.008 inch (nominal)
SHIELD COVERAGE	90% (minimum)

WEIGHT 21.9 lbs/1000 ft. (nominal)

Outer jacket color will be white (designated by a "-9" appended to the part number, e.g., 7820G0111-9) unless otherwise specified.

Designate outer jacket color with a dash number in accordance with MIL-STD-681.