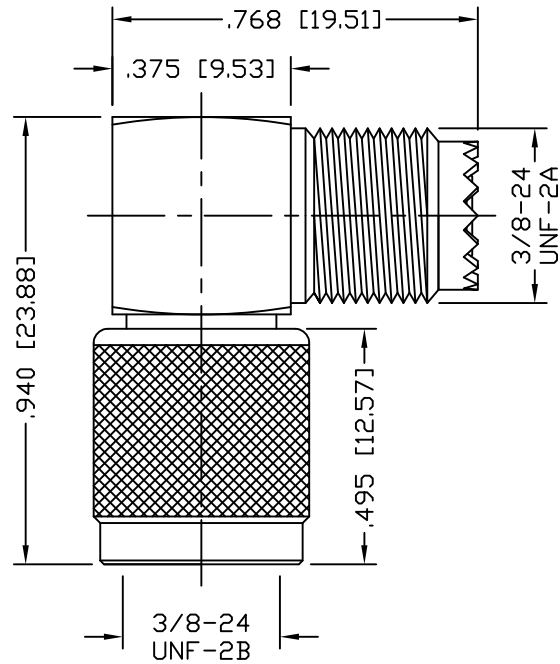


PART NO.		RFU-630-7		
REV	DESCRIPTION	DWN	DATE	APPROVED
-	ENGINEERING RELEASE	CZ	11/11/21	JDMc



SPECIFICATIONS:

IMPEDANCE: 50 Ohms
 VOLTAGE RATING: 335 VOLTS PEAK
 FREQUENCY RANGE: 0-2.5 GHz

#	DESCRIPTION	QTY	MATERIAL	FINISH
8	COUPLING NUT	1	BRASS	NICKEL
7	PRESS FIT WASHER	1	BRASS	NICKEL
6	PRESS FIT BODY	1	BRASS	NICKEL
5	RETAINING RING	1	BRASS	NATURAL
4	INSULATOR	1	PTFE	NATURAL
3	CONTACT	1	BRASS	GOLD
2	INSULATOR	1	PTFE	NATURAL
1	BODY	1	BRASS	NICKEL

CUSTOMER OUTLINE DRAWING	
ALL DIMENSIONS ARE REFERENCE ONLY	
UNLESS OTHERWISE SPECIFIED: DIMENSIONS ARE IN INCHES AND [MILLIMETERS]	
DRAWN C. ZUÑIGA	11/11/21
CHECKED	
ORJ DRAWN C. ZUÑIGA	11/11/21

RoHS COMPLIANT

PROPRIETARY AND CONFIDENTIAL

THIS DRAWING CONTAINS INFORMATION PROPRIETARY TO RF INDUSTRIES, ANY UNAUTHORIZED USE OF THIS DRAWING IS EXPRESSLY PROHIBITED WITHOUT WRITTEN PERMISSION FROM RF INDUSTRIES. ANY VIOLATION IS PUNISHABLE UNDER U.S. COPYRIGHT LAWS.

RFconnectors
 DIVISION OF RF INDUSTRIES, LTD. (858) 549-6345 FAX

RFINDUSTRIES.COM
 7610 MIRAMAR RD.
 SAN DIEGO, CA 92126
 (858) 549-6340

**MINI UHF MALE TO
 MINI UHF FEMALE RIGHT ANGLE**

DWG # **RFU-630-7**

CABLE GROUP N/A	CONTROL # 000000	SCALE NTS	FORMAT A	SHEET 1 OF 1	REVISION -
--------------------	---------------------	--------------	-------------	-----------------	---------------