



MADE IN THE USA

Accessories (each sold separately):

- Caddies MP-015 and MP-085
- Bowman Hangers HH004-0412, MB-450, MB-500, MB-510 and MB-600 (shown below)



Product Description:

- Protection System
- Holds gowns, aprons, or coveralls/jumpsuits, three boxes of gloves, one box of earloop masks, and one box of shield masks
- Keyholes for wall mounting or cutout for use with a BOWMAN® hanger
- Quartz Beige ABS Plastic

Primary Area for Product Usage:

- Anywhere protective equipment products are needed

Dispenses:

- Top: Box(es) no larger than 5.00"W x 10.00"H x 4.30"D (12.7 cm x 25.4 cm x 10.9 cm)
- Bottom left: Gowns, aprons or coveralls/jumpsuits no larger than 11.38"W x 15.30"H x 4.30"D (12.7 cm x 25.4 cm x 10.9 cm)
- Middle right: Box(es) no larger than 8.39"W x 5.24"H x 4.50"D (21.3 cm x 13.3 cm x 11.4 cm)
- Bottom right: Box(es) no larger than 8.39"W x 9.80"H x 4.50"D (21.3 cm x 24.9 cm x 11.4 cm)

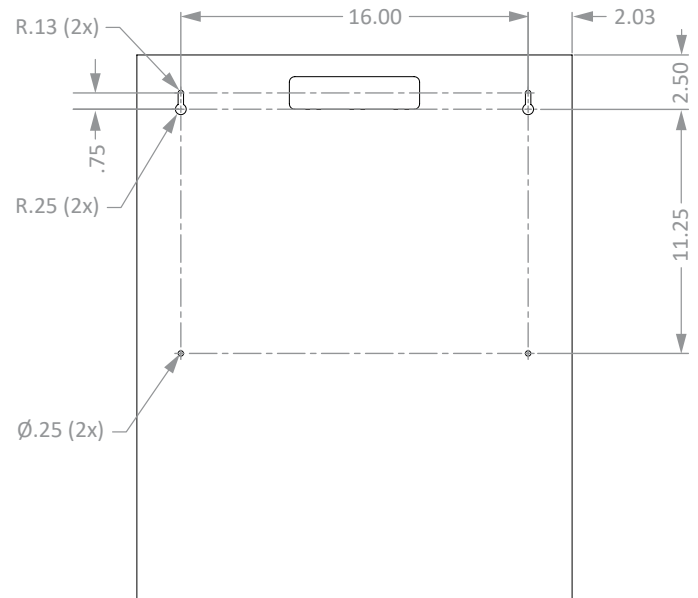
Package Specifications:

- Package Quantity: 1 per case
- 29"W x 6"H x 23"D (73.7 cm x 15.2 cm x 58.4 cm)
- 10.0 lbs (4.5 kg) - approximated

Product Specifications (overall external dimensions):

- 20.05"W x 25.25"H x 4.75"D (50.9 cm x 64.1 cm x 12.1 cm)
- 4.6 lbs (2.1 kg) - approximated

Mounting Specifications:

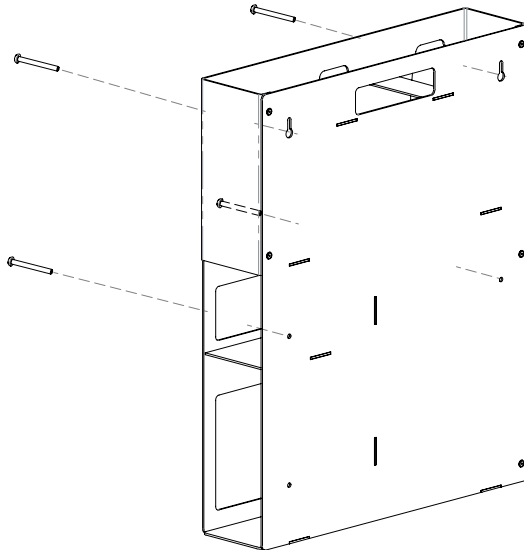




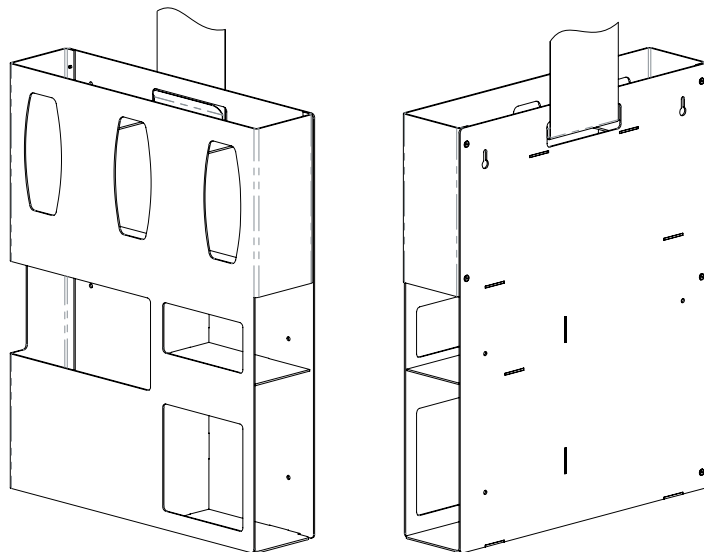
Installation

Always mount dispensers securely *prior* to loading with product.

- Mount securely to a wall with screws approved and supplied by building maintenance.



- Or hang on BOWMAN® hanger. (See chosen hanger's datasheet for details.)



Parts included:

- Dispenser

Tools Required:

- No tools required to assemble dispenser

Care and Construction

ABS Plastic

Material Characteristics

Designed for Long-Term, Heavy-Duty Applications

The combination of copolymers (Acrylonitrile, Butadiene, and Styrene) gives ABS an excellent combination of strength, rigidity, and toughness. The fauxwood finish is ARVINYL laminate created from a semi-rigid film.

ABS is chemical and stress-crack resistant. It is tough, dimensionally stable, and will hold up to long-term use. To ensure product longevity, fauxwood products should not be mounted in very hot or cold areas.

Care and Cleaning

Use mild soap and water to clean. Petroleum-based oils, solvents, and paints should not be used.

Standard hospital cleaning supplies are approved for use on our ABS plastic products.