

## HC-B 16-TMQ-76/M1PG29S

Order No.: 1775570

<http://eshop.phoenixcontact.de/phoenix/treeViewClick.do?UID=1775570>

Sleeve housing, with double locking latch, height 76 mm, with screw connection, 1x Pg29, lateral cable entry

### Commercial data

EAN	4017918105389
Pack	10 pcs.
Customs tariff	85389099
Weight/Piece	0.38146 KG
Catalog page information	Page 492 (PC-2009)

### Product notes

WEEE/RoHS-compliant since:  
03/01/2006



<http://www.download.phoenixcontact.com>  
Please note that the data given here has been taken from the online catalog. For comprehensive information and data, please refer to the user documentation. The General Terms and Conditions of Use apply to Internet downloads.

### Technical data

#### General data

Note	For contact inserts HC-B16, BB32, D40, DD72, HS6, M, K
Design	B16
Height	76 mm
Width	43 mm
Length	94 mm

Housing type	Sleeve housings
Locking type	With double locking latch
Type of the screw connection	1x Pg29
Pg screw connection	With
Wrench size, union nut	37 mm
Cable exit	Lateral
External cable diameter	18 mm ... 27 mm
Degree of protection	IP65
Ambient temperature (operation)	-40 °C ... 125 °C
Housing material	Aluminum, die-cast
Housing surface material	Powder-coated, gray
Cable gland material	Nickel-plated brass
Cable seal material	NBR
Locking latch material	High-grade steel, handle: PA-GF
Material grip body interlock	PA-GF

### Certificates / Approvals

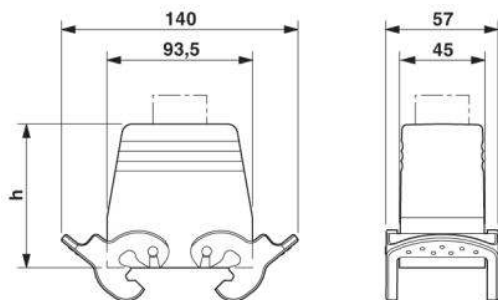


Certification

GOST

### Diagrams/Drawings

Dimensioned drawing



**Address**

PHOENIX CONTACT Inc., USA  
586 Fulling Mill Road  
Middletown, PA 17057, USA  
Phone (800) 888-7388  
Fax (717) 944-1625  
<http://www.phoenixcon.com>



© 2010 Phoenix Contact  
Technical modifications reserved;