

10 9 8 7 6 5 4 3 2 1

F

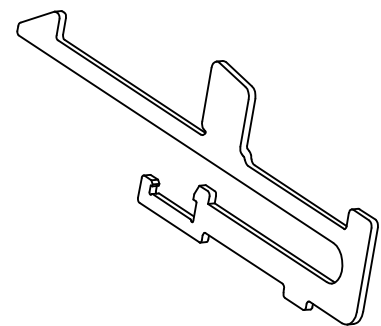
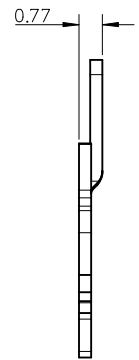
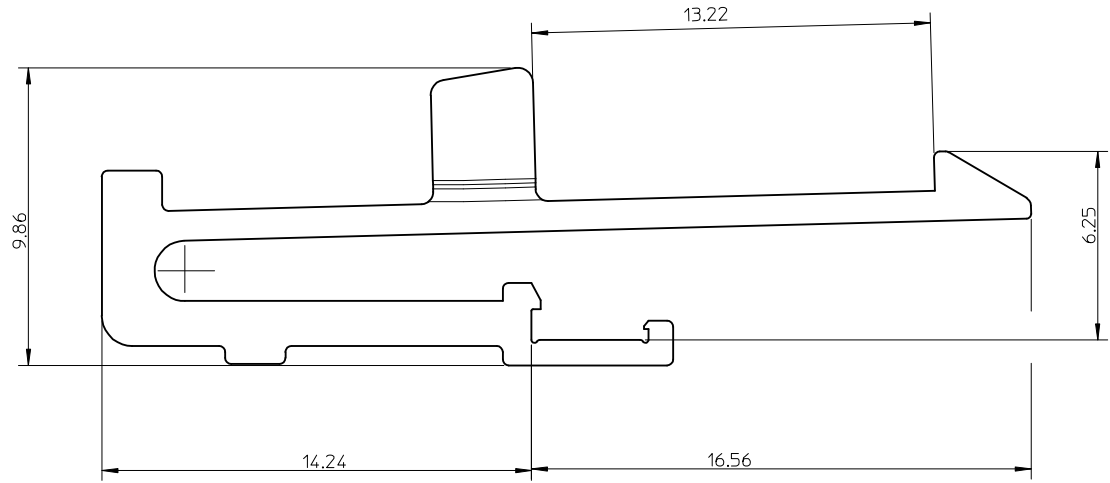
E

D

C

B

A



NOTES:  
 1.MATERIAL: STAINLESS STEEL, S301.  
 2.ULTRASONIC CLEANING

NEW RELEASE EC NO: SH2009-0333 DRW:HHH CH:KD APPR:HWANG	2008/12/03 2008/12/03 2008/12/18	QUALITY SYMBOLS ▽=0 ◻=0	GENERAL TOLERANCES (UNLESS SPECIFIED)		DIMENSION STYLE MM ONLY		SCALE 10:1	DESIGN UNITS METRIC	THIRD ANGLE PROJECTION	
			4 PLACES ± --- ± --- 3 PLACES ± --- ± --- 2 PLACES ± 0.15 ± --- 1 PLACE ± 0.20 ± ---	DRAWN BY QWFANG	DATE 2006/03/22	TITLE LATCH FOR DISPLAYPORT				
			ANGULAR ± 1 °	CHECKED BY RZHANG	DATE 2006/03/22	MOLEX INCORPORATED				
			DRAFT WHERE APPLICABLE MUST REMAIN WITHIN DIMENSIONS	APPROVED BY IWANG	DATE 2006/03/22	MATERIAL NO. 47271-1016	DOCUMENT NO. SD-47271-006	SHEET NO. 1 OF 2		

9 8 7 6 5 4 3 2 1

10 9 8 7 6 5 4 3 2 1

F

F

E

E

D

D

C

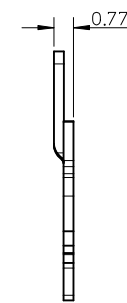
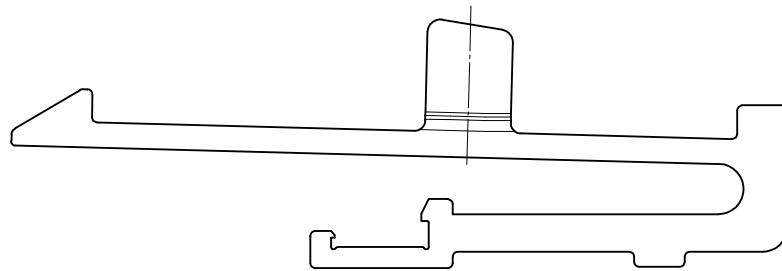
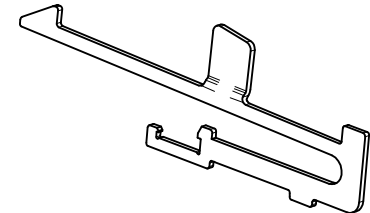
C

B

B

A

A



NOTES:  
UNSPECIFIED DIMENSIONS ARE SAME AS SHEET 1.

SEE SHEET1 EC NO: SH2009-0333 DRWN: HHE CHKD: APPR: HWANG 2008/12/03 2008/12/18	DESCRIPTION REV	QUALITY SYMBOLS ▽=0 ◻=0	GENERAL TOLERANCES (UNLESS SPECIFIED)		DIMENSION STYLE MM ONLY		SCALE 5:1	DESIGN UNITS METRIC	THIRD ANGLE PROJECTION			
			4 PLACES ± --- ± --- 3 PLACES ± --- ± --- 2 PLACES ± 0.15 ± --- 1 PLACE ± 0.20 ± ---	mm INCH ± --- ± --- ± 0.15 ± --- ± 0.20 ± ---	DRAWN BY QWFANG	DATE 2006/03/22	TITLE LATCH FOR DISPLAYPORT					
			ANGULAR ± 1 °	DRAFT WHERE APPLICABLE MUST REMAIN WITHIN DIMENSIONS		CHECKED BY RZHANG	DATE 2006/03/22	MOLEX INCORPORATED				
					MATERIAL NO. 47271-2016	APPROVED BY IWANG	DATE 2006/03/22	DOCUMENT NO. SD-47271-006	SHEET NO. 2 OF 2			

9 8 7 6 5 4 3 2 1