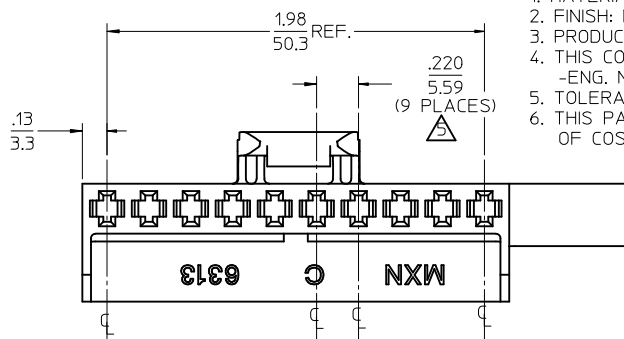


- NOTES:
1. MATERIAL: NYLON(PA66), UL94V-2, COLOR: SEE CHART
 2. FINISH: NONE
 3. PRODUCT SPECIFICATION: NONE
 4. THIS CONNECTOR HOUSING FOR USE WITH TERMINALS: -ENG. NO. 1508-0009
 5. TOLERANCE IS NOT ACCUMULATIVE.
 6. THIS PART CONFORMS TO CLASS B REQUIREMENTS OF COSMETIC SPECIFICATION PS-45499-002.



	MATERIAL NUMBER	ENGINEERING NUMBER	HOUSING COLOR
	006-02-1103	6313-3-10	NATURAL (WHITE/TRANSLUCENT)
OBSOLETE	006-02-1104	6313-3-10-RD	RED
	050-29-1555	6313-3-10-BU	BLUE

REVISE PS (NOTE #3) EC NO: UCP2011-3555 DRW: AELHAG 2011/05/16 CHK: JBELL 2011/05/16 APPR: FSMITH 2011/06/07	QUALITY SYMBOLS ▽=0 ▽=0	GENERAL TOLERANCES (UNLESS SPECIFIED)		DIMENSION STYLE IN/MM		SCALE 2:1	DESIGN UNITS INCH	THIRD ANGLE PROJECTION
		4 PLACES ± --- ± --- 3 PLACES ± --- ± .005 2 PLACES ± 0.13 ± .010 1 PLACE ± 0.25 ± ---	mm INCH	DRAWN BY AELHAG	DATE 2011/05/16	CHECKED BY JBELL	DATE 2011/05/16	HOUSING, CONNECTOR FOR MOTOR SWITCH APPLICATION
DRAFT WHERE APPLICABLE MUST REMAIN WITHIN DIMENSIONS	MATERIAL NO. SEE CHART	APPROVED BY DATE		MOLEX INCORPORATED		DOCUMENT NO. SD-6313-3-10	SHEET NO. 1 OF 1	THIS DRAWING CONTAINS INFORMATION THAT IS PROPRIETARY TO MOLEX INCORPORATED AND SHOULD NOT BE USED WITHOUT WRITTEN PERMISSION