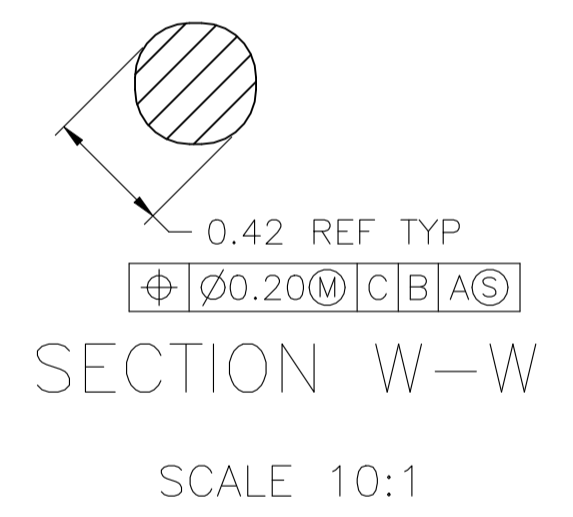
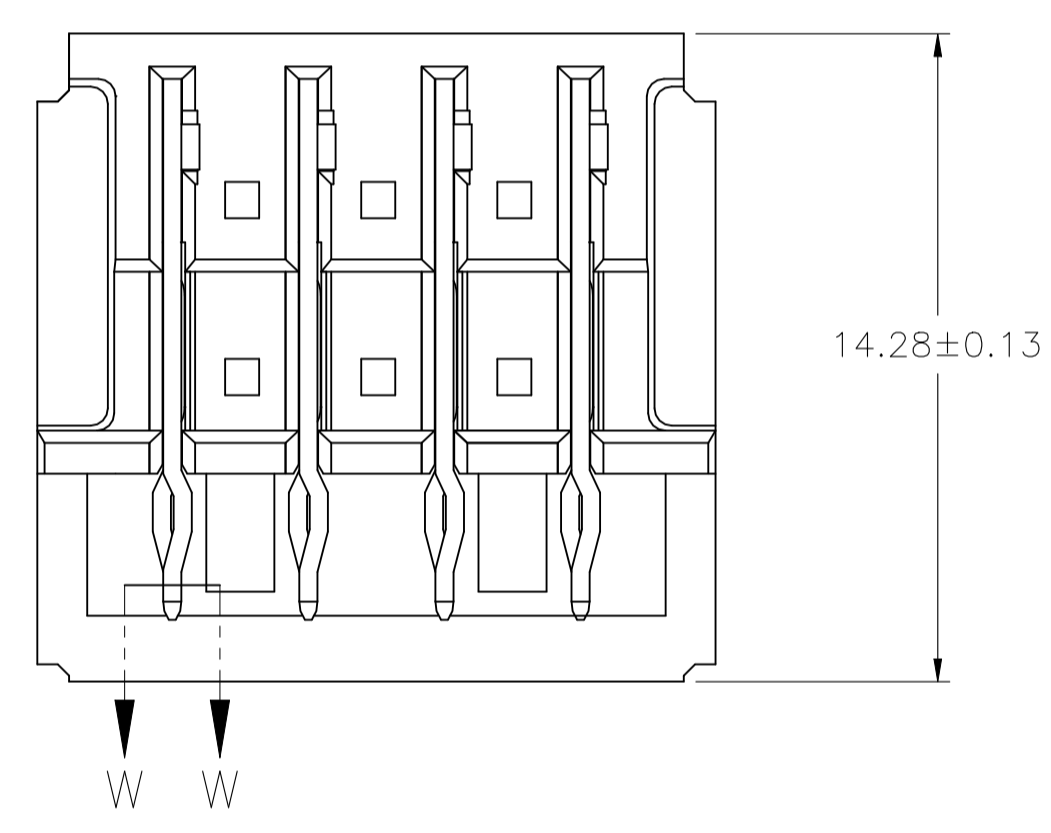
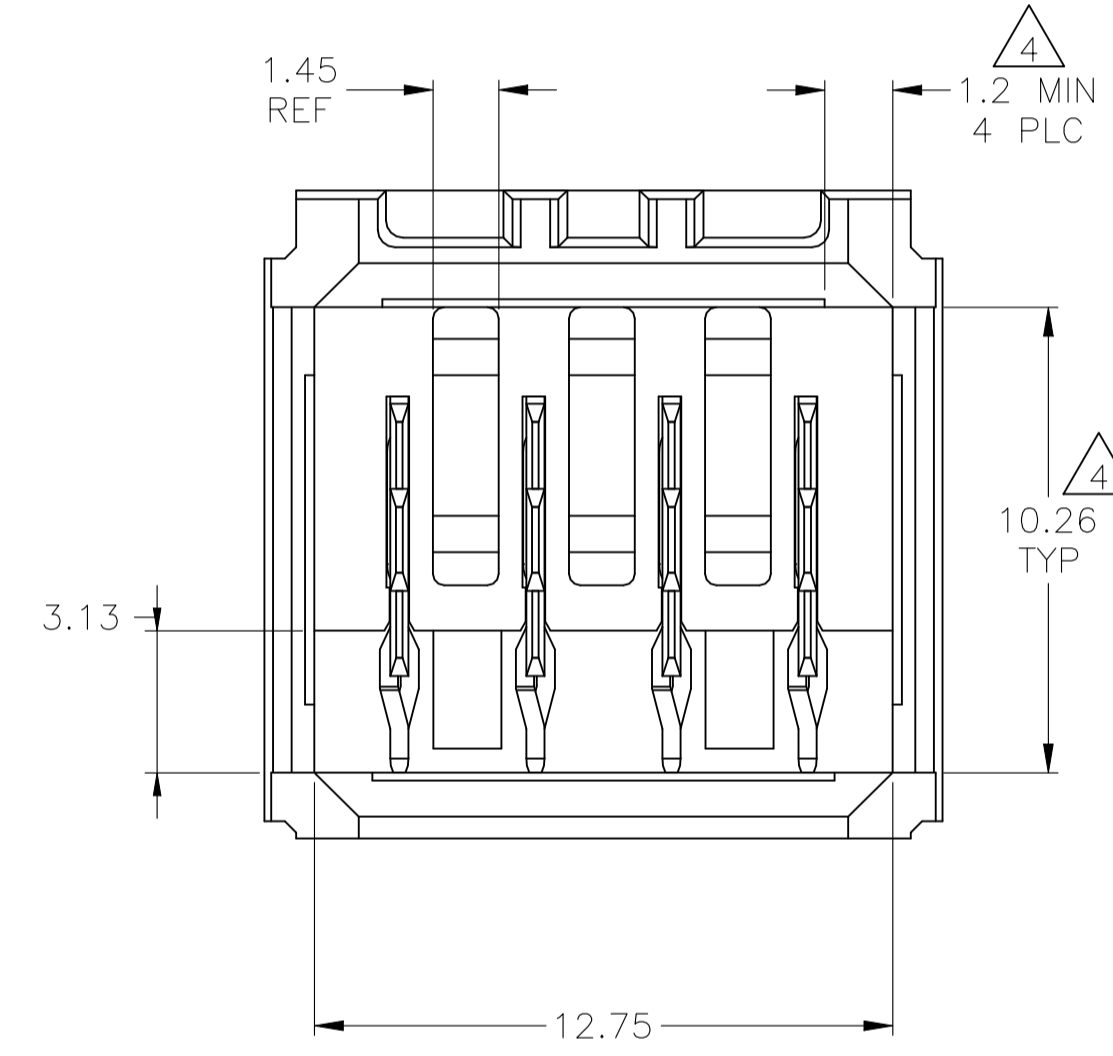
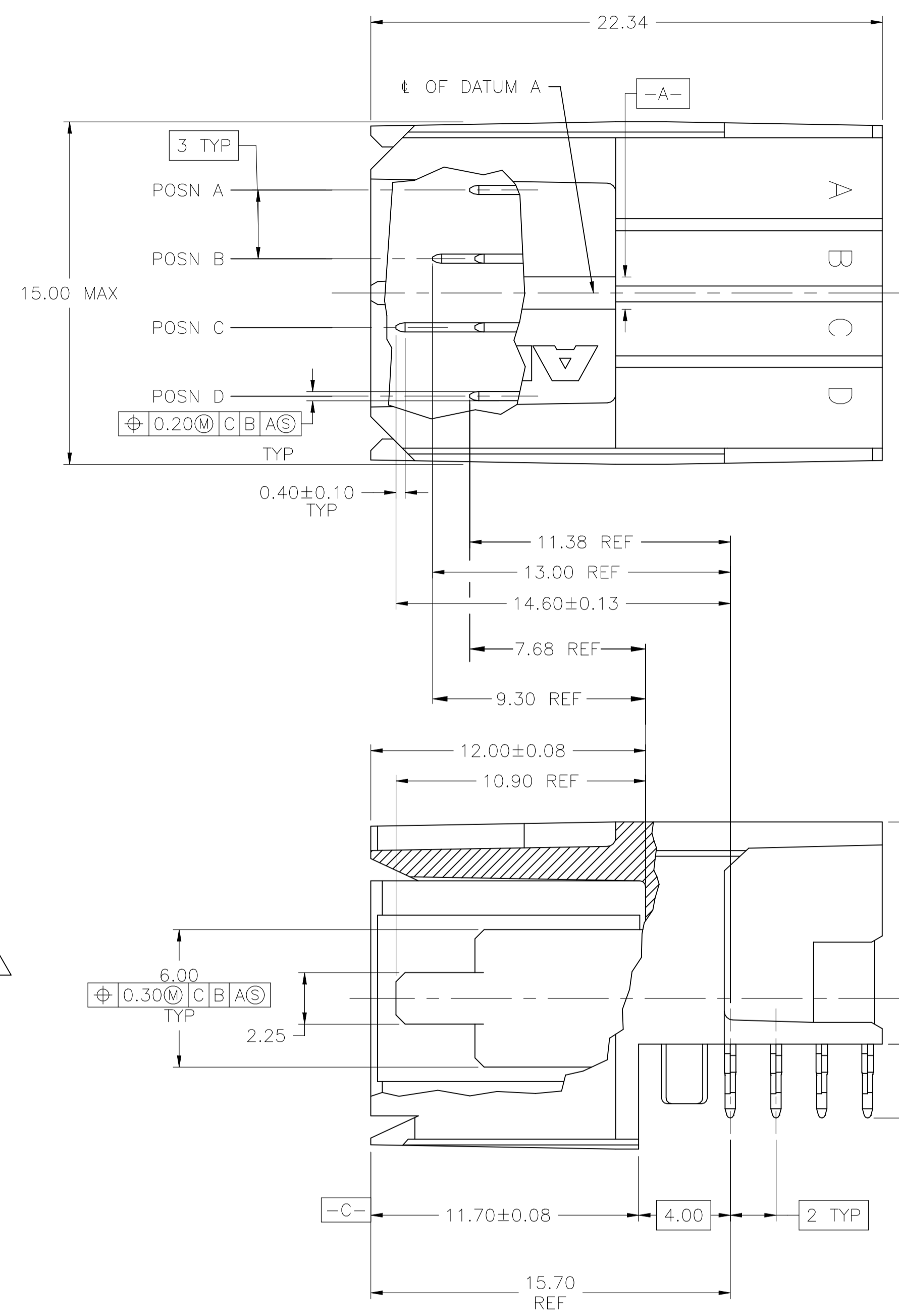
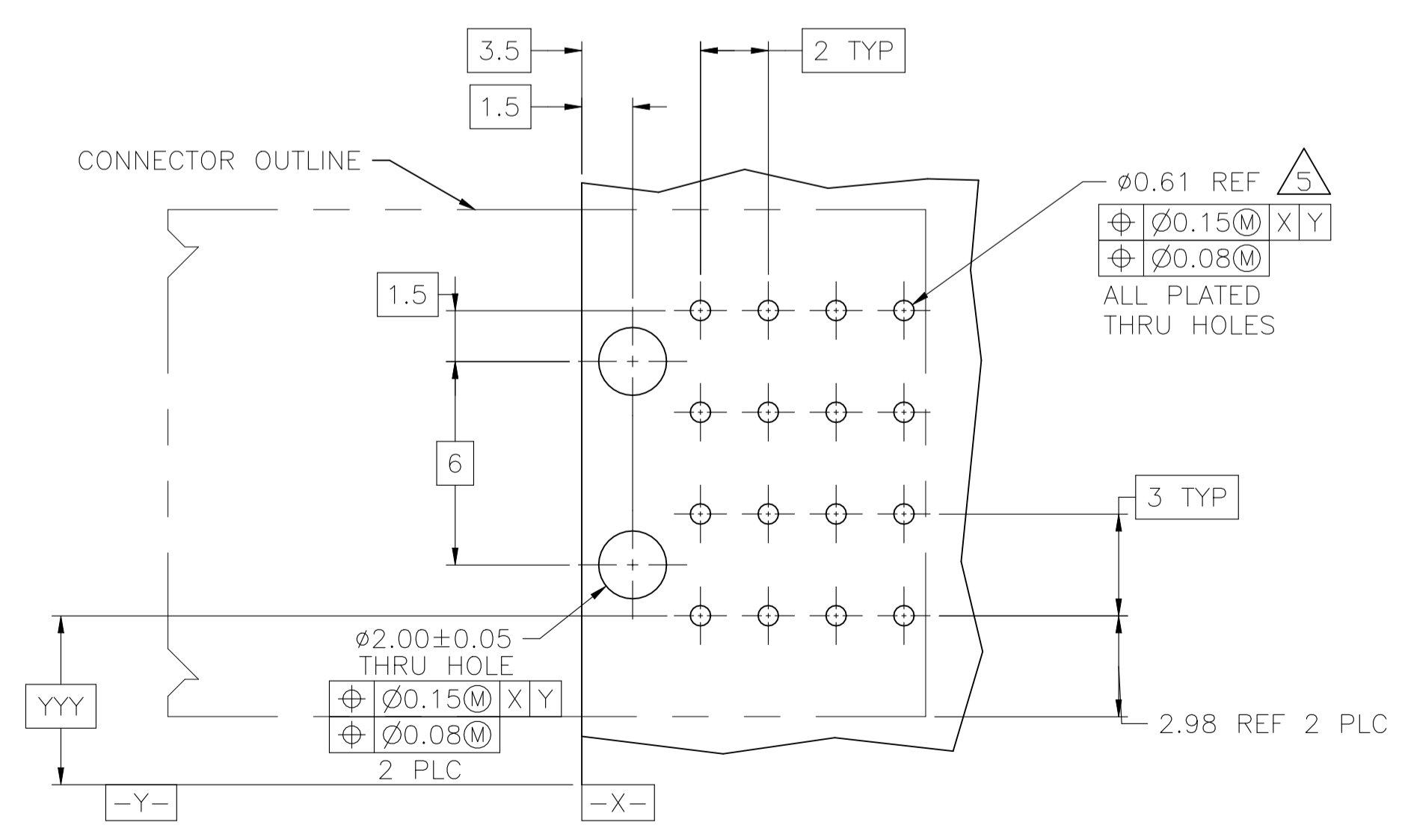


REVISIONS				
REV	DESCRIPTION	DATE	BY	APP'D
F2	ADDED NEW DASH NUMBER -7	08DEC2022	DP	SH



- 1 MATERIAL: HOUSING: POLYESTER, GRAY. UL 94V-0.
CONTACT: HIGH CURRENT COPPER ALLOY.
- 2 FINISH: IN ACCORDANCE WITH PRODUCT SPECIFICATION 108-1651.
GOLD PLATING OR EQUIVALENT PLATING ON PRODUCT CONTACT MATING AREA,
AND MATTE TIN PLATING ON COMPLIANT PIN AREA, ALL OVER MATTE NICKEL
UNDERPLATED. DETAIL PLEASE REFER TO PRODUCT SPECIFICATION 108-1651.
- 3 FINISH: CONTACT LUBRICATION WITH BELLCORE APPROVED
LUBRICANT. TECHNICAL REFERENCE: TR-NWT-001217
ISSUE 1, SEPT 1992.
- 4 THE 10.26±0.13 DIMENSION APPLIES IN THIS AREA.
- 5 REFERENCE APPLICATION SPEC 114-1103 FOR RECOMMENDED
PLATED THRU HOLE DIAMETER AND PLATING THICKNESSES.
- 6. CURRENT RATING 16A/CONTACT PER PRODUCT SPEC 108-1651.
- 7 MATERIAL: HOUSING: POLYESTER, BLACK. UL 94V-0.
CONTACT: HIGH CURRENT COPPER ALLOY.



RECOMMENDED PCB HOLE LAYOUT

POSITIONS LOADED WITH 10.90 REF CONTACTS	POSITIONS LOADED WITH 9.30 REF CONTACTS	POSITIONS LOADED WITH 7.68 REF CONTACTS	NO OF LOADED POSITIONS	PART NUMBER
-	A,D	B,C	4	120954-7
-	C,D	A,B	4	120954-6
A,B	C,D	-	4	120954-5
A,D	-	B,C	4	120954-4
-	A,D	B,C	4	120954-3
A	B	C,D	4	120954-2
A,B,C,D	-	-	4	120954-1

THIS DRAWING IS A CONTROLLED DOCUMENT.

DIMENSIONS:	TOLERANCES UNLESS OTHERWISE SPECIFIED:	DIN	R. CARBO	08OCT04
mm	0. PLC ± -	CHK	R. PATTERSON	08OCT04
	1. PLC ± 0.13	APP'D	R. PATTERSON	08OCT04
	2. PLC ± 0.13	NAME		
	3. PLC ± -	PRODUCT SPEC	108-1651	
	4. PLC ± -	APPLICATION SPEC	114-1103	
	ANGLES ± -	SIZE	A1	
MATERIAL	FINISH	WEIGHT	0.000000	
		CAGE CODE	00779	
		DRAWING NO	120954	
		CUSTOMER DRAWING		

STE TE Connectivity

ASSEMBLY, RIGHT ANGLE HEADER HC
W/ RETENTION PEGS,
UNIVERSAL POWER MODULE

SCALE 6:1 SHEET 1 of 1 REV F2