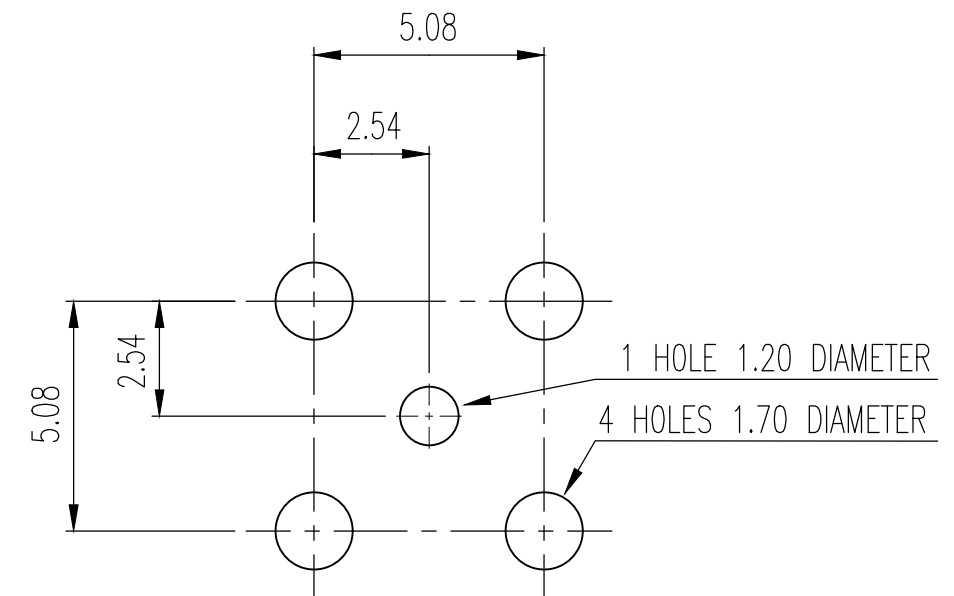
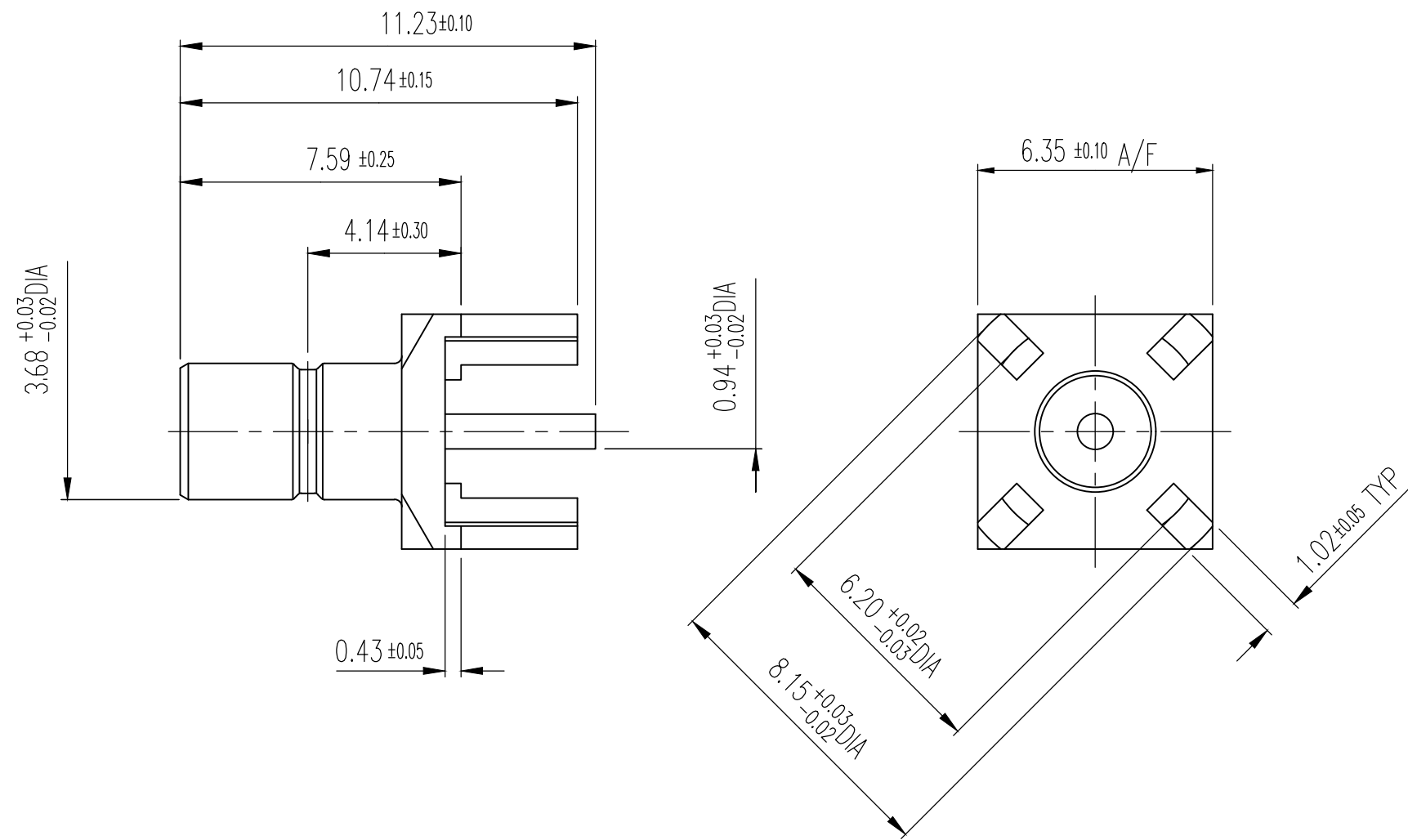


REVISIONS					
P	LTR	DESCRIPTION	DATE	DWN	APVD
	A1	REVISED PER ECR-20-010667	28JUL2020	ED	RS



ELECTRICAL	MECHANICAL	ENVIRONMENTAL	BODY	MATERIAL	FINISH
Nominal Impedance (Ohms) <u>50</u>	Interface Dimensions <u>CECC 22 130</u>	TEMPERATURE RATING <u>-55°C TO +155°C</u>	MALE CONTACT	BRASS	GOLD
Frequency Range (GHz) <u>DC to 4.0</u>	Recommended Mating		INSULATOR	BRASS	GOLD
Volt Rating (VRMS MAX) @ Sea Level <u>350</u>	Torque <u>N/A</u>			PTFE	N/A
carona, 70,000Ft (VMRS MIN)	Force to Engage and Disengage (Newtons MAX) <u>60</u>		COMPONENT MATERIAL FINISH		
Dielectric Withstanding Voltage (VRMS MIN) @ Sea Level <u>1,000</u>	Center Contact Captivation				
Contact Resistance (Milliohms MAX) Center Contact <u>5.0</u>	Axial (N)	CABLE ENTRY DIAMETER MINIMUM			
Outer Contact <u>2.5</u>	Radial (Nm) <u>N/A</u>				
cable to Housing	Cable Retention				
I.R.(Megohms MIN) <u>1,000</u>	Axial Force (N) <u>N/A</u>				
	Torque (Nm) <u>N/A</u>				
	Weight (Grams) <u>TBD</u>				

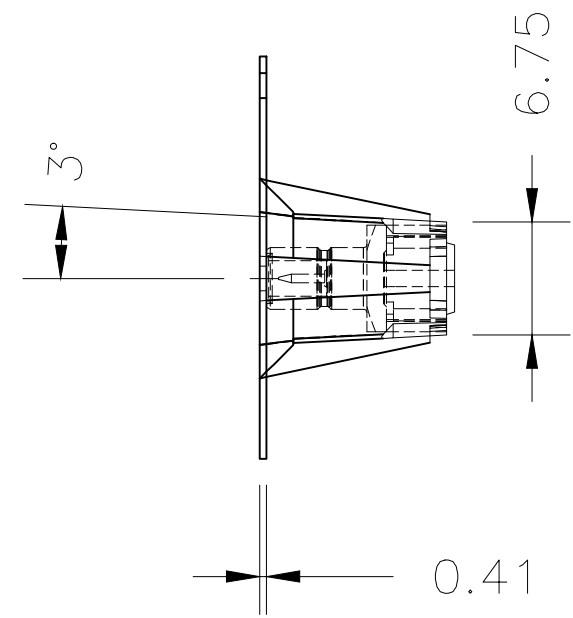
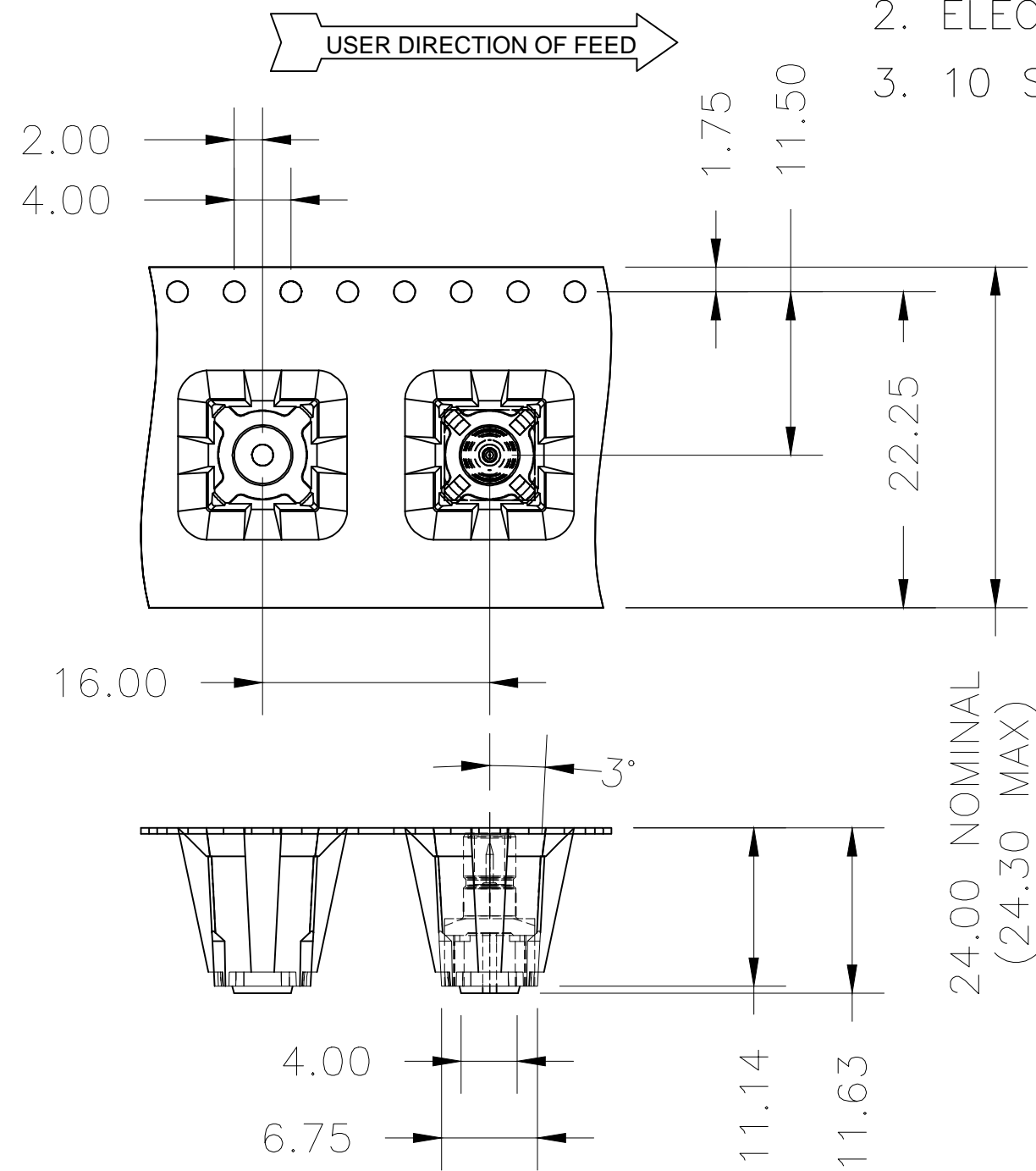
TAPE AND REEL	1310851-3
BULK	1310851-1
PACKAGING	PART NO

THIS DRAWING IS A CONTROLLED DOCUMENT.

DIMENSIONS: mm	TOLERANCES UNLESS OTHERWISE SPECIFIED:	DWN RAGHAVENDRA 05JAN2010	TE Connectivity SMB PCB JACK RECEPTACLE
	0 PLC ± -	CHK KEVIN WEIDNER 05JAN2010	
	1 PLC ± -	APVD KEVIN WEIDNER -	
	2 PLC ± 0.13	PRODUCT SPEC -	
	3 PLC ± -	APPLICATION SPEC -	NAME -
	4 PLC ± -	WEIGHT 0.000000	SIZE A3
	ANGLES ± 1°	CUSTOMER DRAWING	CAGE CODE 26805
MATERIAL -	FINISH -	SCALE 6:1	DRAWING NO C-1310851
		SHEET 1 OF 2	RESTRICTED TO -
		REV A1	

REVISIONS					
P	LTR	DESCRIPTION	DATE	DWN	APVD
-	-	SEE SHEET 1	-	-	-

- ① THE DETAIL SPEC OF TAPE AND REEL PACKAGING FOR 1310851-3
- 2. ELECTROSTATIC PROTECTIVE PER SPECIFICATION 115-59.
- 3. 10 SPROCKET HOLE PITCH CUMULATIVE TOLERANCE ±0.2mm



24.00 NOMINAL
(24.30 MAX)

THIS DRAWING IS A CONTROLLED DOCUMENT.

DIMENSIONS: mm	TOLERANCES UNLESS OTHERWISE SPECIFIED:
	0 PLC ± -
	1 PLC ± -
	2 PLC ± 0.15
	3 PLC ± -
	4 PLC ± -
	ANGLES ± 1°

MATERIAL - FINISH -

DWN	05JAN2010
RAGHAVENDRA	
CHK	05JAN2010
KEVIN WEIDNER	
APVD	
KEVIN WEIDNER	
PRODUCT SPEC	
APPLICATION SPEC	
WEIGHT	0.000000



NAME				SMB PCB JACK RECEPTACLE	
SIZE	CAGE CODE	DRAWING NO	RESTRICTED TO		
A3	26805	C-1310851	-		
CUSTOMER DRAWING		SCALE	SHEET	REV	
		6:1	2 OF 2	A1	