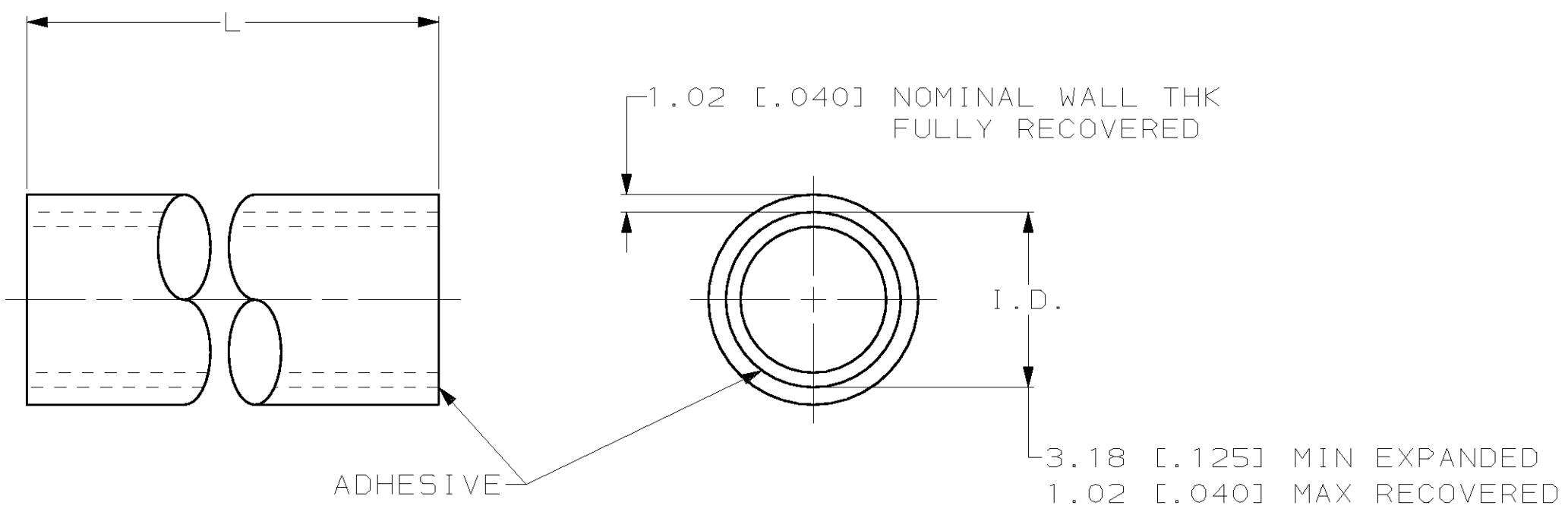


THIS DRAWING IS UNPUBLISHED. RELEASED FOR PUBLICATION ,19 .
 © COPYRIGHT 19 BY AMP INCORPORATED. ALL RIGHTS RESERVED.

LOC	DIST	REVISIONS			
P	LTR	DESCRIPTION	DATE	DWN	APVD
CM	53	J	REVISED PER EC 061Z-0004-99	14-JAN-02	KW DC



- MATERIAL: TUBING- BLACK POLYOLEFIN, HEAT SHRINKABLE, TYPE DWP31, FLAME RETARDANT MEETS UL 224 ALL TUBING.
 - ADHESIVE APPLIED TO THE ENTIRE INSIDE DIAMETER OF TUBING.
- 3 KIT CONSIST OF 10 PIECES, 304.8±6.4 [12.0±.25] LONG, PACKAGED IN POLY BAG.

101.6±2.0	4.00±.08	1-603316-4
1219.2 ^{+25.4} ₀	48.00 ^{+1.00} ₀	603316-4
	3	603316-3
mm	IN	PART NUMBER
L		

METRIC

THIS DRAWING IS A CONTROLLED DOCUMENT.		DWN K. WHITAKER 14-JAN-2002	AMP Incorporated Harrisburg, PA 17105-3608	
DIMENSIONS: mm [INCHES]	TOLERANCES UNLESS OTHERWISE SPECIFIED:	CHK D. COLEY 14-JAN-2002	NAME AMPSULATION DWP31 HEAT SHRINK TUBING 1/8 IN EXPANDED I.D. - WITH ADHESIVE	
	0 PLC ±- 1 PLC ±- 2 PLC ±0.5[.02] 3 PLC ±0.13[.005] 4 PLC ±- ANGLES ±-	APVD D. COLEY 14-JAN-2002	PRODUCT SPEC -	SIZE A3
MATERIAL BLACK POLYOLEFIN, (SEE NOTE 1)	FINISH -	APPLICATION SPEC -	WEIGHT PER LINEAR FOOT 2.256 [0.0050 Lb]	CAGE CODE 00779
		CUSTOMER DRAWING	DRAWING NO C- 603316	RESTRICTED TO -
		SCALE NTS	SHEET 1 OF 1	REV J