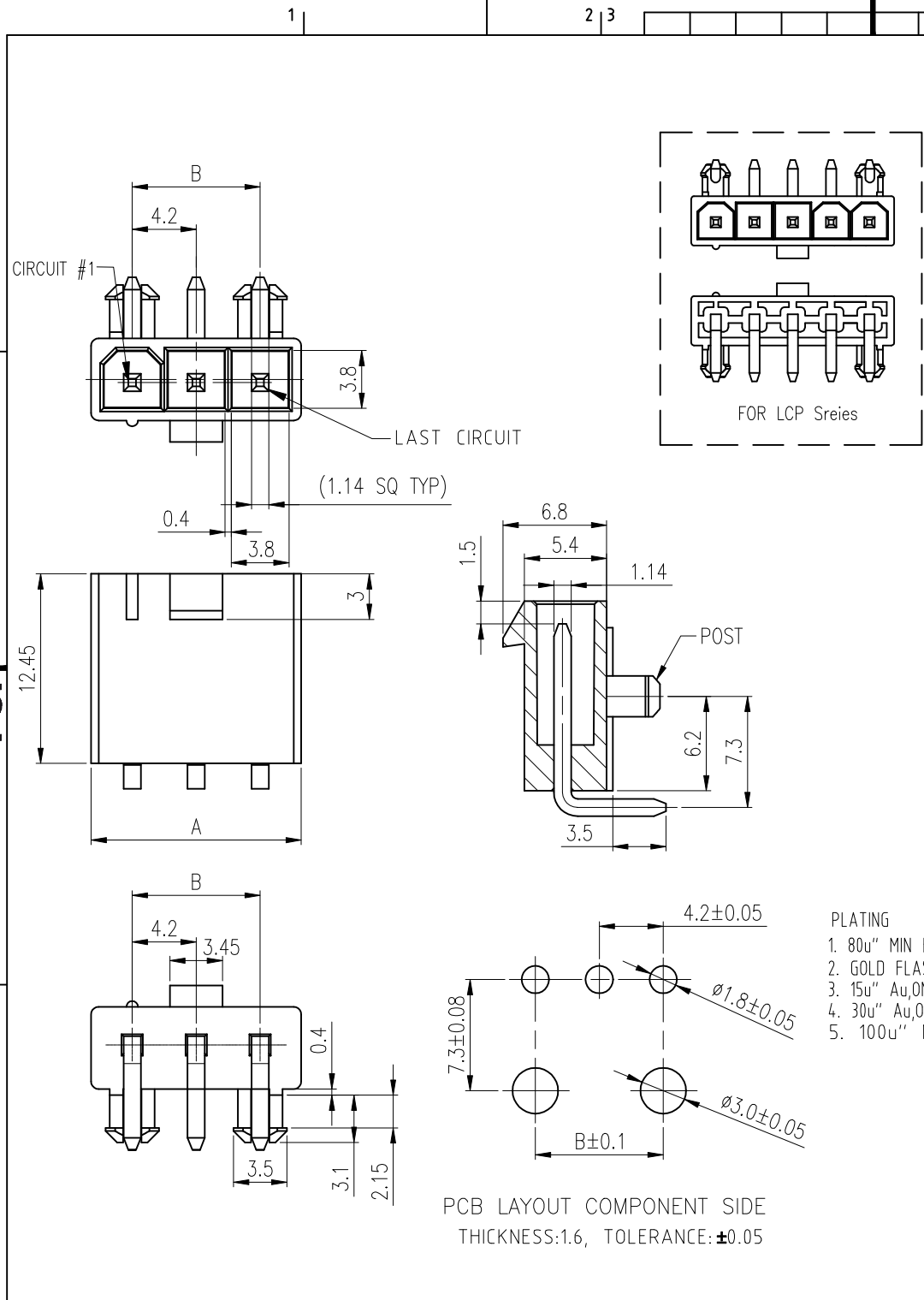


Amphenol FCI

© 2016 AFCI



- NOTES:
- HOUSING: MATERIAL:-SEE PART NO. SCHEME,UL94V0,HALOGEN FREE. COLOUR:-SEE PART NO. SCHEME.
 - CONTACT: MATERIAL: COPPER ALLOY. PLATING: 50u" SEMI BRIGHT Ni OVERALL UNDER PLATED. OPTIONAL PLATING ON CONTACT AREA.
 - REFER GS-20-0401 APPLICATION SPACE FOR MATING CONNECTOR.
 - PRODUCT SPECIFICATION: GS-12-1181..
 - PACKAGE SPECIFICATION: GS-14-2362.
 - APPLICATION SPECIFICATION: GS-20-0401
 - THE HOUSING WILL WITHSTAND EXPOSURE TO 260°C PEAK TEMPERATURE FOR 5 SECONDS IN A WAVE SOLDER APPLICATION WITH A 1.6mm MINIMUM THICK CIRCUIT BOARD. (FOR NYLON)
 - THE HOUSING WILL WITHSTAND EXPOSURE TO 260°C PEAK TEMPERATURE FOR 10 SECONDS IN A REFLOW OVEN. (FOR LCP ONLY)
 - THIS LF PRODUCT MEETS EUROPEAN UNION DIRECTIVES AND OTHER COUNTRY REGULATIONS AS DESCRIBED IN GS-47-0004.
 - DIMENSION TABLE

PART NUMBER	POS	A	B	COMMENT
10136646-02XXXXLF	02	9.60	4.2	NOT TOOLED
10136646-03XXXXLF	03	13.8	8.4	TOOLED
10136646-04XXXXLF	04	18.0	12.6	TOOLED
10136646-05XXXXLF	05	22.2	16.8	TOOLED
10136646-06XXXXLF	06	26.4	21.0	NOT TOOLED

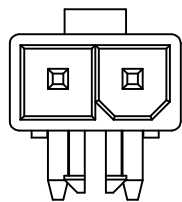
PART NUMBER SCHEME:
10136646- XX X X X X LF

NO OF POS. _____
02: 2 POS.
06: 6 POS.
S1: 5 POS SELECTIVE LOADING.

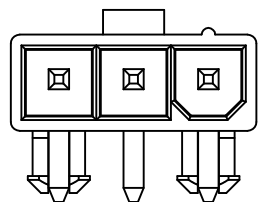
_____ LEAD FREE
_____ POST
_____ BLANK. WITH POST
_____ 1. WITHOUT POST
_____ HSG MATERIAL
_____ 1. NYLON GLOW WIRE COMPATIBLE
_____ 2. NYLON, NON GLOW WIRE COMPATIBLE
_____ 3. LCP, GLOW WIRE COMPATIBLE
_____ 4. LCP, NON GLOW WIRE COMPATIBLE
_____ HSG COLOR
_____ 1. NATURAL
_____ 2. BLACK (NOT AVAILABLE FOR HSG MATERIAL OPTION1)

- PLATING
- 80u" MIN BRIGHT TIN OVERALL
 - GOLD FLASH OVERALL
 - 15u" Au,ON CONTACT AREA & 100u" MIN BRIGHT TIN ON SOLDER TAILS
 - 30u" Au,ON CONTACT AREA & 100u" MIN BRIGHT TIN ON SOLDER TAILS
 - 100u" MIN MATTE TIN OVERALL

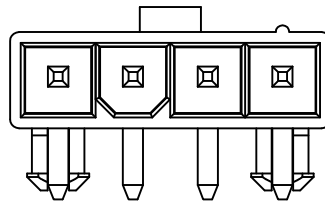
mat'l. code		surface		tolerance		projection	product family	
		ISO 1302	ISO 406	ISO 406	ISO 1101		MINITEK PWR4.2	
ltr	ecn no	dr	date	tolerances unless otherwise specified			title	
A		TAI	2015-08-21	angles	.0±.30		SINGLE ROW TH R/A HEADER	
B	ELX-T-25071	TAI	2016-10-03	linear	.00±.20		MINITEK PWR 4.2	
C	ELX-N-29011	TONY	2018-01-11	0°±3'	.000±.10	scale N.T.S	dwg no	
D	ELX-N-30080	TONY	2018-05-04	dr	KENNY TAI	2015-08-21	sheet 1 of 2	
E	ELX-I-43510	SONY	2023-01-09	engr	SONY	2023-01-09	size	
				chr	SONY	2023-01-09	10136646	
				appd	MITHUN	2023-01-09	A3	
sheet index		revision sheet	E E			type		Product Customer Drawing
		1 2						



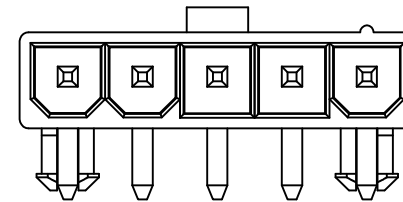
2 POS



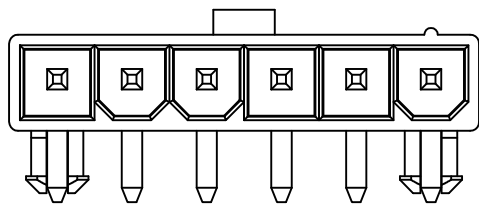
3 POS



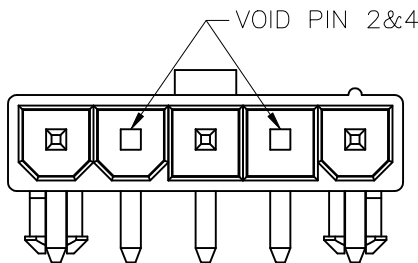
4 POS



5 POS

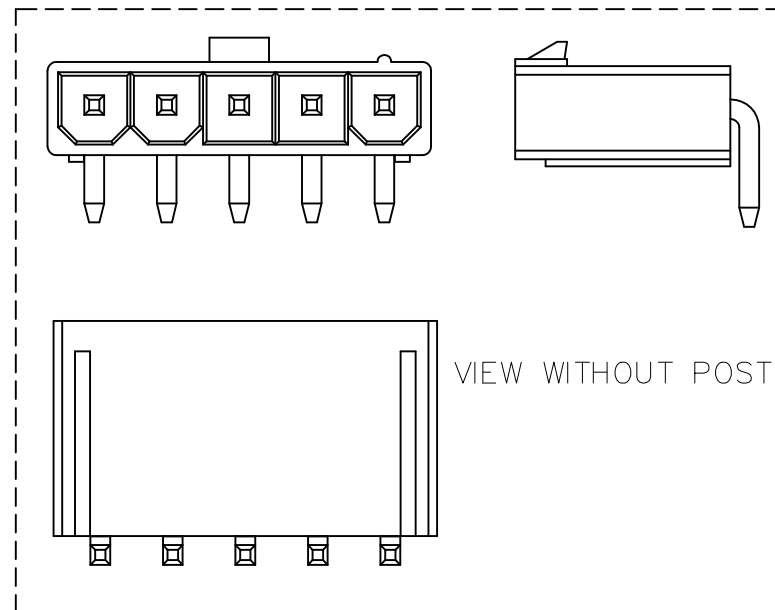


6 POS

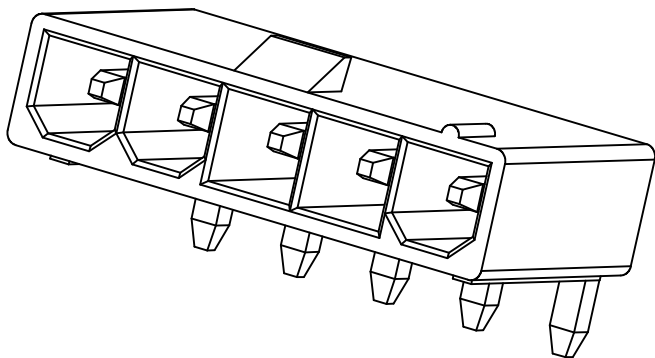


5 POS WITH SELECTIVE LOADING

VOID PIN 2&4



VIEW WITHOUT POST



Amphenol FCI

© 2016 AFCE

mat'l. code		surface ISO 1302 ✓		tolerance ISO 406 ISO 1101		projection mm		product family MINITEK PWR4.2	
ltr		ecn no		dr		date		title	
								SINGLE ROW TH R/A HEADER MINITEK PWR 4.2	
								dwg no	
								sheet 2 of 2	
								size A3	
								type Product Customer Drawing	
sheet index		revision sheet		E 1		E 2			

