

- 1
- 2
- 3
- 4
- 5
- 6
- 7
- 8
- 9
- 10
- 11
- 12
- 13
- 14
- 15
- 16
- 17
- 18

**BASE**

Glass-fibre reinforced polyamide based (PA) technopolymer, black colour, matte finish.

**ARTICULATED STEM AND BUILT-IN REGULATION KNOB**

Threaded zinc-plated steel stem. Regulation knob in technopolymer type ELK.  
Black-oxide steel washer and retaining screw (M4x10).

**STANDARD EXECUTIONS**

- **LV.A-ELK:** without no-slip disk.
- **LV.A-AS-ELK:** with NBR rubber no-slip disk, hardness 70 Shore A, supplied assembled to the base.

**FEATURES**

The special knurling under the lower lip of the base provides excellent stability and grip when using the levelling element without no-slip disk even on surfaces that are not perfectly flat.  
The particular assembling system of the no-slip disk to the base assures a perfect anchoring, preventing separation even in case of impact during transport or of adhesion (sticking) to the floor (see No-slip disks on page 835).  
ELK: built-in regulation knob enables the operator to adjust manually the stem without the use of tools.  
The components of the levelling elements (base and stem) are supplied already unassembled.

**NOTE**

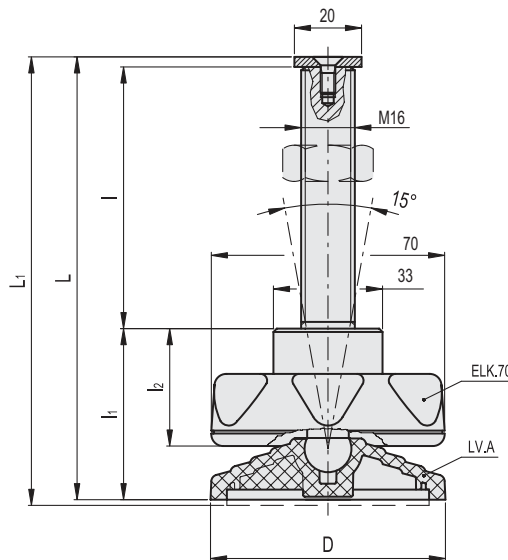
The threaded stem with built-in knob SM-14-M16x78-ELK (code 302581) can be assembled on other bases with hole for articulation with diameter 14. See table codes Bases (on page 838).

**ACCESSORIES ON REQUEST**

Zinc-plated steel nut (see Nuts NT. on page 835).



ELESA Original design



Conversion Table	
1 mm = 0,039 inch	
D	
mm	inch
70	2.76
80	3.15

**LV.A-ELK**

**LV.A-AS-ELK**

Code	Description	Code	Description	D	L	L1#	I	I1	I2	Articulation Ø	Max. limit static load* [N]	⚖️	⚖️ #
304118	LV.A-70-14-M16x78-ELK	308118	LV.A-70-14-AS-M16x78-ELK	70	132	135	78	51	35	14	14000	332	352
304581	LV.A-80-14-M16x78-ELK	308581	LV.A-80-14-AS-M16x78-ELK	80	137	140	78	56	35	14	14000	330	356

\* The max static load is the value above which the load applied to the element may cause some plastic material breakage, in particular conditions of use. Obviously, a factor that takes into consideration the importance and the safety level of the specific application must be applied to this value.

# Data with no-slip disk mounted.