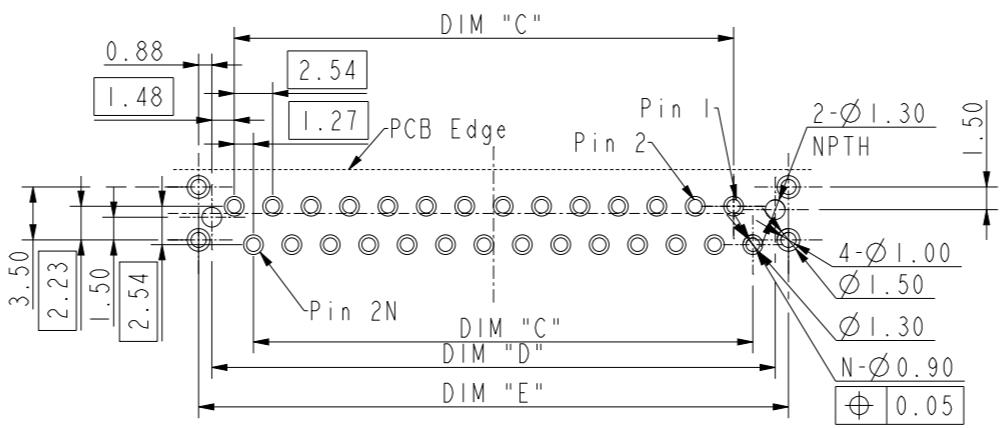
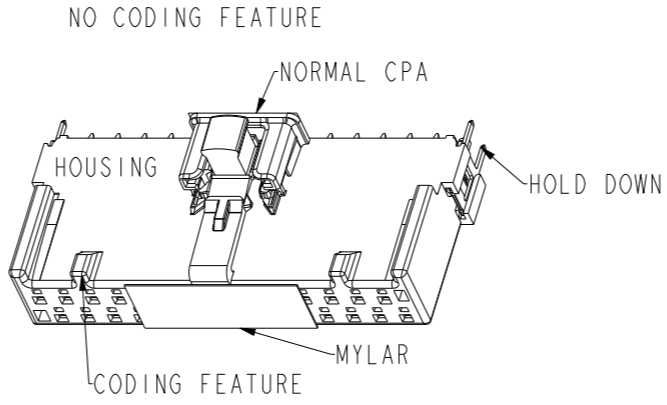
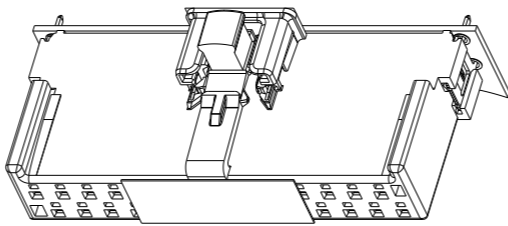
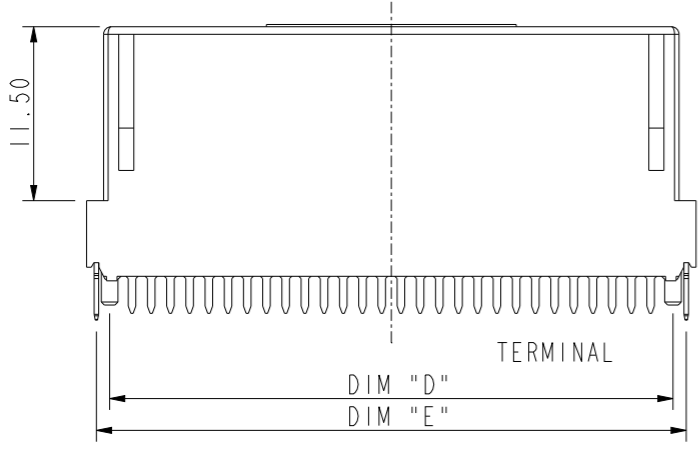
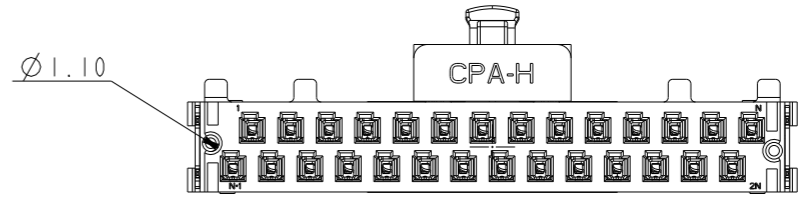
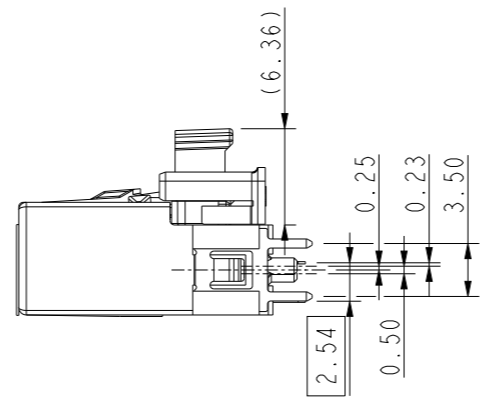
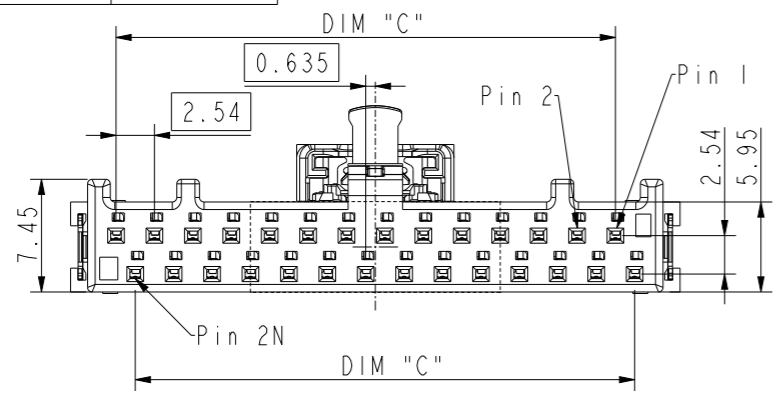


PIN NUMBER	DIM "A"	DIM "B"	DIM "C"	DIM "D"	DIM "E"
32 Pin	43.13	45.38	38.10	42.33	44.08
30 Pin	40.59	42.84	35.56	39.79	41.54
28 Pin	38.05	40.3	33.02	37.25	39.00
26 Pin	35.51	37.76	30.48	34.71	36.46
24 Pin	32.97	35.22	27.94	32.17	33.92
22 Pin	30.43	32.68	25.4	29.63	31.38
20 Pin	27.89	30.14	22.86	27.09	28.84
18 Pin	25.35	27.6	20.32	24.55	26.3
16 Pin	22.81	25.06	17.78	22.01	23.76
14 Pin	20.27	22.52	15.24	19.47	21.22
12 Pin	17.73	19.98	12.7	16.93	18.68
10 Pin	15.19	17.44	10.16	14.39	16.14

CODING	DIM "F"
A	6.65
B	6.15
C	5.65
D	7.15



LAYOUT RECOMMENDED
TOLERANCE: ±0.05



Part number scheme
10161735-XXXXXXLF

CONNECTOR STYLE
V: NORMAL (USCAR V2)
N: LV214 S3

PIN NUMBER
32- 32 PIN
30- 30 PIN
28- 28 PIN
10- 10 PIN

CONTACT AREA PLATING
1. 8u" GXT OR GOLD
2. 40u" TIN

LEAD FREE

CODING OPTIONAL (SEE NOTES 7)
I: NO CODING FEATURE (BLACK)
A: CODING A BLACK
B: CODING B GREEN (RAL6002)
C: CODING C WHITE (RAL9001)
D: CODING D BORDEAUX (RAL4004)

CPA OPTION
0: WITHOUT
1: WITH CPA

REGISTRATION MYLAR
0: WITHOUT
1: WITH

- NOTES:
- MATERIAL:
1.1 HOUSING AND CPA: THERMOPLASTIC
1.2 TERMINAL AND HOLD DOWN: COPPER ALLOY
 - PLATING: 1-3µm NI UNDER PLATING;
2.1 CONTACT AREA: ACCORDING TO PART NUMBER;
2.2 SOLDER TAIL: TIN PLATING.
 - PRODUCT SPEC GX-12-1679.
 - THIS HOUSING WILL WITHSTAND EXPOSURE TO 260°C PEAK TEMPERATURE FOR 20 SECONDS IN A IR REFLOW SOLDERING APPLICATION.
 - THIS PRODUCT MEETS EUROPEAN UNION DIRECTIVES AND OTHER COUNTRY REGULATIONS AS DESCRIBED IN GS-47-0004.
 - VT 10161735 CAN MATE WITH RA 10158557 OR VT 10161734
 - CODING FEATURE CAN BE OFFERED FOR 20-36PIN AND NO CODING FEATURE FOR 10-18P AND CODING ABC FOR 20PIN & CODING ABCD FOR 22-36PIN.

spec ref	dr	Li-Qing Lei	2021/06/28	projection	mm	size	A3	scale	2:1
tolerance std	eng	Li-Qing Lei	2023/05/09		← →	ecn no	ELX-N-48161-1	rel level	Released
TOLERANCES UNLESS OTHERWISE SPECIFIED			chr						
surface	linear	0.X	±0.5		RECEPTACLE VT FlexLock 2.54mm Pitch Connector	dwg no	10161735	rev	D
		0.XX	±0.25						
		0.XXX	±0.10						
	angular	0°	±2°	amphenol-icc.com	cat. no.	Product - Customer Drw	sheet 1 of 1		