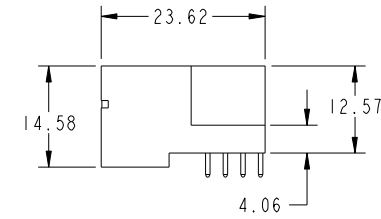
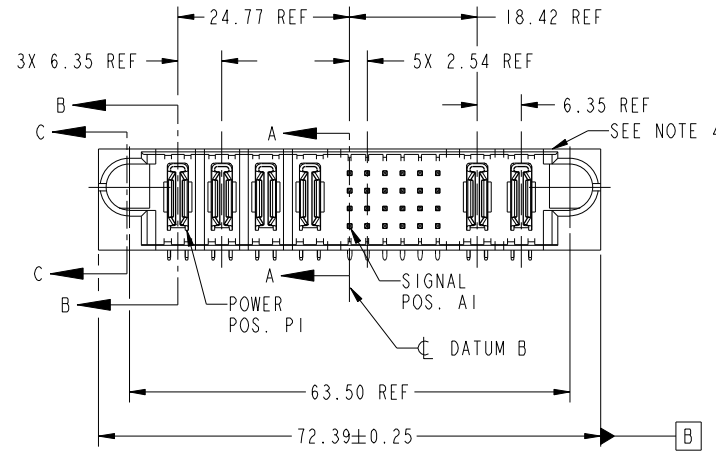


Tous droits strictement réservés. Reproduction ou communication a des tiers interdite sous quelque forme que ce soit sans autorisation écrite du propriétaire. Propriete de c FCI. Droits de reproduction FCI.



All rights strictly reserved. Reproduction or issue to third parties in any form whatever is not permitted without written authority from the proprietor. Property of FCI. Copyright FCI.

PRODUCT NO.	ROWS	POWER				SIGNAL						POWER			
		E1	P1	P2	P3	P4	1	2	3	4	5	6	P5	P6	E2
51939-308... NOTE 3	D C B A														



CODE	DIM "M" MATING LENGTH	CONTACT TYPE
U	[6.86]	SIGNAL
T	[6.86]	SIGNAL
S	[6.86]	SIGNAL
R	[6.86]	SIGNAL
PA	[N/A]	POWER

mat'l code				SEE NOTE		tolerances unless otherwise specified		CUSTOMER		FCI	
ltr	ecn no.	dr	date	linear	0.X ±0.3	projection		COPY		www.fciconnect.com	
A	DG07-0291	SH	07/12/07	angles	0.XX ±0.13			title		4P + 24S + 2P	
					0.XXX ±0.051			product family		PwrBlade	
				dr	0° ±2°	scale		size		code	
				enr	Sincere He 07/12/07	1:1		dwg no		213	
				chr	Sincere He 07/12/07			51939-308		sheet	
				appd	Gary Hsieh 07/12/07			A		1 of 4	
					Joseph Hsia 07/12/07						
sheet index	revision sheet	A	A	A	A						
		1	2	3	4						

cage code 22526

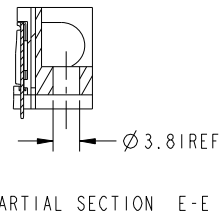
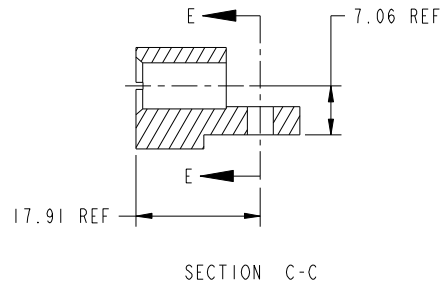
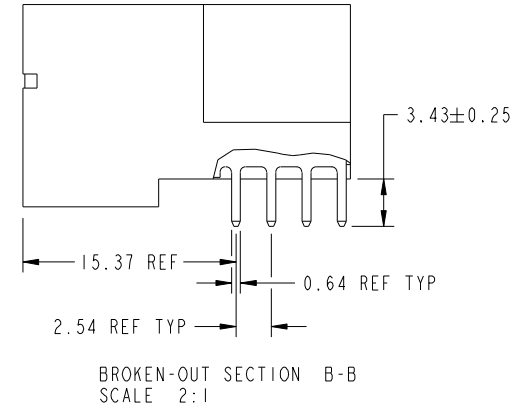
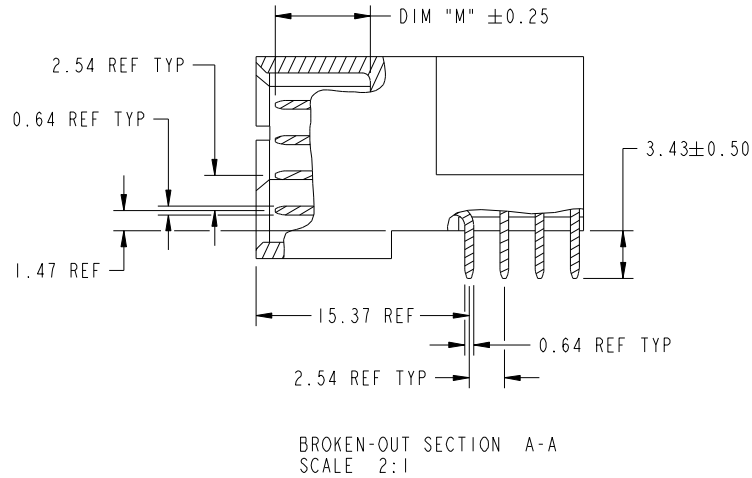
Pro/E

Tous droits strictement reserves. Reproduction ou communication a des tiers interdite sous quelque forme que ce soit sans autorisation écrite du propriétaire. Propriete de c FCI. Droits de reproduction FCI.

All rights strictly reserved. Reproduction or issue to third parties in any form whatever is not permitted without written authority from the proprietor. Property of FCI. Copyright FCI.



PRODUCT NUMBER
51939-308..
NOTE: 3



mat'l code		SEE NOTE		tolerances unless otherwise specified		CUSTOMER		FCI	
ltr	ecn no.	dr	date	linear	0.X ±0.3	COPY		www.fciconnect.com	
A					0.XX ±0.13	projection		title	
				angles	0.XXX ±0.051			4P + 24S + 2P RIGHT ANGLE SOLDER HEADER	
				dr	Sincere He 07/12/07			product family PwrBlade code	
				enr	Sincere He 07/12/07			size 213	
				chr	Gary Hsieh 07/12/07	scale 1:1		dwg no 51939-308 sheet	
				appd	Joseph Hsia 07/12/07			2 of 4	
sheet index		revision sheet							

cage code 22526

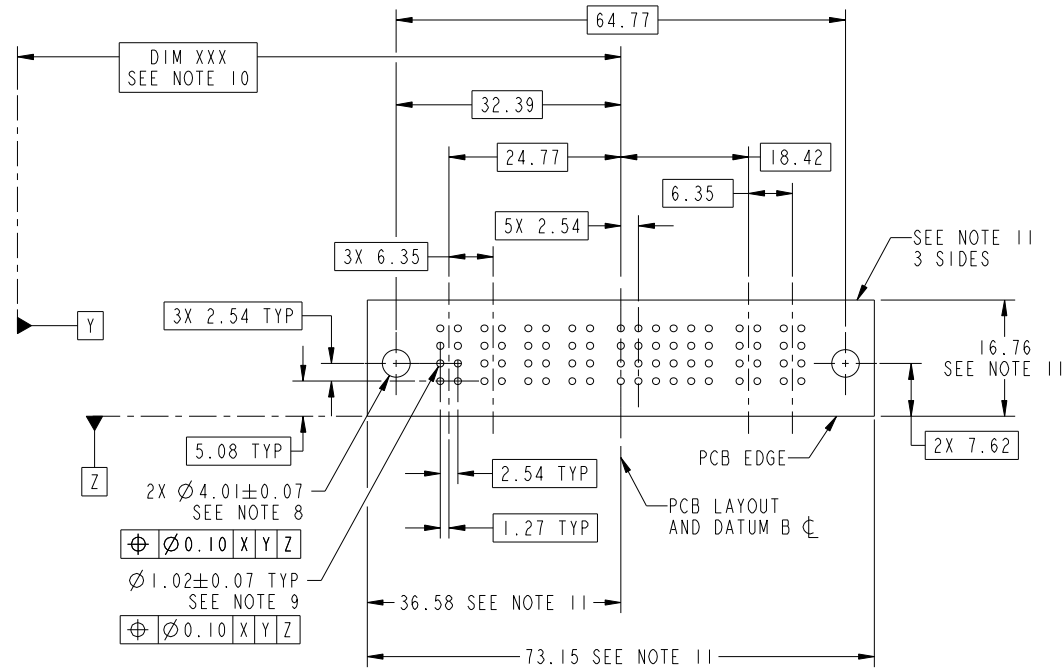
Pro/E

Tous droits strictement reserves. Reproduction ou communication a des tiers interdite sous quelque forme que ce soit sans autorisation écrite du propriétaire. Propriete de c FCI. Droits de reproduction FCI.



All rights strictly reserved. Reproduction or issue to third parties in any form whatever is not permitted without written authority from the proprietor. Property of FCI. Copyright FCI.

PRODUCT NUMBER
51939-308_
NOTE: 3



RECOMMENDED PCB LAYOUT

mat'l code				SEE NOTE		tolerances unless otherwise specified		CUSTOMER		FCI www.fciconnect.com	
ltr	ecn no.	dr	date	linear	0.X ± 0.3		COPY		title		
A					0.XX ± 0.13		projection		4P + 24S + 2P RIGHT ANGLE SOLDER HEADER		
					0.XXX ± 0.051				product family PwrBlade code 213		
				angles	0° ± 2°		MIM		size		sheet
					dr Sincere He 07/12/07		← MIM →		dwg no		3 of 4
					enr Sincere He 07/12/07		scale		51939-308		
					chr Gary Hsieh 07/12/07		1:1				
					appd Joseph Hsia 07/12/07						
sheet index		revision sheet									

cage code 22526

Pro/E

Tous droits strictement reserves. Reproduction ou communication a des tiers interdite sous quelque forme que ce soit sans autorisation écrite du propriétaire. Propriete de c FCI. Droits de reproduction FCI.



All rights strictly reserved. Reproduction or issue to third parties in any form whatever is not permitted without written authority from the proprietor. Property of FCI. Copyright FCI.

PRODUCT NUMBER
51939-308--
NOTE: 3

NOTES:

1. DIMENSIONS AND TOLERANCES ARE IN ACCORDANCE WITH ASME Y14.5M, 1994 UNLESS OTHERWISE SPECIFIED.

CONNECTOR NOTES:

- 2. HOUSING MATERIAL: UL 94 V-0 GLASS FILLED
HIGH-TEMP THERMOPLASTIC
POWER CONTACT MATERIAL: COPPER ALLOY
SIGNAL PIN MATERIAL: COPPER ALLOY
- 3. 51939-308; 51939-308LF PLATING SPEC. SEE PRINT:10064183
- 4. MANUFACTURER'S NAME, P/N, AND DATE CODE TO APPEAR ON THIS SURFACE.
- 5. PRODUCT SPECIFICATION GS-12-149.
APPLICATION SPECIFICATION BUS-20-067.
- 6. PACKAGED IN TRAYS.

PCB NOTES:

- 7. ALL HOLE DIAMETERS ARE FINISHED HOLE SIZE.
- 8. MOUNTING HOLES, WHERE APPLICABLE, ARE UNPLATED.
- 9. $\varnothing 1.151 \pm 0.025$ DRILLED HOLES PLATED WITH
0.008 MIN SnPb OR Sn OVER 0.03
TO 0.08 Cu PLATING TO ACHIEVE
 $\varnothing 1.02 \pm .07$ HOLE.
- 10. "DIM XXX" TO BE DETERMINED BY THE CUSTOMER.
- 11. CONNECTOR KEEP-OUT ZONE.

mat'l code				SEE NOTE	tolerances unless otherwise specified	CUSTOMER	FCI www.fciconnect.com	
ltr	ecr no.	dr	date	linear	0.X ± 0.3	COPY	title	
A					0.XX ± 0.13	projection	4P + 24S + 2P RIGHT ANGLE SOLDER HEADER	
				angles	0.XXX ± 0.051		product family PwrBlade code	
				dr	0° ± 2°	MIM	size	213
				enr	Sincere He 07/12/07	scale	dwg no	sheet
				chr	Sincere He 07/12/07	1:1	51939-308	4 of 4
				appd	Gary Hsieh 07/12/07			
					Joseph Hsia 07/12/07			
sheet index	revision sheet							

cage code 22526

Pro/E