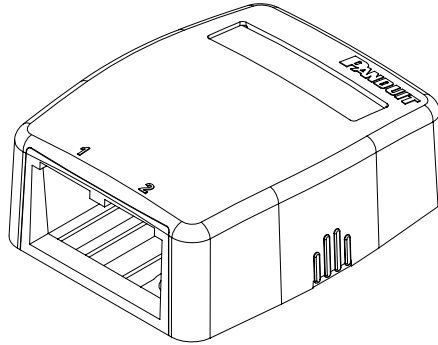
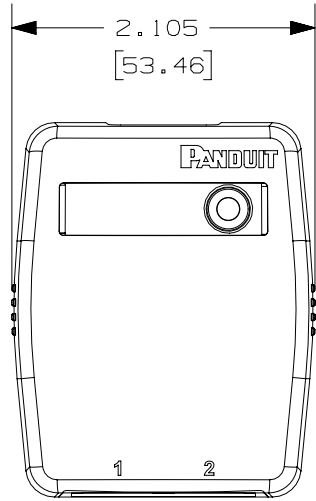


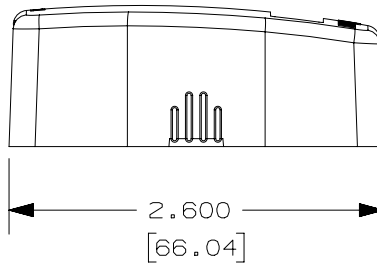
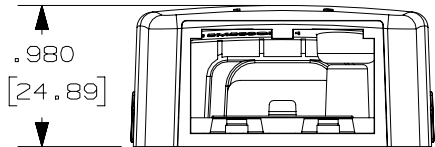
THIS COPY IS PROVIDED ON A RESTRICTED BASIS AND IS NOT TO BE USED IN ANY WAY DETRIMENTAL TO THE INTERESTS OF PANDUIT CORP.




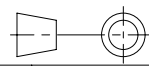
PANDUIT P/N	WEIGHT
CBXQ2**-A	.47 LB/10 PCS 214.3 g/10 PCS

NOTES:

- SEE CURRENT CATALOG FOR ADDITIONAL PART NUMBER SUFFIXES TO INDICATE COLOR AND/OR PACKAGE QUANTITY.
- SEE CATALOG FOR A COMPLETE LIST OF PARTS APPLICABLE FOR USE WITH THIS PART.
- DIMENSIONS IN PARENTHESES ARE IN METRIC.
- BREAKOUTS DESIGNED TO ACCEPT LD3/LDPH3 and LD5/LDPH5 RACEWAY.
- INCLUDED WITH BOX KIT:
 - (1) BOX COVER
 - (1) BOX BASE
 - (1) PLT1M PAN-TY
 - (1) LABEL AND LABEL COVER
 - (1) SCREW (USED TO SECURE COVER TO BASE)
 - (1) STRIP OF 1.00" X .75" FOAM TAPE FOR MOUNTING



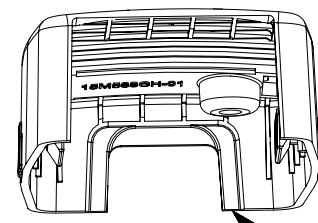
NO WARRANTY, EXPRESSED OR IMPLIED, IS MADE BY PANDUIT WITH RESPECT TO ADHESIVE BOND PERFORMANCE. AMONG OTHER THINGS, THE CONDITIONS UNDER WHICH THESE MOUNTS MAY BE APPLIED AND/OR THE SURFACE TO WHICH THEY MAY BE APPLIED ARE BEYOND PANDUIT'S CONTROL

PART NUMBER		SEE TABLE	
TITLE			
MINI-COM 2 PORT BOX W/ QUICK RELEASE COVER			
CUSTOMER DRAWING			
ITEM REVISION NAME		15M583CI/13	
DATASET FILE NAME		15M583CI_DC06/13A	
UNLESS OTHERWISE SPECIFIED, DIMENSIONAL TOLERANCES ARE: IN (mm)			
.X ± .XX ±			
.XXX ± ANGLES ±		MATERIAL:	
		DRAWING NUMBER:	
THIRD ANGLE PROJECTION		15M583CI-06	
DRAWN BY	DATE	CHK	SCALE
BJN	4-5-16	JCO	NONE
SHT 1 OF 2			SIZE
			A

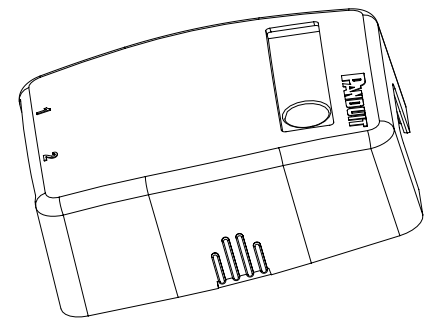
REV	DATE	BY	CHK	APR	DESCRIPTION	ECN
1	8-09-16	MDJR	JCO	MMR	UPDATED CAD MODEL	15M583CI-06
R	4-11-16	BJN	JCO	MMR	RELEASED TO PRODUCTION	15M583CI-06

D10100DA/14

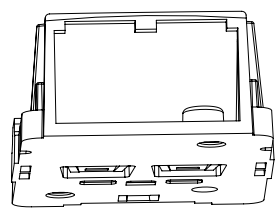
THIS COPY IS PROVIDED ON A RESTRICTED BASIS AND IS NOT TO BE USED IN ANY WAY DETRIMENTAL TO THE INTERESTS OF PANDUIT CORP.



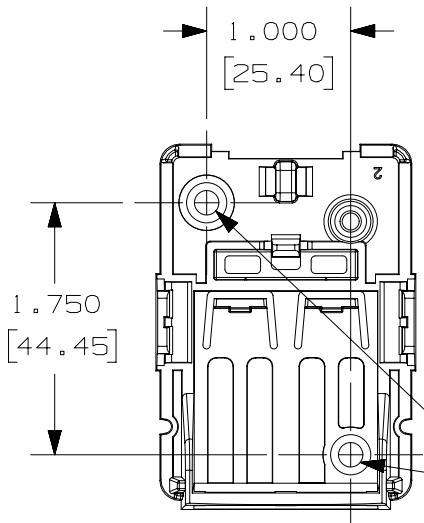
BREAKOUT AREA



PAN-TY LOOP FOR CABLE HOLD-DOWN



MOUNTING HOLES FOR #6 COUNTERSUNK SCREW (NOT INCLUDED)



PART NUMBER		SEE TABLE	
TITLE			
MINI-COM 2 PORT BOX W/ QUICK RELEASE COVER			
CUSTOMER DRAWING			
ITEM REVISION NAME		15M583CI/13	
DATASET FILE NAME		15M583CI_DC06/13A	
UNLESS OTHERWISE SPECIFIED, DIMENSIONAL TOLERANCES ARE: IN (mm)		PANDUIT	
.X ± .XXX ± .XX ± ANGLES ±			
DRAWING NUMBER:		15M583CI-06	
DRAWN BY	DATE	CHK	SCALE
BJN	4-5-16	JCO	NONE
REV	DATE	BY	CHK
1	8-09-16	MDJR	JCO
R	4-11-16	BJN	JCO
DESCRIPTION		ECN	
SEE SHEET 1 FOR REVISION HISTORY		15M583CI-06	
SEE SHEET 1 FOR REVISION HISTORY		15M583CI-06	
SHT 2 OF 2		A	

D10100DA/14