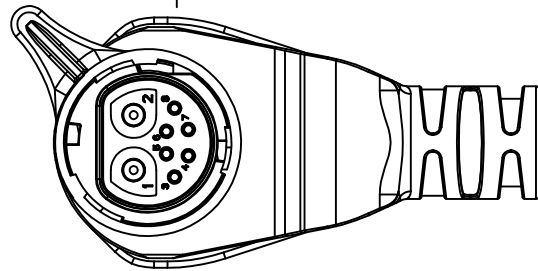
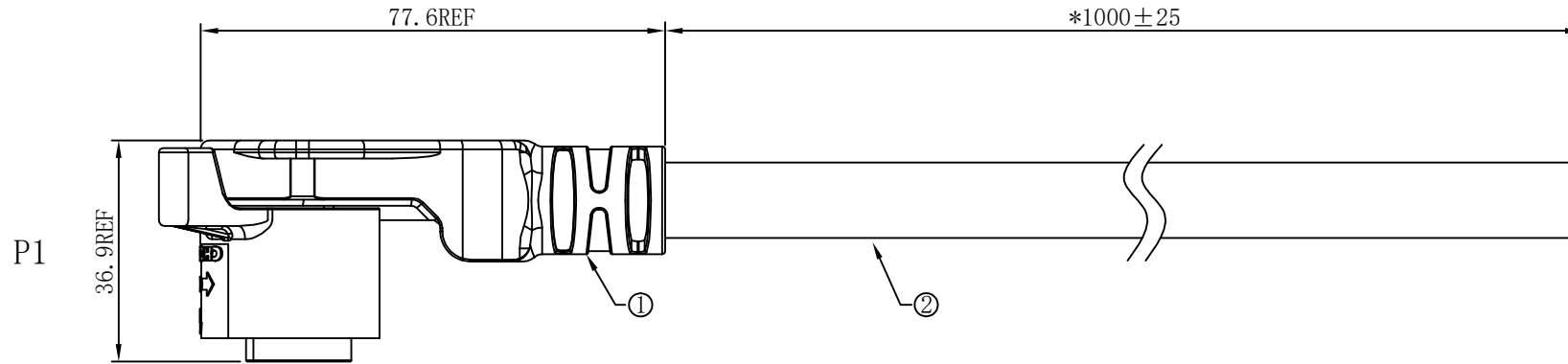
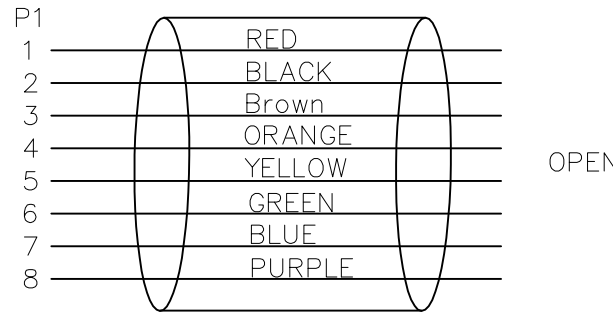


REV.	ECN NO.	DESCRIPTION	SIGN	DATE
C1	N/A	INITIAL DRAWING	Hu Zhou	2022.06.25



VIEW A



SPECIFICATIONS&TEST REQUIREMENTS

- 1.TEMPERATURE RATING: -40℃~105℃
- 2.CURRENT RATING :2*40A+6*2A
- 3.VOLTAGE RATING:72V DC
- 4.INSULATION RESISTANCE:20MΩ@500VDC,1MIN
- 5.DIELECTRIC WITHSTANDING VOLTAGE:1500VAC, 1MIN
- 6.MATING CYCLE:10000CYCLES.
- 6.WATERPROOF RATING:IP67(MATING).
- 7.ROHS COMPLIANT.

2	900-00801-00057	A/R	M	UL2464 10AWG*2C+24AWG*6C+F+P Black PVC CABLE
1	13206134-01-001	1	PC	KR Series 2+6 Push Lock 90° Overmolding Plug
ITEM	CHOGORI P/N	QTY	UNIT	DESCRIPTION

UNIT:mm		DESCRIPTION: KR Series 2+6 Push Lock 90° Overmolding Cable Assm.	
TOLERANCE: ±1	SCALE: 1:1	SHEET 1 OF 1	
	REV. C1	SIZE A4	* :Inspection Item

CHOGORI

PART NO	11C03621112305	DRAWN BY	Hu Zhou	DATE	2022/06/25
DWG NO	11C03621112305	CHECKED BY	Zhong Peng	DATE	2022/06/25
CUSTOMER		APPROVED BY	Eric	DATE	2022/06/25

THIS INFORMATION IS CONFIDENTIAL AND IS DISCLOSED TO YOU ON CONDITION THAT NO FURTHER DISCLOSURE IS MADE BY YOU TO OTHER THAN CHOGORI PERSONNEL WITHOUT AUTHORIZATION FROM CHOGORI CORP.