

# Flush-type connector - SACC-DSI-M8MS-5CON-M8-L90 DN - 1424240

Please be informed that the data shown in this PDF Document is generated from our Online Catalog. Please find the complete data in the user's documentation. Our General Terms of Use for Downloads are valid (<http://download.phoenixcontact.com>)



Sensor/actuator flush-type plug-in connector, plug, 5-pos., DeviceNet, M8, rear/screw mounting with M10 fastening thread, with angled solder connection



## Key commercial data

|                        |   |
|------------------------|---|
| Packing unit           | 0   |
| Minimum order quantity | 1   |
| GTIN                   | <br>4 046356 712521 |
| Custom tariff number   | 85366990  |
| Country of origin      | GERMANY   |

## Technical data

### General data

|                                 |                  |
|---------------------------------|------------------|
| Rated current at 40°C           | 3 A              |
| Rated voltage                   | 30 V             |
| Number of positions             | 5                |
| Volume resistance               | ≤ 3 mΩ           |
| Insulation resistance           | ≥ 100 MΩ         |
| Ambient temperature (operation) | -25 °C ... 85 °C |

### General characteristics

|                          |                                      |
|--------------------------|--------------------------------------|
| Standards/regulations    | M8 plug-in connector IEC 61076-2-104 |
| Coding                   | B - inverse                          |
| Surge voltage category   | II                                   |
| Pollution degree         | 3                                    |
| Degree of protection     | IP67                                 |
| Contact material         | Cu alloy                             |
| Contact surface material | Au                                   |
| Contact carrier material | PA 66                                |
| Material, knurls         | Zinc die-cast, nickel-plated         |

# Flush-type connector - SACC-DSI-M8MS-5CON-M8-L90 DN - 1424240

## Technical data

### General characteristics

|                   |                                    |
|-------------------|------------------------------------|
| Mounting type     | Rear mounting M8 x 1 With flat nut |
| Connection method | Solder pins                        |
| Status display    | No                                 |

## Classifications

### ETIM

|          |          |
|----------|----------|
| ETIM 3.0 | EC002061 |
| ETIM 4.0 | EC002635 |
| ETIM 5.0 | EC002635 |

### UNSPSC

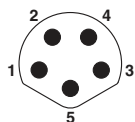
|               |          |
|---------------|----------|
| UNSPSC 11     | 31251501 |
| UNSPSC 12.01  | 31251501 |
| UNSPSC 13.2   | 31251501 |
| UNSPSC 6.01   | 31251501 |
| UNSPSC 7.0901 | 31251501 |

### eCl@ss

|            |          |
|------------|----------|
| eCl@ss 4.0 | 27140815 |
| eCl@ss 4.1 | 27140815 |
| eCl@ss 5.0 | 27143423 |
| eCl@ss 5.1 | 27143423 |
| eCl@ss 6.0 | 27143423 |
| eCl@ss 7.0 | 27449001 |

## Drawings

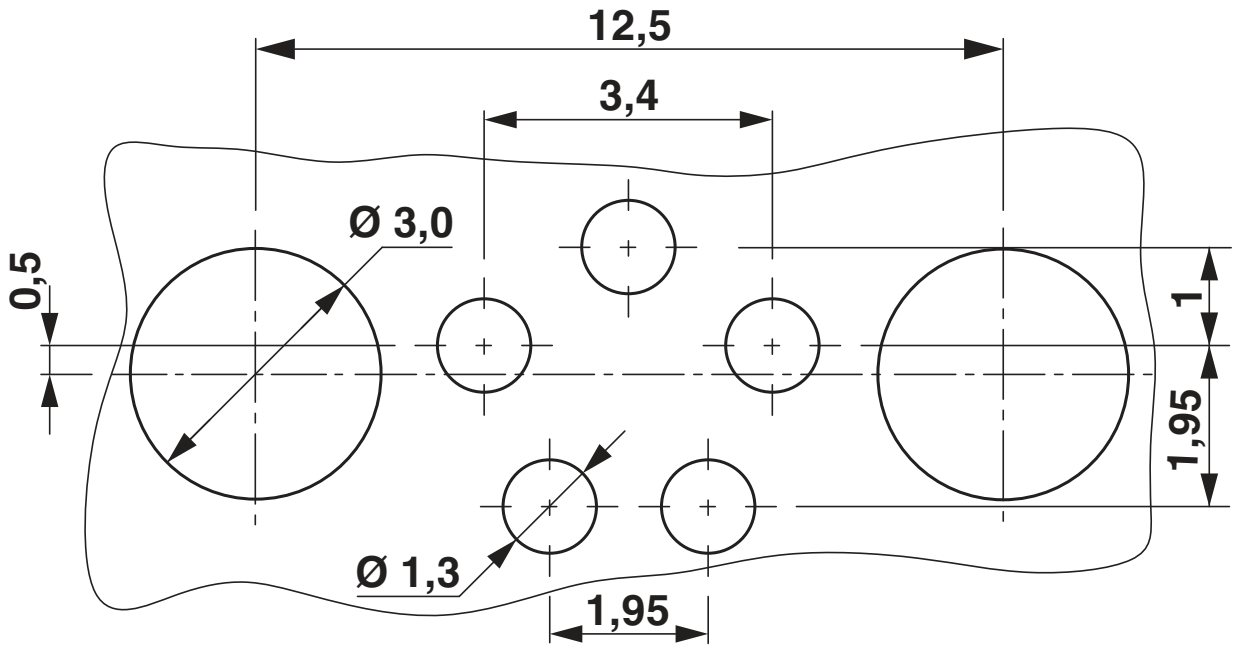
### Schematic diagram



Pin assignment M8 male connector, 5-pos., B-coded, view male side

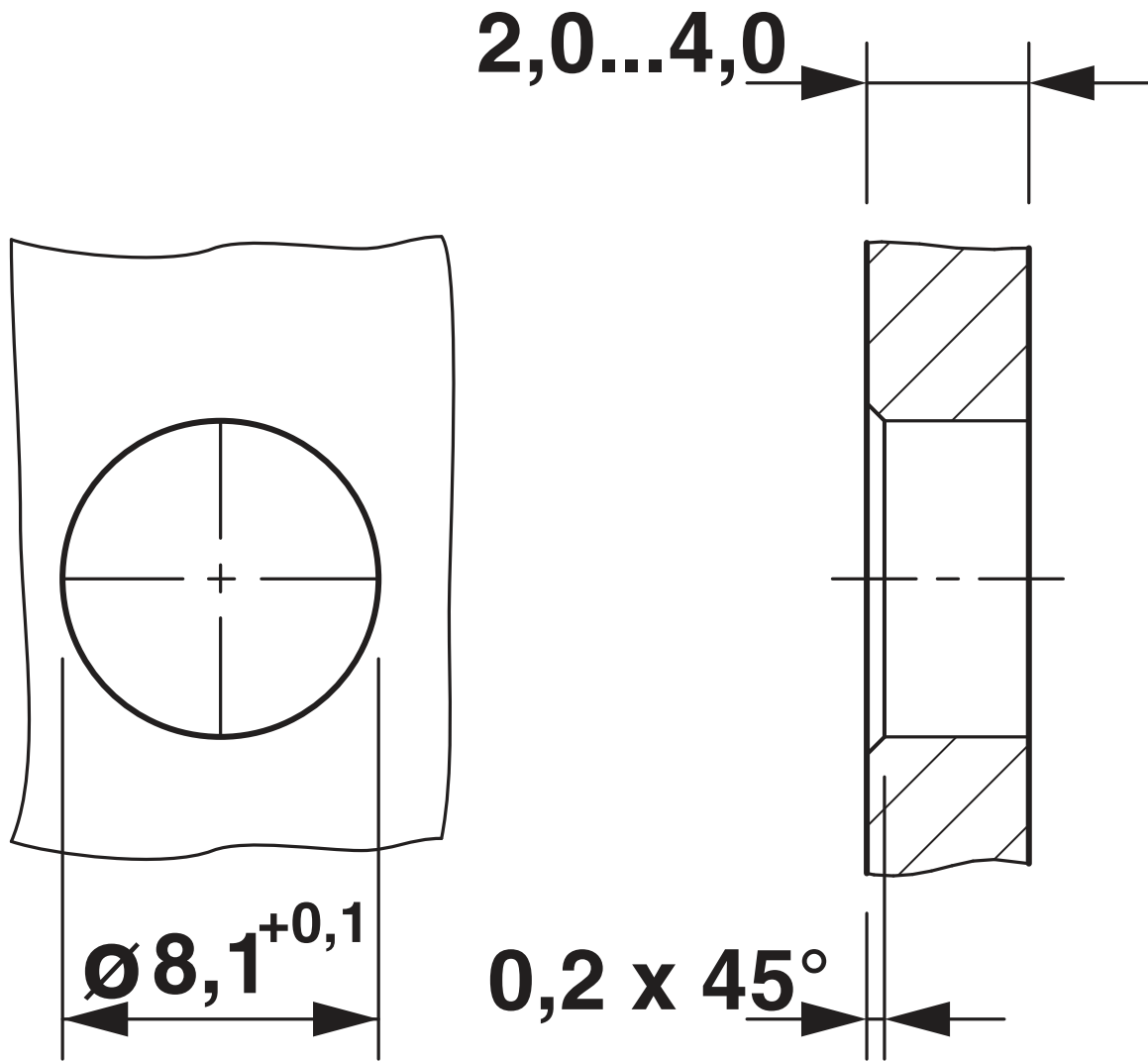
# Flush-type connector - SACC-DSI-M8MS-5CON-M8-L90 DN - 1424240

Drilling diagram



# Flush-type connector - SACC-DSI-M8MS-5CON-M8-L90 DN - 1424240

Dimensioned drawing





---

© Phoenix Contact 2012 - all rights reserved  
<http://www.phoenixcontact.com>