

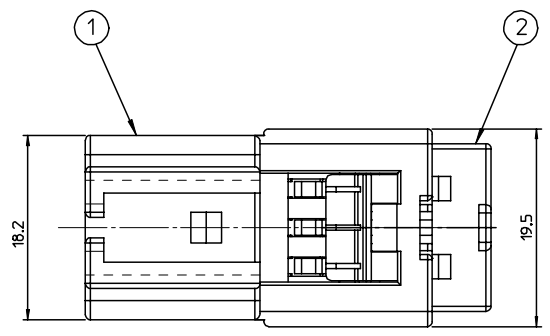
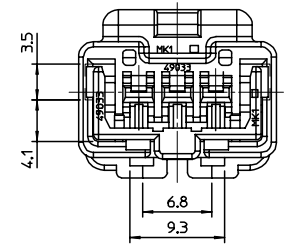
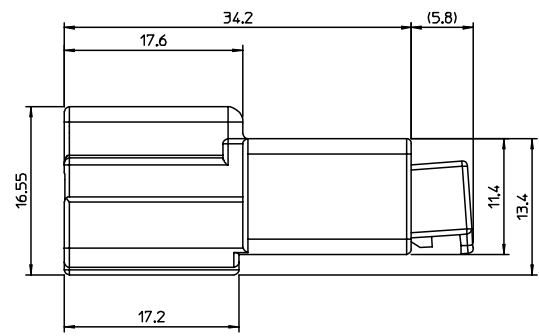
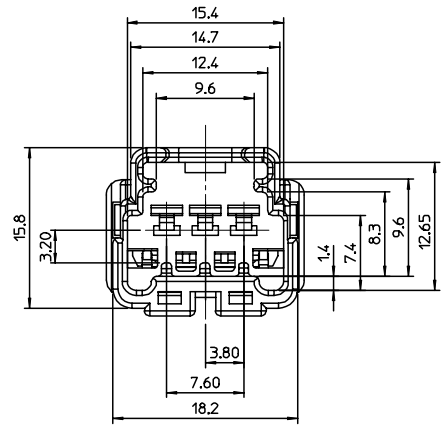
DWG. NO. SD-49033-001

SIMILAR ITEM

PROJECT NO.

B

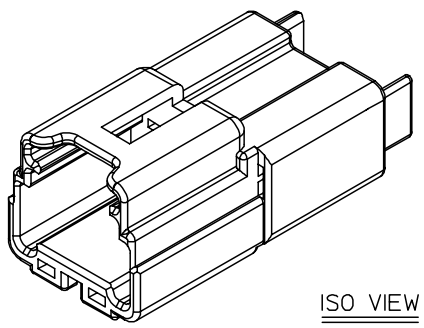
DO NOT SCALE DRAWING
DIMENSION IN METRIC



<NOTE>

- 1. MATERIAL : SEE TABLE
- 2. MATING CONNECTOR : 49034-0310
- 3. APPLICABLE TERMINAL : 35420-9*02

NO.	PART NO.	PART NAME	MATERIAL	COLOR
1	Ⓐ49033-0390	.090 M/HSG 3P	POLYESTER	NATURAL
	Ⓑ49033-0395	.090 M/HSG 3P	POLYESTER	GRAY
2	Ⓒ49033-0381	.090 M/TPA 3P	POLYESTER	BLACK



MATERIAL NO.	ENG. NO.	REMARKS
490330310	49033-0310	Ⓐ + Ⓒ
490330315	49033-0315	Ⓑ + Ⓒ

NEW RELEASED ECN NO. KOR2004-0092 DRWNS.MKIM 04/01/27 CHK.B.C.YOON 04/01/27 APPR.C.W.LEE	QUALITY SYMBOLS MAJOR CRITICAL	GENERAL TOLERANCES: (UNLESS SPECIFIED)		SCALE 2:1	DESIGN UNITS <input checked="" type="checkbox"/> mm <input type="checkbox"/> INCH	THIRD ANGLE PROJECTION	DIMENSIONS: <input type="checkbox"/> mm <input type="checkbox"/> INCH <input checked="" type="checkbox"/> mm ONLY	SHT	REV
		4 PLACES	±0.	±-	DRAWN BY & DATE S.M.KIM 03/12/01	TITLE: .090-II W/W MALE HSG ASS'Y 3P			
		3 PLACES	±0.	±-	CHECKED BY & DATE B.C.YOON 03/12/01				
		2 PLACES	±0.20	±-	APPROVED BY & DATE C.W.LEE 03/12/01	MOLEX INCORPORATED			
1 PLACE	±0.30	±-	ANGULAR: ± 1 °	CAD FILENAME SD49033.MI	MATERIAL NO. SEE TABLE				
A	REV	DRAFT WHERE APPLICABLE MUST REMAIN WITHIN DIMENSIONS			THIS DRAWING CONTAINS INFORMATION THAT IS PROPRIETARY TO MOLEX INCORPORATED AND SHOULD NOT BE USED WITHOUT WRITTEN PERMISSION.				SIZE B