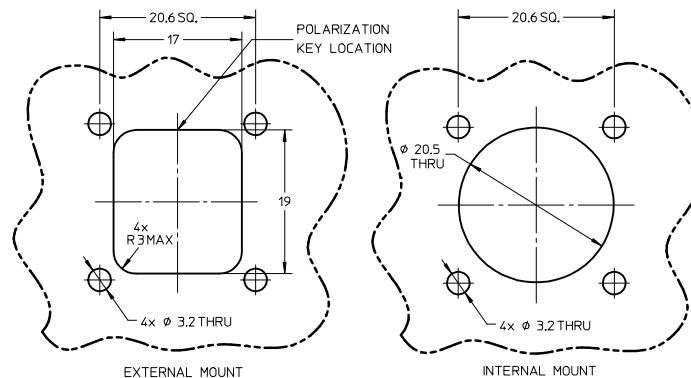
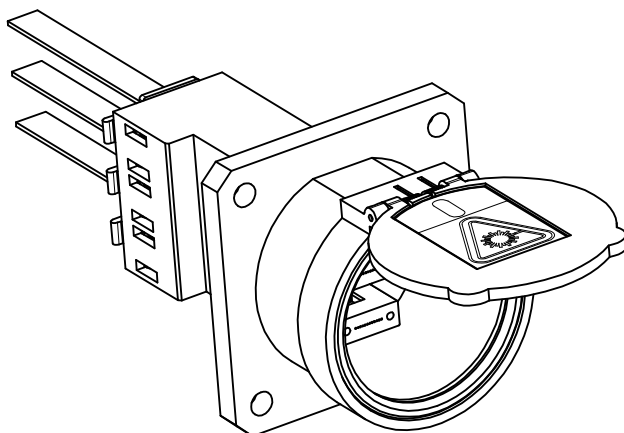


TYPICAL 1X3 MT CLIP
12 FIBER RIBBON SHOWN

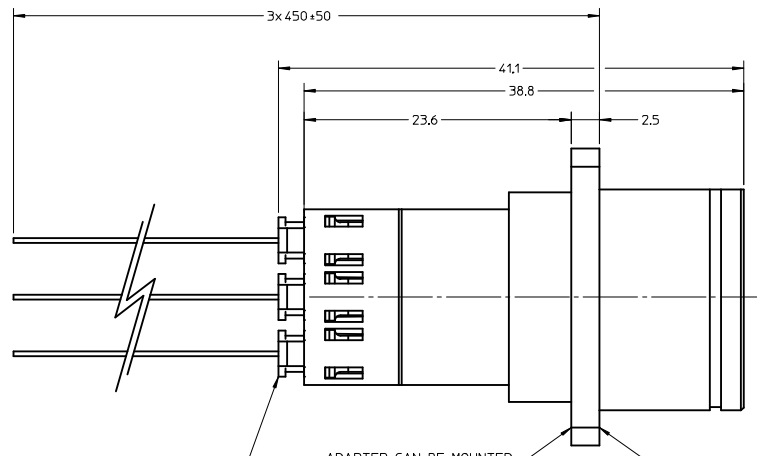


RECOMMENDED
MOUNTING CUTOUTS

SCALE 2:1

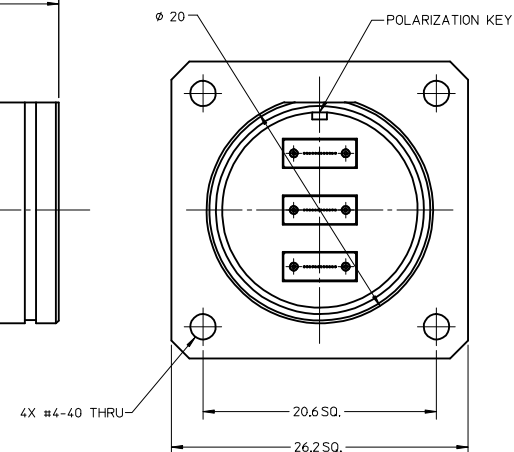


ADAPTER SHOWN WITH OPTIONAL
DUST/LASER PROTECTION SHUTTER
(P/N 1060776061)
SEE NOTE 3



1X3 CIRC MT CLIPS SHOWN ASSEMBLED
CLIPS ARE PURCHASED SEPARATELY
AS TERMINATED RIBBON ASSEMBLIES

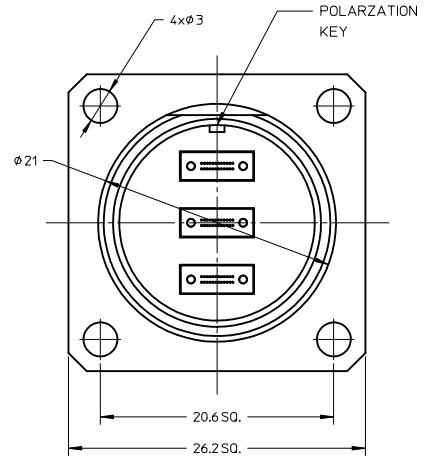
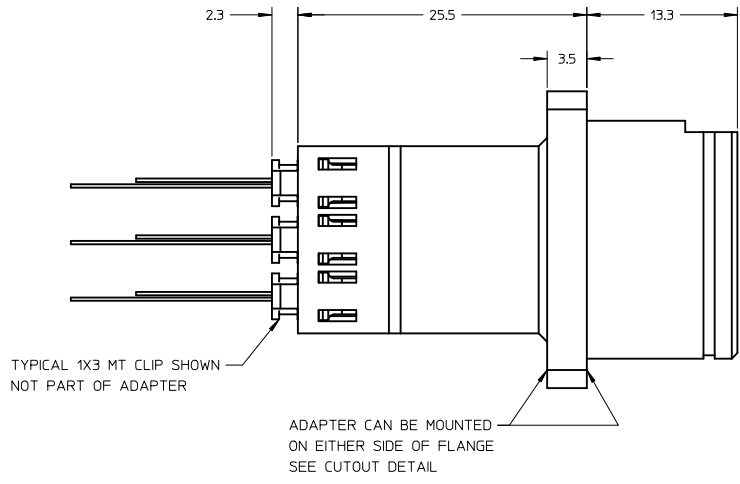
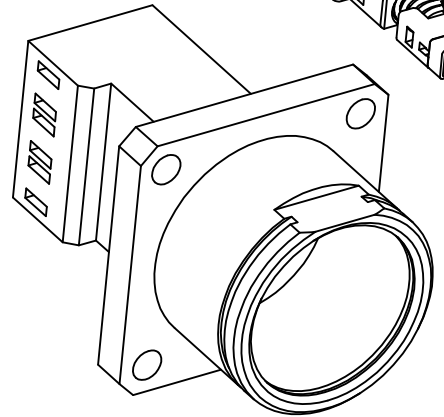
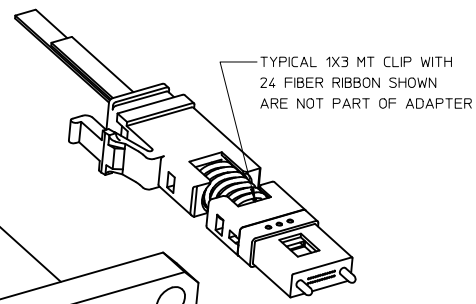
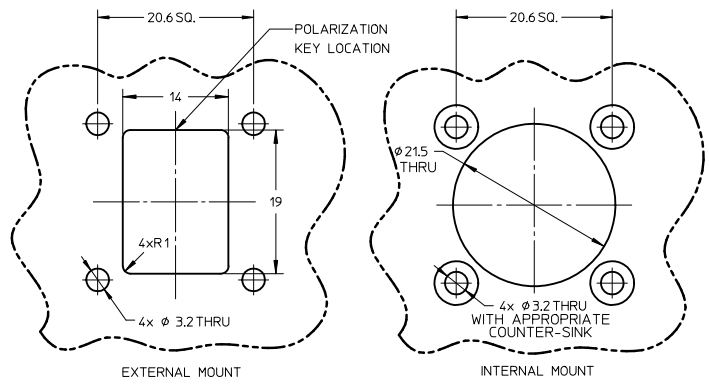
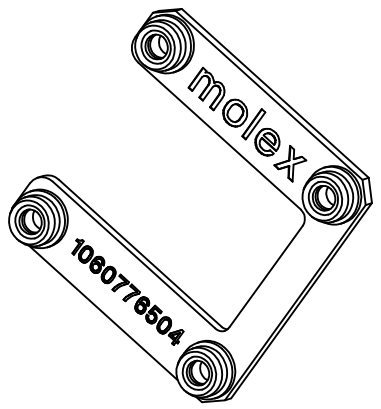
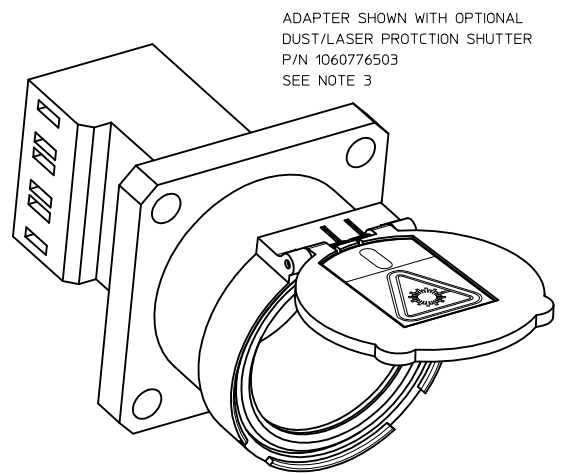
ADAPTER CAN BE MOUNTED
ON EITHER SIDE OF FLANGE
SEE RECOMMENDED MOUNTING
CUTOUTS



NOTES:

1. THIS IS A TYPICAL ADAPTER ASSEMBLY DRAWING AND IS FOR REFERENCE ONLY. DRAWINGS ARE GENERATED TO MEET CUSTOMER'S SPECIFIC REQUIREMENTS. ADAPTERS AND TERMINATED 1X3 MT CLIPS ARE SOLD INDIVIDUALLY.
2. DIMENSION ARE FOR REFERENCE ONLY.
3. OPTIONAL SHUTTER SNAPS ON AND IS ALIGNED BY A FLAT FEATURE ON THE ADAPTER. SHUTTER IS ALSO REMOVABLE. SHUTTERS ARE SOLD SEPERATELY.

ENTER DESCRIPTION EC NO: MF2007-0731 DRWNGSZ: LAGYI CHKD: 2007/06/12 APPR: SMI GO 2007/06/12	QUALITY SYMBOLS ▽=0 ▽=0	GENERAL TOLERANCES (UNLESS SPECIFIED)		DIMENSION STYLE MM ONLY		SCALE 3:1	DESIGN UNITS METRIC	THIRD ANGLE PROJECTION
		4 PLACES ± --- ± --- 3 PLACES ± --- ± --- 2 PLACES ± 0.1 ± --- 1 PLACE ± 0.1 ± ---	mm INCH	DRAWN BY _____ DATE _____ CHECKED BY _____ DATE _____ APPROVED BY _____ DATE _____	TITLE ADAPTER, 1X3 CIRCULAR MT 50/125MM 36 FIBER REFERENCE DRAWING		MOLEX MOLEX INCORPORATED	SHEET NO. 1 OF 1
1	DESCRIPTION 1	ANGULAR ±1/2°		MATERIAL NO. 1062751001		DOCUMENT NO. SD-106275-1001		DRAFT WHERE APPLICABLE MUST REMAIN WITHIN DIMENSIONS
THIS DRAWING CONTAINS INFORMATION THAT IS PROPRIETARY TO MOLEX INCORPORATED AND SHOULD NOT BE USED WITHOUT WRITTEN PERMISSION								



ADAPTER
P/N 1060776501

NOTES:

1. THIS IS A TYPICAL ADAPTER DRAWING AND IS FOR REFERENCE ONLY. DRAWINGS ARE GENERATED TO MEET CUSTOMER'S SPECIFIC REQUIREMENTS. ADAPTERS AND TERMINATED 1X3 MT CLIPS ARE SOLD INDIVIDUALLY.
2. DIMENSION ARE FOR REFERENCE ONLY.
3. OPTIONAL SHUTTER SNAPS ON AND IS ALIGNED BY A FLAT FEATURE ON THE ADAPTER. SHUTTER IS ALSO REMOVABLE. SHUTTERS ARE SOLD SEPARATELY.
4. OPTIONAL MOUNTING BRACKET IS SOLD SEPARATELY.

ENTER DESCRIPTION EC NO: MF2011-0018 DRWNSZ:ILAGY1 2010/07/07 CHKD: 2010/07/19 APPR:SM1GO 2010/07/21 REV: 1	QUALITY SYMBOLS ▽=0 ▽=0	GENERAL TOLERANCES (UNLESS SPECIFIED) mm INCH 4 PLACES ± --- ± --- 3 PLACES ± --- ± --- 2 PLACES ± --- ± --- 1 PLACE ± --- ± --- ANGULAR ±1/2°	DIMENSION STYLE MM ONLY DRAWN BY DATE DSZ:ILAGY1 2010/07/07 CHECKED BY DATE	SCALE 3:1 DESIGN UNITS METRIC THIRD ANGLE PROJECTION	ADAPTER, PLASTIC 1X3 CIRCULAR MT REFERENCE DRAWING MOLEX INCORPORATED DOCUMENT NO. SD-106275-5001 SHEET NO. 1 OF 1 THIS DRAWING CONTAINS INFORMATION THAT IS PROPRIETARY TO MOLEX INCORPORATED AND SHOULD NOT BE USED WITHOUT WRITTEN PERMISSION
	DRAFT WHERE APPLICABLE MUST REMAIN WITHIN DIMENSIONS		APPROVED BY DATE SM1GO 2010/07/19	MOLEX	
			MATERIAL NO. 1062755001	MOLEX	
			SIZE C	MOLEX	