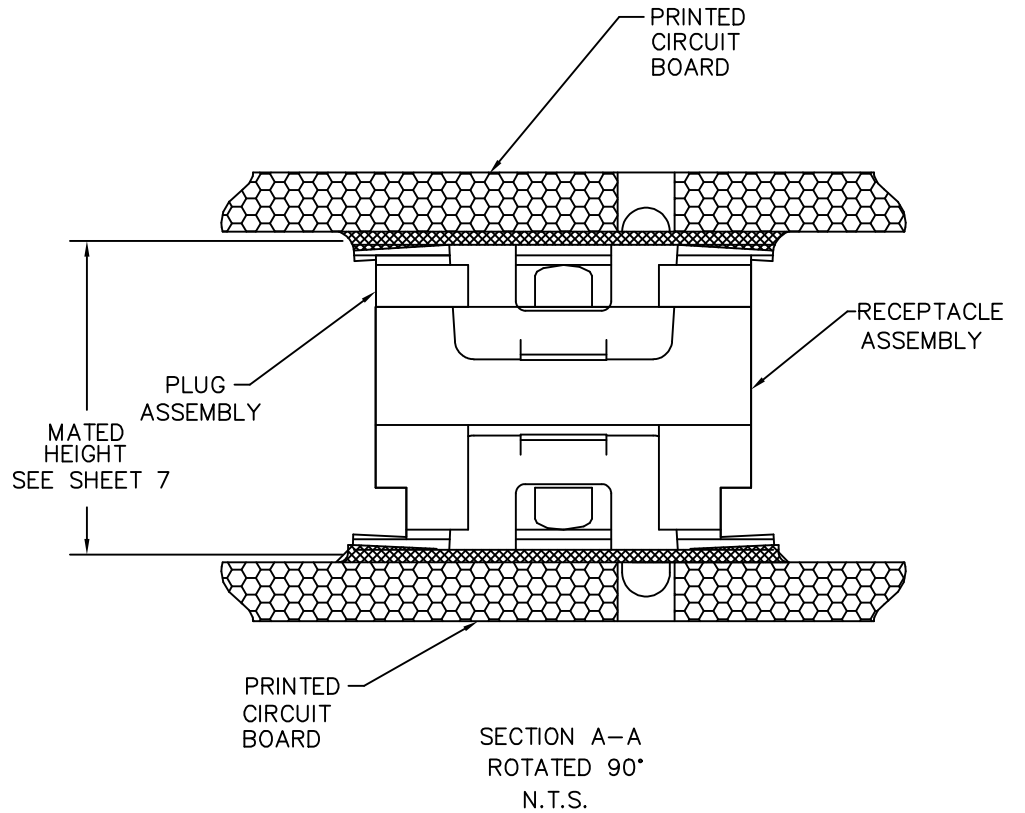
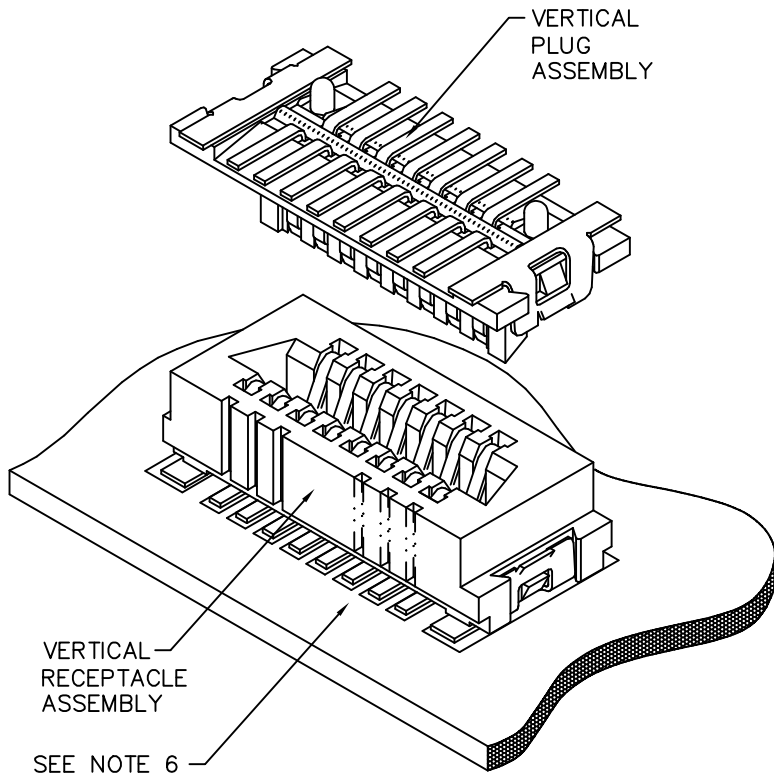


PRODUCT NUMBER
SEE TABLE

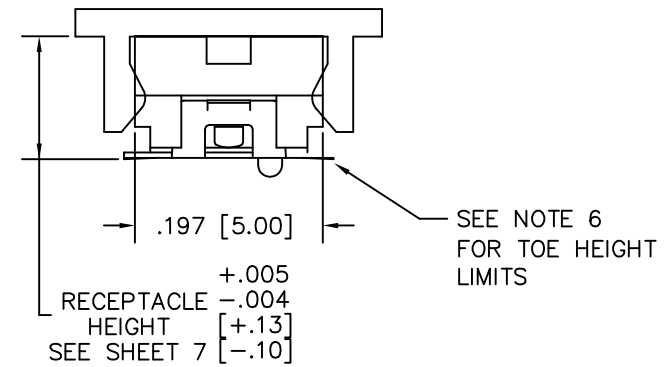
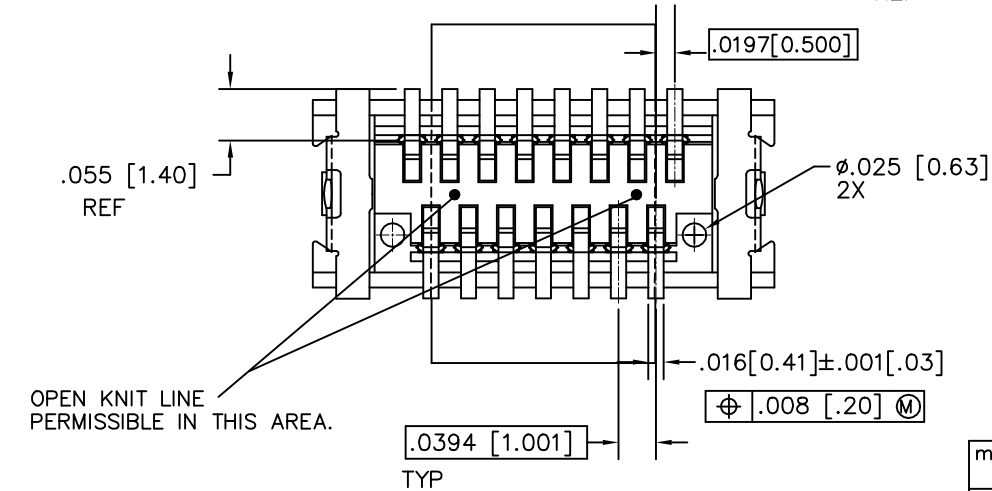
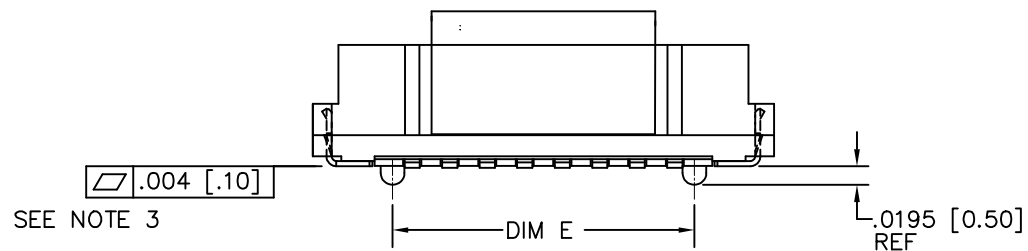
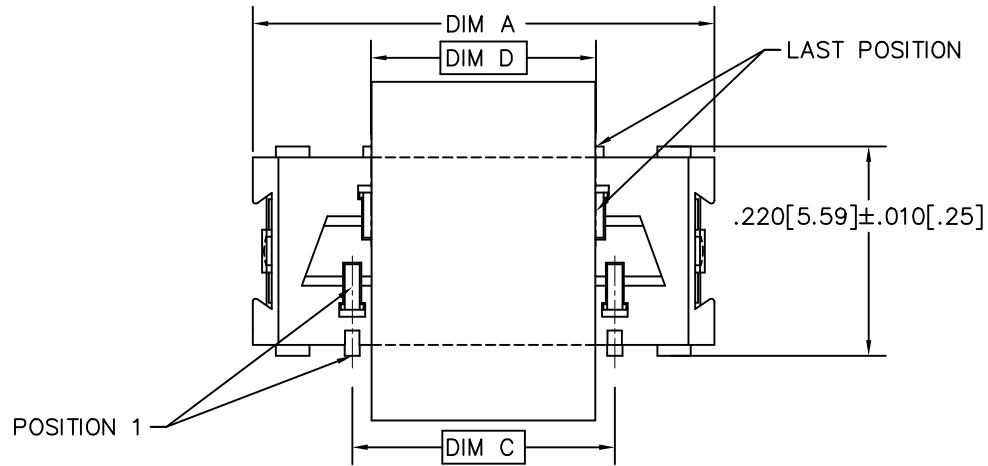


Amphenol
FCI

© 2016 AFCI

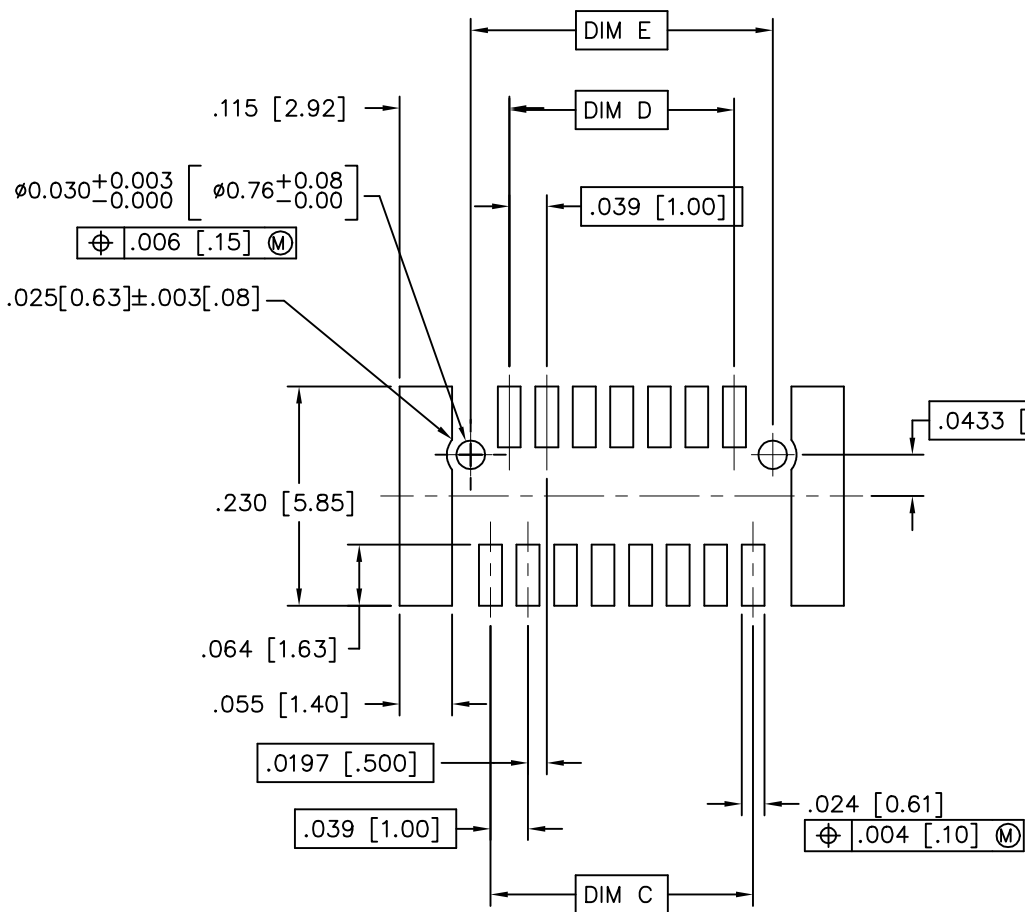
mat'l. code		surface ISO 1302 ✓		tolerance ISO 406 ISO 1101		projection 110°		product family CONAN HPL548		
ltr		ecn no dr date		tolerances unless otherwise specified		mm		title		
A	N11-0214	J.ZHOU	2011-07-20	angles	.0±.3	← mm		ASSEMBLY		
B	ELX-N-34967	J.ZHOU	2011-08-23	linear	.00±.13	← mm		CONAN CONNECTOR		
C	ELX-N-14210	J.ZHOU	2013-03-07	0°±2°	.000±.05	scale 1:1		dwg no sheet 1 of 7 size		
D	ELX-N-36787	Bob	2020-04-21	dr	J.ZHOU	2011-07-20	Amphenol FCI		10118744 A3	
				engr	Bob Gu	2020-04-21			type Product Customer Drawing	
				chr	LQ Lei	2020-04-21				
				appd	Tim Yao	2020-04-21				
sheet index	revision sheet	A 1~7	B 1~7	C 1~7	D 2					

PRODUCT NUMBER
SEE TABLE

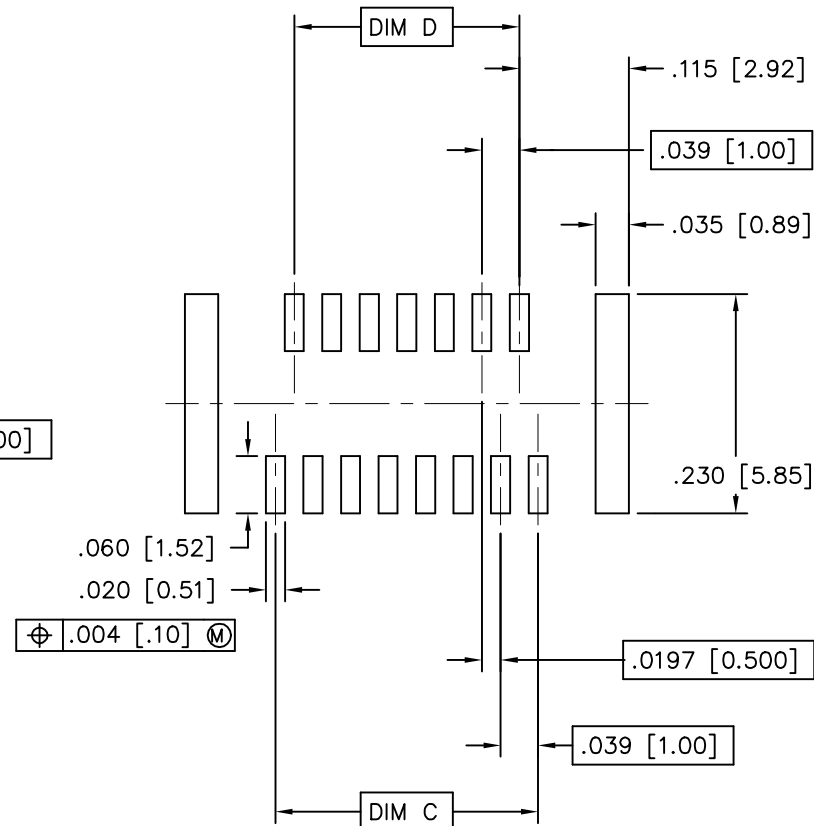


mat'l. code		surface ISO 1302 ✓	tolerance ISO 406 ISO 1101	projection 110°	product family CONAN HPL548
ltr	ecn no	dr	date	tolerances unless otherwise specified	title
D				mm	ASSEMBLY CONAN CONNECTOR
				angles linear	scale 1:1
				0°±2'	Amphenol FCI
		dr	J.ZHOU 2011-07-20		dwg no 10118744 sheet 2 of 7 size A3
		eng	Bob Gu 2020-04-21		type Product Customer Drawing
		chr	LQ Lei 2020-04-21		
		app	Tim Yao 2020-04-21		

PRODUCT NUMBER
SEE TABLE



RECOMMENDED
PAD LAYOUT
FOR RECEPTACLE



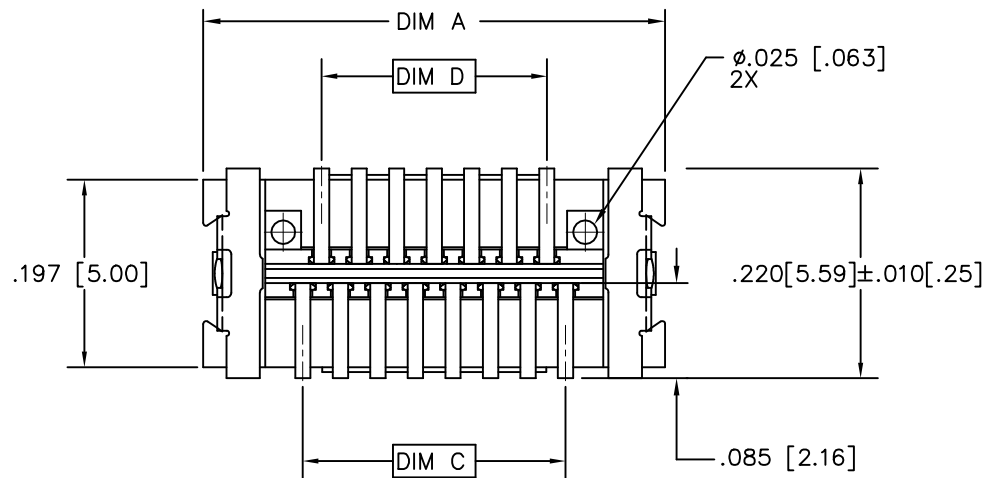
RECOMMENDED
STENCIL LAYOUT
FOR RECEPTACLE

Amphenol
FCI

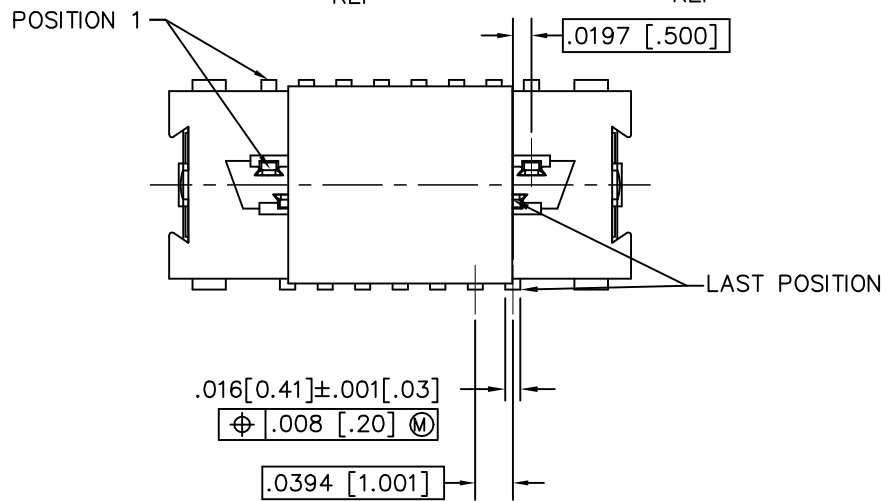
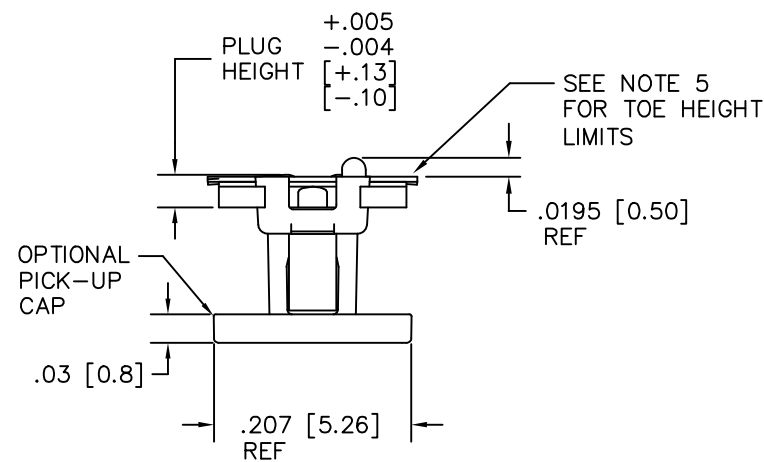
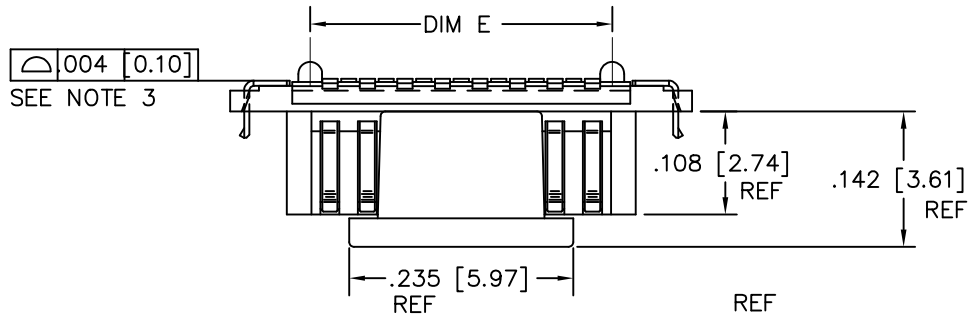
© 2016 AFCI

mat'l. code		surface ISO 1302 ✓		tolerance ISO 406 ISO 1101		projection 110°		product family CONAN HPL548	
ltr		ecn no		dr		date		title	
D								ASSEMBLY CONAN CONNECTOR	
				angles		linear		mm	
				0°±2°		.0±.3 .00±.13 .000±.05		scale 1:1	
		dr		J.ZHOU		2011-07-20		dwg no	
		engr		Bob Gu		2020-04-21		sheet 3 of 7	
		chr		LQ Lei		2020-04-21		size	
		appd		Tim Yao		2020-04-21		A3	
sheet index		revision		D				type	
		sheet		2				Product Customer Drawing	

PRODUCT NUMBER
SEE TABLE

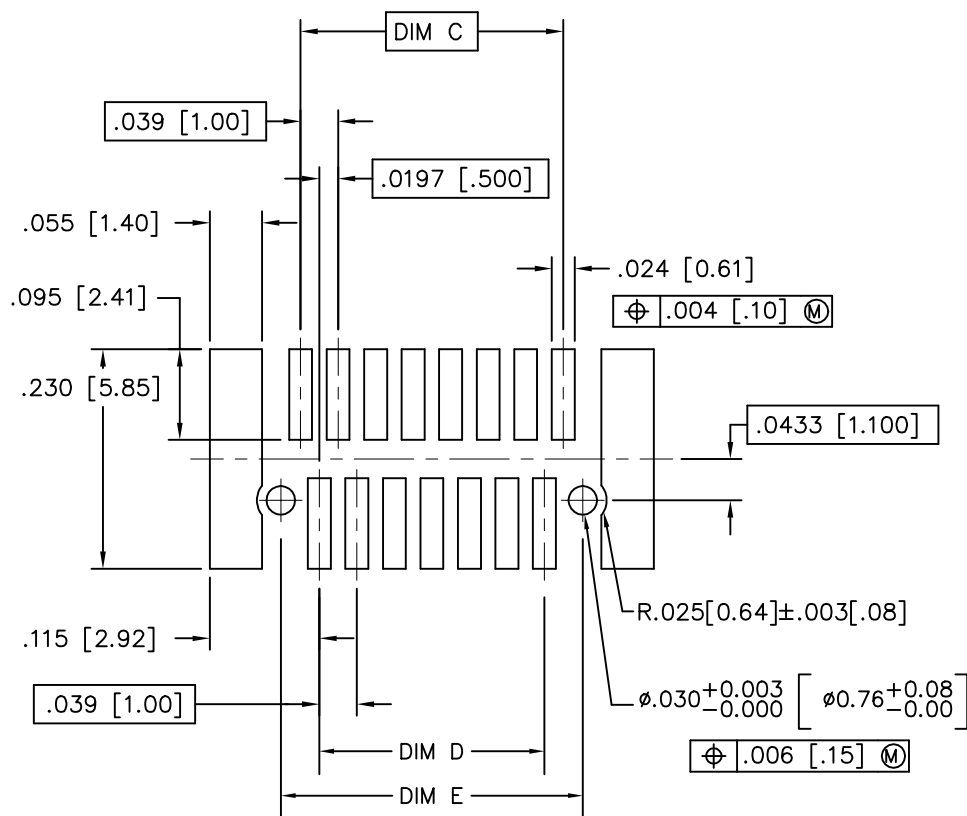


PLUG

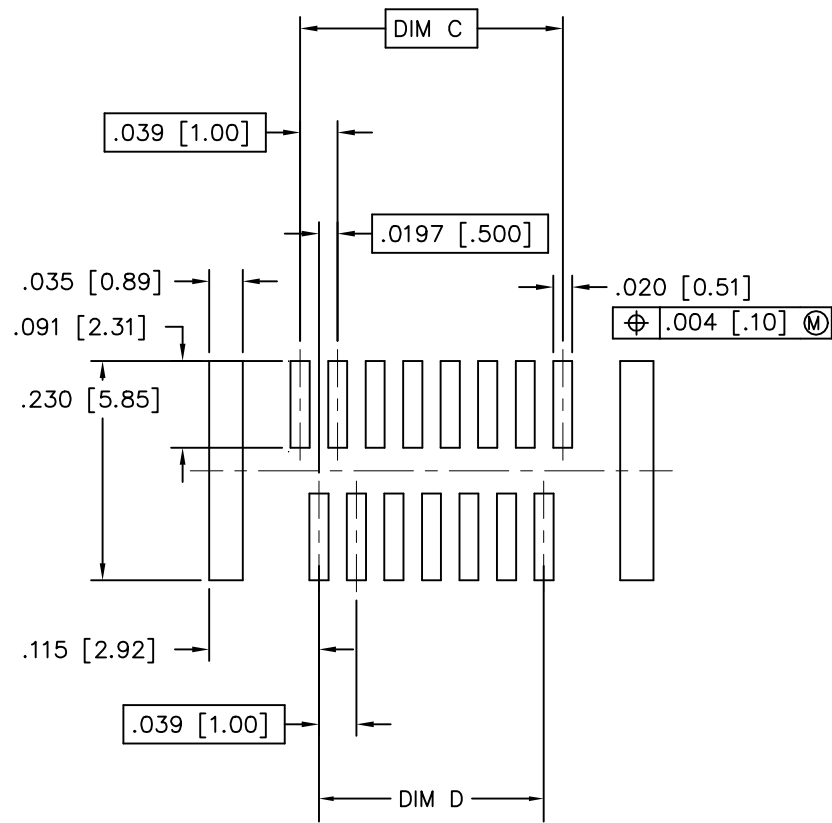


mat'l. code		surface ISO 1302 <input checked="" type="checkbox"/> ISO 406 ISO 1101		tolerance ISO 406 ISO 1101		projection 1101		product family CONAN HPL548	
ltr		ecn no		dr		date		title	
D				angles		linear		ASSEMBLY CONAN CONNECTOR	
				$0^\circ \pm 2^\circ$		mm		dwg no 10118744 sheet 4 of 7 size A3	
				dr J.ZHOU		2011-07-20		Amphenol FCI	
				engr Bob Gu		2020-04-21		type Product Customer Drawing	
				chr LQ Lei		2020-04-21			
				appd Tim Yao		2020-04-21			
sheet index		revision sheet		D					
		2							

PRODUCT NUMBER
SEE TABLE



RECOMMENDED
PAD LAYOUT
FOR PLUG



RECOMMENDED
STENCIL LAYOUT
FOR PLUG

Amphenol
FCI

© 2016 AFCI

mat'l. code		surface ISO 1302 ✓		tolerance ISO 406 ISO 1101		projection 1101		product family CONAN HPL548	
ltr		ecn no		dr		date		title	
D				angles		linear		ASSEMBLY CONAN CONNECTOR	
				0°±2°		.0±.3 .00±.13 .000±.05		mm	
				dr		J.ZHOU 2011-07-20		scale 1:1	
				engr		Bob Gu 2020-04-21		Amphenol FCI	
				chr		LQ Lei 2020-04-21		dwg no	
				appd		Tim Yao 2020-04-21		sheet 5 of 7	
sheet index		revision sheet		D				size	
		2						A3	
								type Product Customer Drawing	

PRODUCT NUMBER	POS	DIM "A"	DIM "C"	DIM "D"	DIM "E"
10118744 -TCWXY09LF	9	.366 [9.30]	.157 [4.00]	.118 [3.00]	.1990 [5.055]
-TCWXY11LF	11	.406 [10.30]	.197 [5.00]	.157 [4.00]	.2380 [6.045]
-TCWXY15LF	15	.484 [12.30]	.276 [7.00]	.236 [6.00]	.3170 [8.052]
-TCWXY21LF	21	.602 [15.30]	.394 [10.00]	.354 [9.00]	.4350 [11.049]
-TCWXY25LF	25	.681 [17.30]	.472 [12.00]	.433 [11.00]	.5140 [13.056]
-TCWXY31LF	31	.800 [20.30]	.591 [15.00]	.551 [14.00]	.6320 [16.053]
-TCWXY41LF	41	.996 [25.30]	.787 [20.00]	.748 [19.00]	.8290 [21.057]
-TCWXY51LF	51	1.193 [30.30]	.984 [25.00]	.945 [24.00]	1.0260 [26.060]
-TCWXY69LF	69	1.547 [39.30]	1.339 [34.00]	1.299 [33.00]	1.3800 [35.052]

NOTES:

1. MATERIALS:

RECEPTACLE HOUSING - LCP, UL-94V-0. COLOR: NATURAL.

RECEPTACLE TERMINALS - COPPER ALLOY, PLATED WITH GOLD OR GXT IN CONTACT AREA AND 100u"/2.54u Sn ON SOLDER LEGS WITH AN OVERALL 50u"/1.27u Ni UNDERPLATE.

PLUG HOUSING - LCP, UL-94V-0. COLOR: NATURAL.

PLUG TERMINALS - COPPER ALLOY, PLATED WITH GOLD OR GXT IN CONTACT AREA AND 100u"/2.54u Sn ON SOLDER LEGS WITH AN OVERALL 50u"/1.27u Ni UNDERPLATE.

RETENTION DEVICE - BRASS, PLATED WITH 100u"/2.54u Sn OVER NICKEL.

2. REFERENCE GS-12-0977 FOR PRODUCT PERFORMANCE AND ENVIRONMENTAL RESISTANCE DATA.

3. SEE TA-774 FOR FURTHER DESCRIPTION OF HOW THIS DIMENSION IS APPLIED.

4. RECOMMENDED SOLDER PASTE THICKNESS IS .006 TO .008 INCHES THICK.

5. THE TOE HEIGHT OF THE SOLDER TAIL SHALL BE MEASURED FROM THE LOWEST POINT OF THE .004 CO-PLANARITY GRAVITY PLANE. THIS MEASUREMENT IS NOT TO EXCEED A WINDOW OF .000 TO .007 INCHES.

6. THREE SLOTS MAY BE LOCATED AT EITHER END OF HOUSING.

7. THE HOUSING WILL WITHSTAND EXPOSURE TO 260°C PEAK TEMPERATURE FOR 30 SECONDS IN A CONVECTION INFRA RED OR VAPOR PHASE REFLOW OVEN. SEE APPLICATION/PROCEDURES IF THEY ARE AVAILABLE

8. PRODUCT WITH "LF" AT THE END MEETS EUROPEAN UNION DIRECTIVES AND OTHER COUNTRY REGULATION AS DESCRIBED IN GS-22-008.

Amphenol FCI

© 2016 AFCI

mat'l. code		surface	tolerance	projection	product family
		ISO 1302 ✓	ISO 406 ISO 1101		CONAN HPL548
ltr	ecn no	dr	date	tolerances unless otherwise specified	title
D				.0±.3 linear .00±.13 mm .000±.05 scale 1:1	ASSEMBLY CONAN CONNECTOR
		dr	J.ZHOU	2011-07-20	dwg no
		engr	Bob Gu	2020-04-21	sheet 6 of 7
		chr	LQ Lei	2020-04-21	size
		appd	Tim Yao	2020-04-21	10118744
					type Product Customer Drawing
sheet index	revision	D			
	sheet	2			

PRODUCT NUMBER
SEE TABLE

CONAN[®] ASSEMBLY PART NUMBER

10118744 - T C W 3 Y ZZ LF

LEAD FREE
SEE NOTE 8

TYPE	T
PLUG WITH PEGS	1
RECEPTACLE WITH PEGS	3

Y	PLUG HEIGHT	RECEPTACLE HEIGHT	MATED HEIGHT +.010 -.008 [+.25] [-.20]
1	.034 [.86]	.129 [3.28]	.163 [4.15]
2	.048 [1.23]	SEE Y=1 FOR ALL RECEPTACLES	.177 [4.50]
3	.068 [1.73]		.197 [5.00]
4	.107 [2.72]		.236 [6.00]
5	.1465 [3.721]		.276 [7.00]

ZZ	NUMBER OF POSITIONS
09	9
11	11
15	15
21	21
25	25
31	31
41	41
51	51
69	69

PICK AND PLACE CAP OR TAPE	C
WITH CAP	1

PACKAGING	W
PRESSURE SEALED TAPE & REEL	3

EXAMPLE: 10118744-3131125LF
IS A CONAN[®] RECEPTACLE ASSEMBLY,
HAVING PEGS AND WITH A PICK AND PLACE CAP.
IT IS .13 [3.2] HIGH AND 25 POSITIONS AND IS
PACKAGED IN PRESSURE SEALED TAPE, REEL AND LEAD FREE.

Amphenol
FCI

© 2016 AFCI

mat'l. code		surface ISO 1302 ✓	tolerance ISO 406 ISO 1101	projection 110°	product family CONAN HPL548
ltr	ecn no dr date	tolerances unless otherwise specified		mm	title ASSEMBLY CONAN CONNECTOR
D		angles	.0±.3	linear	dwg no 10118744
		0°±2°	.00±.13	scale 1:1	sheet 7 of 7 size A3
		dr	.000±.05		type Product Customer Drawing
		engr			
		chr			
		appd			
sheet index	revision sheet	D			
	2				