

F

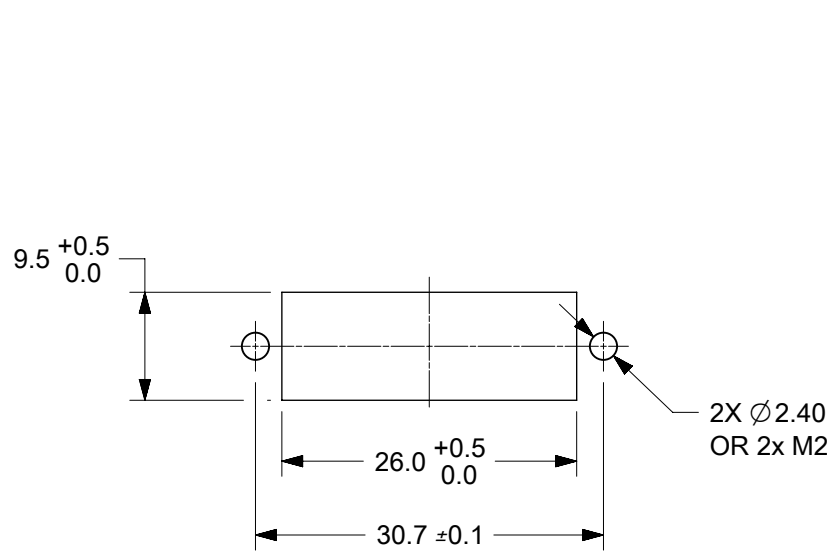
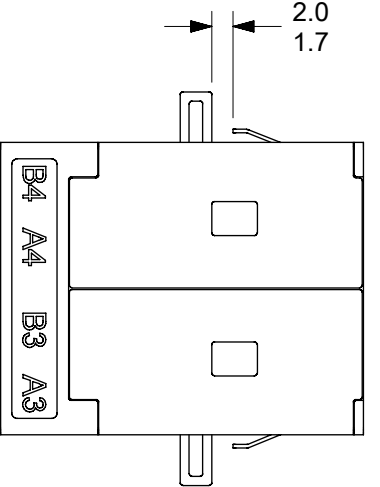
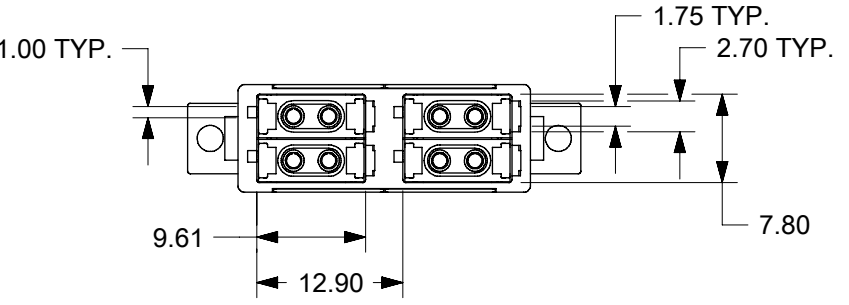
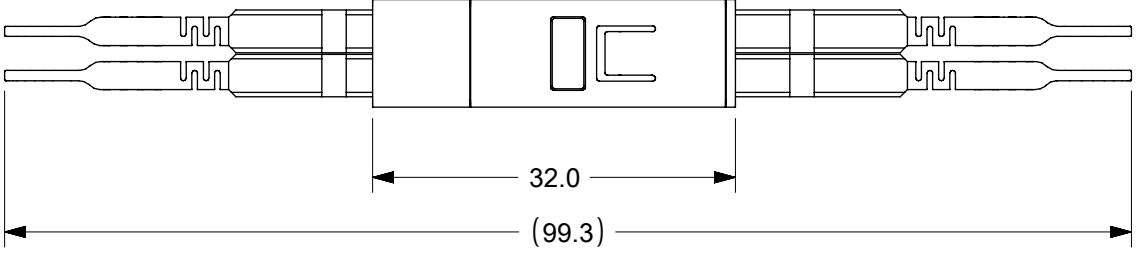
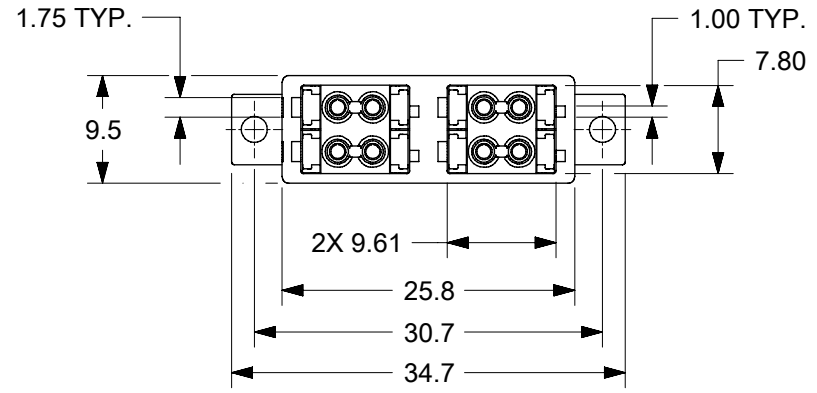
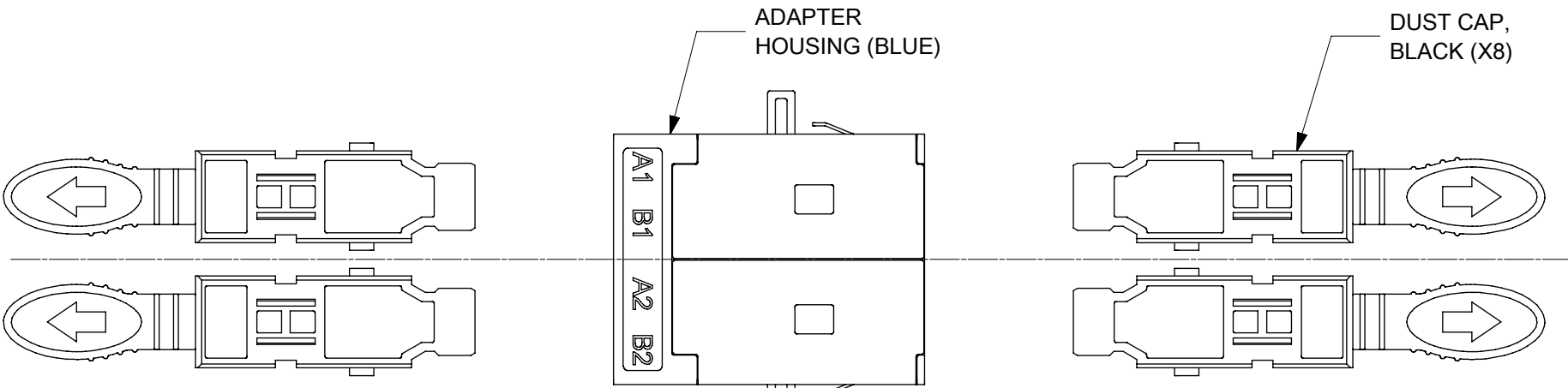
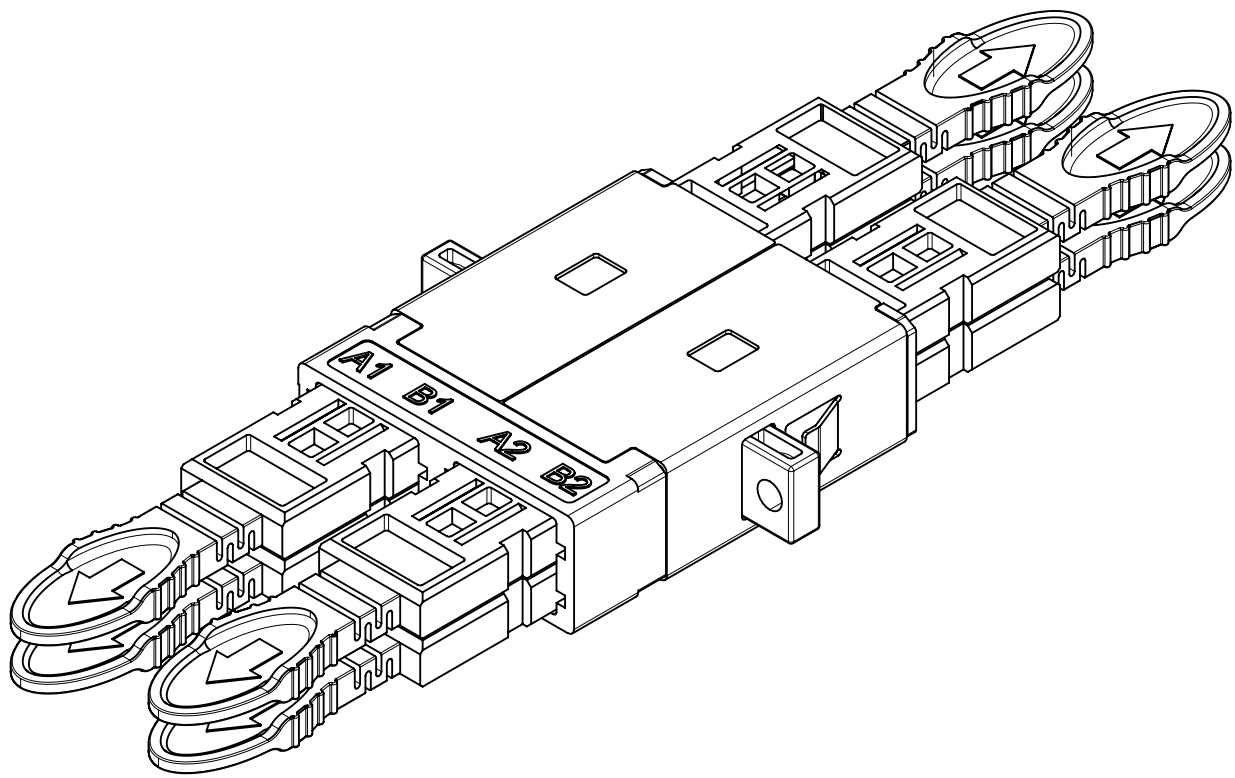
E

D

C

B

A



RECOMMENDED MOUNTING HOLE DIMENSIONS

FUNCTIONAL SYMBOLS $\nabla = 0$ $\nabla = 0$ $\nabla = 0$	THIS DRAWING CONTAINS INFORMATION THAT IS PROPRIETARY TO MOLEX ELECTRONIC TECHNOLOGIES, LLC AND SHOULD NOT BE USED WITHOUT WRITTEN PERMISSION		CURRENT REV DESC:						
	mm	NTS	EC NO: 644496			SN 4CH (8F) ADAPTER, SC FOOTPRINT, WITH FLANGE			
	GENERAL TOLERANCES (UNLESS SPECIFIED)		DRWN: IGUMIN 2020/07/01						
	ANGULAR TOL ± °		CHK'D: GGENCHANOK 2020/09/03						
DIVISIONAL SYMBOLS 4 PLACES ± 3 PLACES ± 2 PLACES ± 0.1 1 PLACE ± 0.2 0 PLACES ±	DRAFT WHERE APPLICABLE MUST REMAIN WITHIN DIMENSIONS		THIRD ANGLE PROJECTION	DRAWING	SERIES	MATERIAL NUMBER	CUSTOMER	SHEET NUMBER	
				B-SIZE	106200	1062000203		1 OF 1	

F

E

D

C

B

A