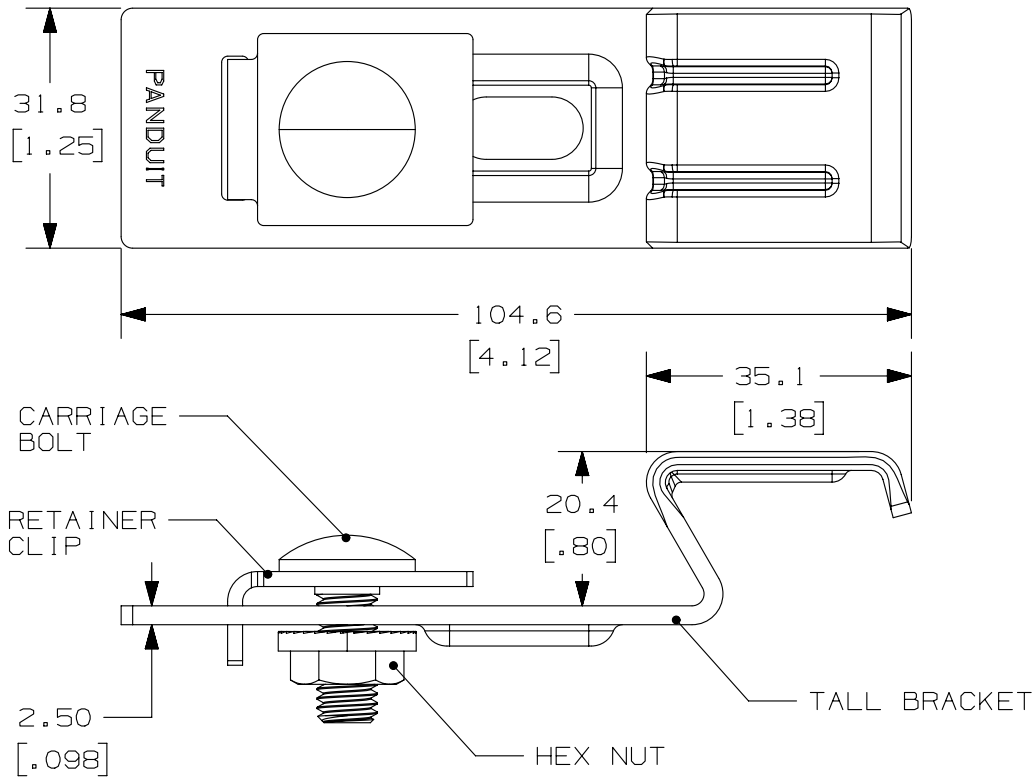


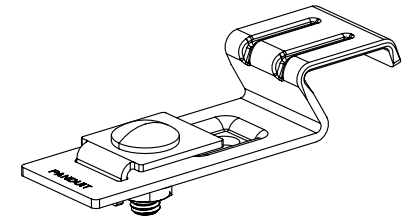
THIS COPY IS PROVIDED ON A RESTRICTED BASIS AND IS NOT TO BE USED IN ANY WAY DETRIMENTAL TO THE INTERESTS OF PANDUIT CORP.



PANDUIT P/N	MATERIAL	WEIGHT / PC
UCIB1-V316	316 STAINLESS STEEL	103.5 g [.228 lbs]
UCIB1-VC	COMMERCIAL STEEL / GALVANIZED	107.8 g [.238 lbs]

NOTES:

1. PRIMARY DIMENSIONS IN METRIC (mm). DIMENSIONS IN [] ARE ENGLISH (in).
2. THIS PRODUCT INTENDED FOR USE WITH I-BEAM STYLE LADDER RUNG IN GALVANIZED STEEL, STAINLESS STEEL, OR ALUMINUM CONSTRUCTIONS.
3. EACH ASSEMBLY INCLUDES:
 (1) TALL BRACKET PIECE
 (1) RETAINER CLIP
 (1) M8 X 1.25 X 20mm CARRIAGE BOLT
 (1) SERRATED-FLANGE HEX NUT



REV	DATE	BY	CHK	APR	DESCRIPTION	ECN
-	-----	----	----	----	RELEASED TO PRODUCTION	-----
1	06-12-14	RMHI	RMHI	RGRO	B. UPDATED WEIGHTS IN TABLE A. REVISED TITLE	12L025AW-DC
R	04-30-14	JBN	RMHI		DRAWING RELEASED	

TITLE		UNICLIP I-BEAM BRACKET UCIB1	
CUSTOMER DRAWING			
ITEM REVISION NAME		12L025AW/04	
DATASET FILE NAME		12L025AW_DC/04B	
UNLESS OTHERWISE SPECIFIED, DIMENSIONAL TOLERANCES ARE: mm [IN]		SEE CHART	
.x ± .3 [.01] .xxx ± .127 [.005]		DRAWING NUMBER:	
.xx ± .25 [.010] ANGLES ± 5 °		12L025AW-DC	
THIRD ANGLE PROJECTION		SHT 1 OF 1	
DRAWN BY	DATE	CHK	SCALE
JBN	04-30-14	RMHI	N.T.S.
SIZE		A	